

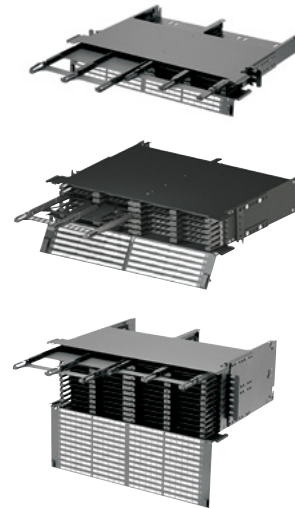
HD Flex™ Fiber Enclosures

specifications

The HD Flex enclosure shall house, organize, manage and protect fiber optic trunk cables, terminations, splices, connectors and patch cords as well as accommodate all HD Flex cassettes and fiber adapter panels (FAP). The HD Flex Enclosures provide front access with drawers that slide out into two locked positions, regardless of how many enclosures are stacked together. The Enclosure trays have a unique split tray feature that allows for half of the tray to operate independently, which is an ideal option for maintainability as well as redundant networks.

The Enclosures allow cassettes and FAPs to be installed by dropping them into the front of the enclosure tray or sliding them into the rear of the enclosure tray. This allows each individual cassette or FAP to be removed with minimal disruption to other cassettes or FAPs.

The Enclosures are constructed of steel material and can be ordered in either 4-port, 6-port or 12-port configurations that accept combinations of either 4-port, 6-port cassettes and 12-port cassettes respectively.



technical information

Mounting:	Integral mounting flange for installation in 19" wide EIA-310 racks
Material:	Steel and plastic

key features and benefits

Modular design accepts up to 12 HD Flex Fiber Cassettes or Fiber Adapter Panels per rack unit	Provides higher patch field density in fewer rack units saving valuable rack space
Compatible with all HD Flex Fiber Cassettes and Fiber Adapter Panels	Provides versatility and flexibility with a fully modular solution for a variety of pre-terminated installations
Rack/Cabinet Rail Mounting Cable Management Bracket	Provides template for additional mounting of cables, moving cable from back of enclosure to side of enclosure resulting in easy access to connections for improved serviceability
Front and Rear Accessible Enclosure Tray	Allows access to connections from front or rear of rack/cabinet facilitating easy moves, adds and changes without disruption of network connections
Front Drop In and Rear Slide Out Mounting of Cassettes and Fiber Adapter Panels	Allows access to cassettes without fully sliding out cable management plate
Split Enclosure Tray	Allows each half of tray to operate independently providing improved reliability and serviceability of redundant network connections
Multi-positional Enclosure Tray	Allows tray to be locked in two extended positions resulting in improved access when patching and maintaining network connections
Convertible between 4-port, 6-port and 12-port Cassettes and Fiber Adapter Panels	Accommodates current and future optical connectivity options, duplex, and parallel fiber

applications

HD Flex Fiber Optic Enclosures provide a system for managing fiber terminations, connections, and patching in all types of applications. The enclosures are a component of the HD Flex Fiber Cabling System. They are ideal for fast, flexible and reliable patch field solutions within main, horizontal and/or equipment distribution areas (MDA, HDA and EDA).

HD Flex Fiber Enclosures*

1 RU 4-port enclosure:	FLEX1U04
1 RU 6-port enclosure:	FLEX1U06
1 RU 12-port enclosure:	FLEX1U12
2 RU 4-port enclosure:	FLEX2U04
2 RU 6-port enclosure:	FLEX2U06
2 RU 12-port enclosure:	FLEX2U12
4 RU 4-port enclosure:	FLEX4U04
4 RU 6-port enclosure:	FLEX4U06
4 RU 12-port enclosure:	FLEX4U12

HD Flex Trunk Slack Plates+*

1RU:	FLEX-PLATE1U
2RU:	FLEX-PLATE2U
4RU:	FLEX-PLATE4U

HD Flex Enclosure Trunk Slack Plate and Cover Kits^#

1RU:	FLEX-PLATE1UR
2RU:	FLEX-PLATE2UR
4RU:	FLEX-PLATE4UR

HD Flex Trunk Cable Managers

Universal Trunk Managers 12-fiber transition capacity:	FLEX-CM12S
18-fiber transition capacity:	FLEX-CM18S
PatchRunner™ Trunk Managers 12-fiber transition capacity:	FLEX-CM12C
18-fiber transition capacity:	FLEX-CM18C

HD Flex Rail Kits

4-port Rail:	FLEX-RAIL04EN
6-port Rail:	FLEX-RAIL06EN

HD Flex Trunk Transition Clips

12-fiber capacity:	FLEX-CLIP12
18-fiber capacity:	FLEX-CLIP18

HD Flex Blanking Panels

4-port Filler Panel:	FHSBBL04W
6-port Filler Panel:	FHSBBL06W

* Add WH at end of the part number for white.
+ These plates are standalone and are not compatible with covers. If a cover is required then the kits with a plate and cover should be ordered.

^ The plate and cover kits are ordered to protect the trunk cables. The covers are not sold separately.

Add W at the end of the part number for white

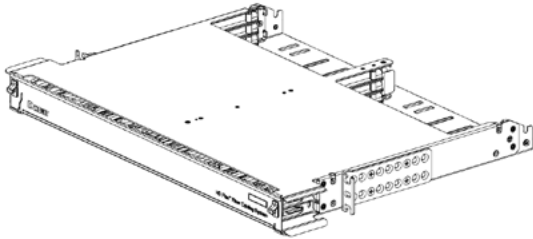
HD Flex Fiber Enclosure

fiber capacity

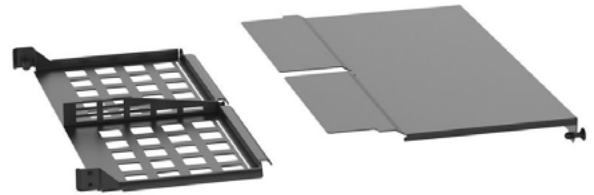
Description	Enclosure		
	1 RU	2 RU	4 RU
Cassettes: MPO to Duplex LC	144	288	576
FAP: 12F MPO	864	1728	3456
FAP: 24F MPO	1728	3456	6912

For dimensions, please go to www.panduit.com/hdflex for the part drawings.

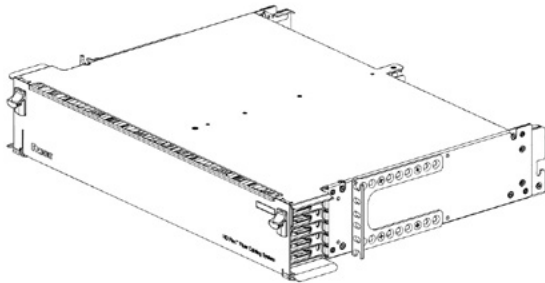
hd flex fiber enclosure



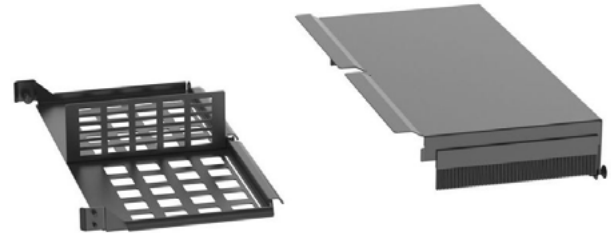
FLEX1U04, FLEX1U06, FLEX1U12



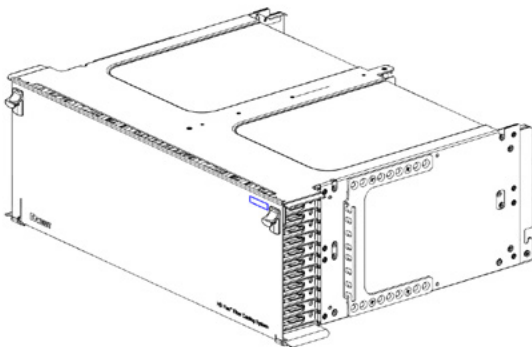
FLEX-PLATE1UR



FLEX2U04, FLEX2U06, FLEX2U12



FLEX-PLATE2UR



FLEX4U04, FLEX4U06, FLEX4U12



FLEX-PLATE4UR

WORLDWIDE SUBSIDIARIES AND SALES OFFICES

PANDUIT US/CANADA
Phone: 800.777.3300

PANDUIT EUROPE LTD.
London, UK
Phone: 44.20.8601.7200

PANDUIT SINGAPORE PTE. LTD.
Republic of Singapore
Phone: 65.6305.7575

PANDUIT JAPAN
Tokyo, Japan
Phone: 81.3.6863.6000

PANDUIT LATIN AMERICA
Guadalajara, Mexico
Phone: 52.33.3777.6000

PANDUIT AUSTRALIA PTY. LTD.
Victoria, Australia
Phone: 61.3.9794.9020

For a copy of Panduit product warranties, log on to www.panduit.com/warranty

PANDUIT®

For more information
Visit us at www.panduit.com
Contact Customer Service by email: cs@panduit.com
or by phone: 800.777.3300

© 2023 Panduit Corp.
ALL RIGHTS RESERVED.
FBSP92-WW-ENG
04/2023