

THIS COPY IS PROVIDED ON A RESTRICTED BASIS AND IS NOT TO BE USED IN ANY WAY DETRIMENTAL TO THE INTERESTS OF PANDUIT CORP.

PANDUIT P/N	WEIGHT
ACF05	0.55kg

SPECIFICATION:

- STANDARD
 - HUMIDITY MEASURING RANGE: 10-90% RH
 - HUMIDITY MEASUREMENT ACCURACY: ± 5% RH
 - HUMIDITY ACCURACY RANGE: OVER THE MEASUREMENT RANGE, 0°C TO 65°C
 - HUMIDITY OPERATING RANGE: 10-90% RH, NON-CONDENSING
 - OPERATIONAL VOLTAGE: 5 ± 0.5 VOLTS DC
 - MAX INPUT CURRENT: 680 mA
 - MAX INRUSH CURRENT: 970mA @ LESS THAN 1ms
 - HANDLE HOUSING MATERIAL: GLASS FILLED NYLON
 - HANDLE HOUSING COLOR: BLACK
 - iPDU INTERFACE RECEPTACLE: JST BM04B-GHS-TBT
 - SENSOR INTERFACE RECEPTACLE: JST BM08B-GHS-TBT
 - PANEL CUTOUT: 25mm +0.3/-0mm X 150mm +0.3/-0mm
 - PANEL THICKNESS: 1mm TO 2.5mm
- ADDITIONAL:
 - KEY CAN ONLY BE INSERTED/REMOVED IN LOCKED POSITION.
 - HANDLE ROTATION: 'COUNTERCLOCKWISE TO OPEN' (ALSO REVERSIBLE)
- ACCESSORY COMPONENTS:
 - STANDARD KEY, QTY: (1)
 - EXTENDED ROTATION LIMITER, QTY: (1)
 - OFFSET CAM, QTY: (1)
 - TOP MOUNTING BRACKET, QTY: (1)
 - BOTTOM MOUNTING BRACKET, QTY: (1)
 - M3.5X15 SELF-TAPPING SCREW, QTY: (2)
 - M3X20 SELF-TAPPING SCREW, QTY: (2)
 - M3.5X12 COUNTERSUNK HEAD TAPPING SCREW, QTY: (2)
 - INSTALLATION GUIDE, QTY: (1)
- SUPPORTS DECODING OF THE DATA FLOW IN THE FOLLOWING SUPPORTED RFID CARD STANDARDS:
 - MIFARE CLASSIC 4K
 - MIFARE PLUS 2K
 - MIFARE DESFIRE 4K
 - HID iCLASS
 - HID 125 kHz PROX
 - EM 125 kHz PROX

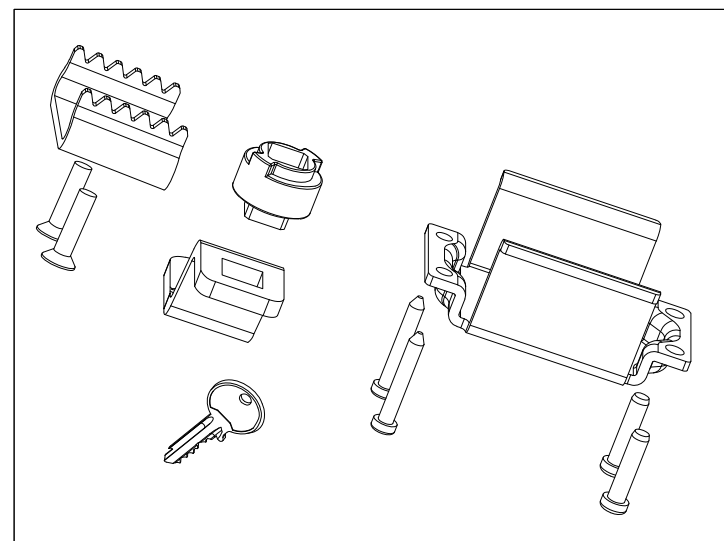
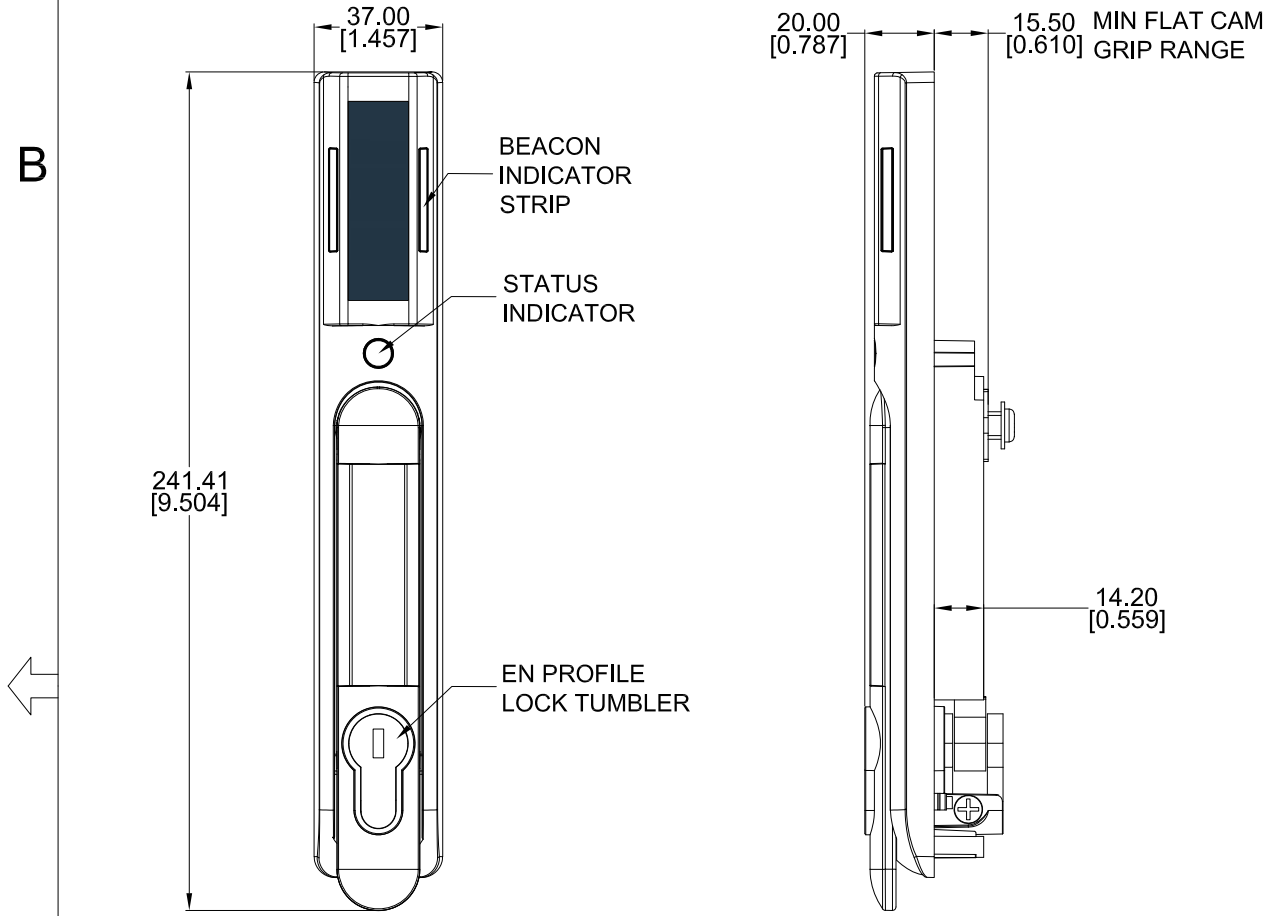
NOTES:

- PRIMARY DIMENSIONS ARE IN MILLIMETERS. SECONDARY DIMENSIONS ARE IN INCHES
- INSTALLATION SHALL COMPLY WITH ALL APPLICABLE NATIONAL, STATE, AND LOCAL CODES
- VISIT OUR ON-LINE CATALOG AT WWW.PANDUIT.COM FOR A CURRENT LIST OF PRODUCTS APPLICABLE FOR USE WITH THIS PART
- SMART ZONE HANDLE IS ONLY COMPATIBLE WITH SMARTZONE G5 PDU'S WITH FIRMWARE VERSION 3.X.X OR LATER.

IDENTIFICATION

PART NUMBER
ACF05

DESCRIPTION
SZ SECURITY HANDLE WITH INTEGRAL HUMIDITY SENSOR



ACCESSORY COMPONENTS

REV	DATE	BY	CHK	APR	DESCRIPTION	ECN
04A	01/22/2021	NW	GLM	JAW	UPDATED NOTE, HANDLE NAME AND CURRENT VALUE	ACF05
03A	06/16/2020	NW	GLM	JAW	UPDATED HUMIDITY MEASUREMENT ACCURACY AND ACCURAY RANGE	ACF05
02A	03/05/2020	NW	GLM	JAW	UPDATED PRODUCT DESCRIPTION	ACF05
01A	01/11/2020	NW	GLM	JAW	UPDATED ACCESSORY COMPONENTS AND TITLE	ACF05
00A	10/18/2019	NW	GLM	JAW	INITIAL RELEASE	ACF05

WE ASK THAT YOU CHECK FULLY THE DIMENSIONS, NOTES, AND SIGN THE CLIENT SIGNATURE BOX. THE JOB WILL NOT PROGRESS WITHOUT SIGNED APPROVAL. PLEASE DO NOT DELAY IN RETURNING PROOF AS IT WILL AFFECT DELIVERY		SIGN
		DATE
		PRINT
TITLE: SZ SECURITY HANDLE WITH INTEGRAL HUMIDITY SENSOR		
CUSTOMER DRAWING		
ITEM REVISION NAME:	PANDUIT	
DATASHEET FILE NAME:		
UNLESS OTHERWISE SPECIFIED DIMENSIONAL TOLERANCE ARE: mm [IN]		MATERIAL/COLOR: N/A
THIRD ANGLE PROJECTION		DRAWING NUMBER: ACF05_DC
DRAWN BY	DATE	SCALE
NW	10/18/2019	NONE
CHK	SCALE	SHT 1 OF 1
GLM	NONE	B