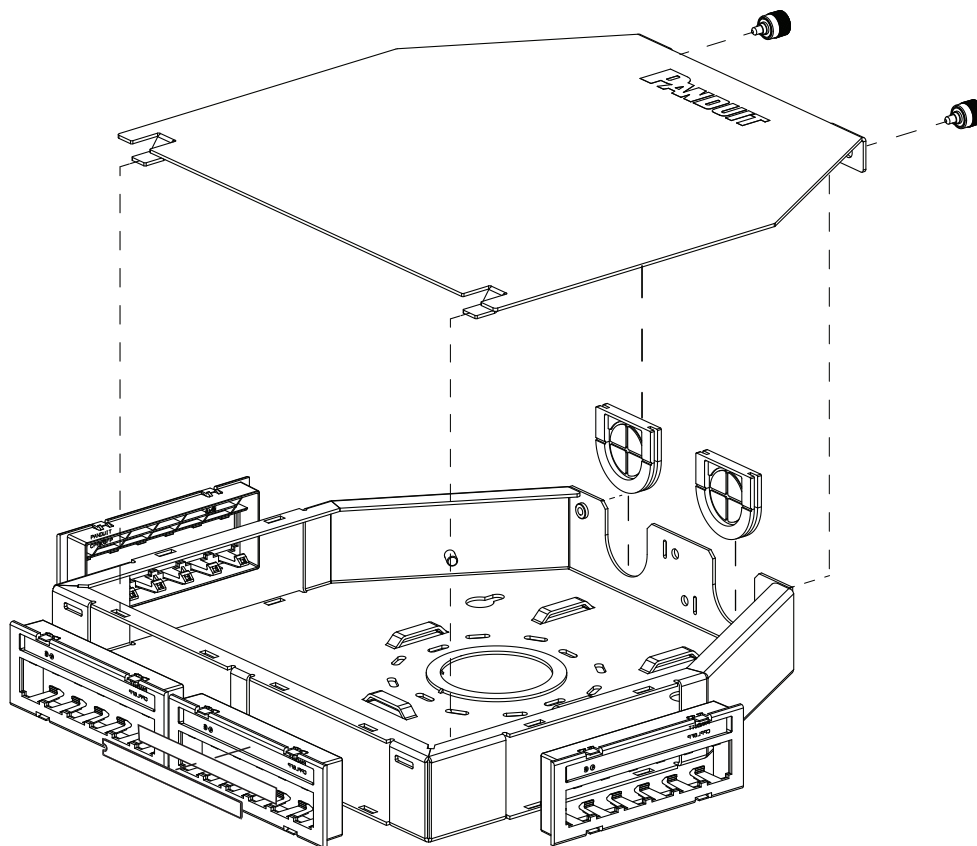
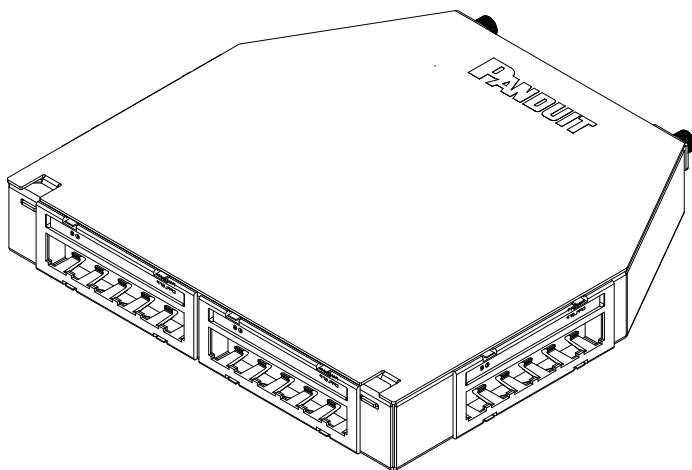


1.0 COMPONENT IDENTIFICATION

PARTS:

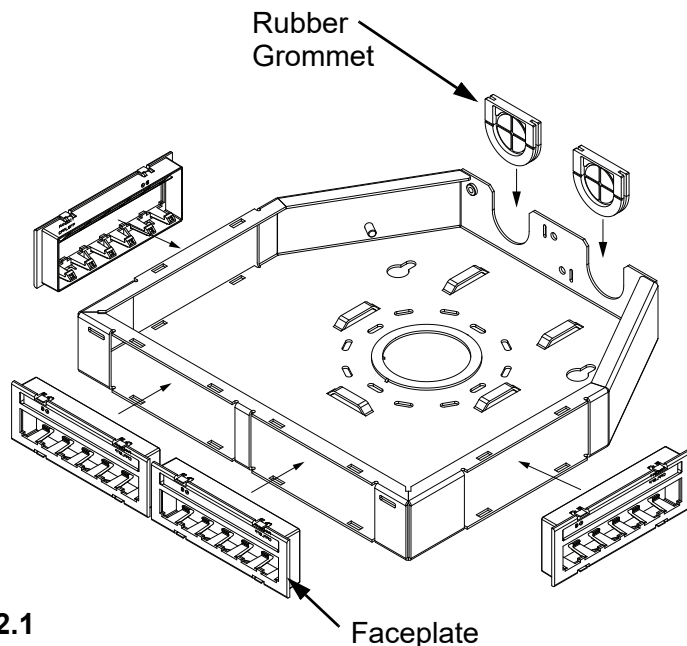
- (1) Metal box
- (1) Cover
- (4) Faceplate inserts (removable)
- (4) Labels and label covers
- (4) Tak-Tys
- (2) Rubber grommets

CUFMB24BL



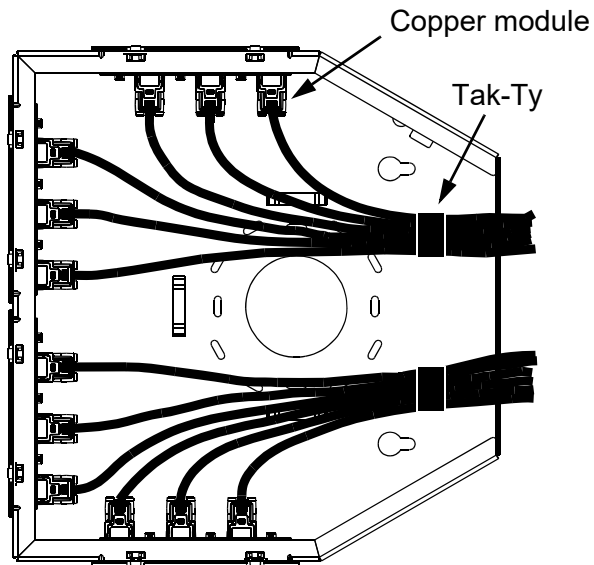
2.0 Box Assembly

- 2.1 Set box on flat work surface. Snap the (4) faceplate inserts in place. Label slots should be located above modules. Slide the Rubber grommets into the rounded openings.
- 2.2 Terminate copper modules. Snap modules into faceplate inserts.
- 2.3 Use Tak-tys to secure the cables to the raised tabs in the floor of the box.



2.1

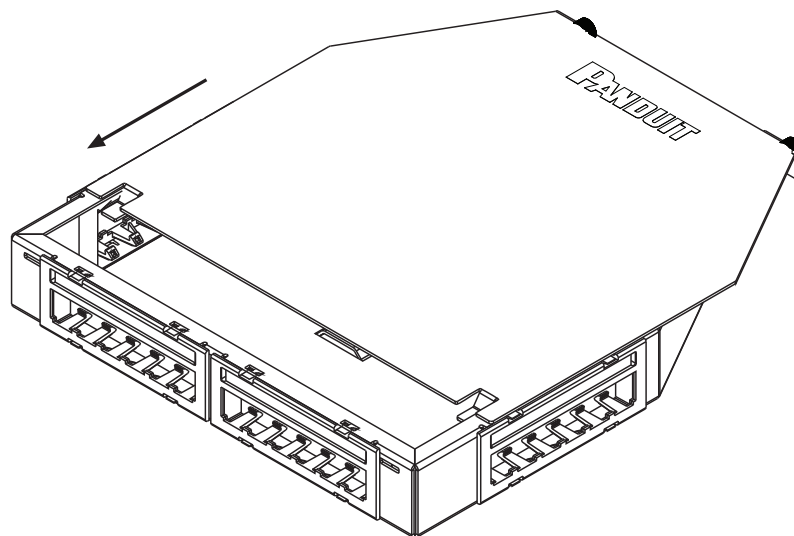
Faceplate



2.3

3.0 Cover Assembly

- 3.1 To install the cover, slide the cover tabs into slots, then twist both thumb screws to secure. To remove the cover, unscrew both thumb screws, then slide and lift cover out.



3.1