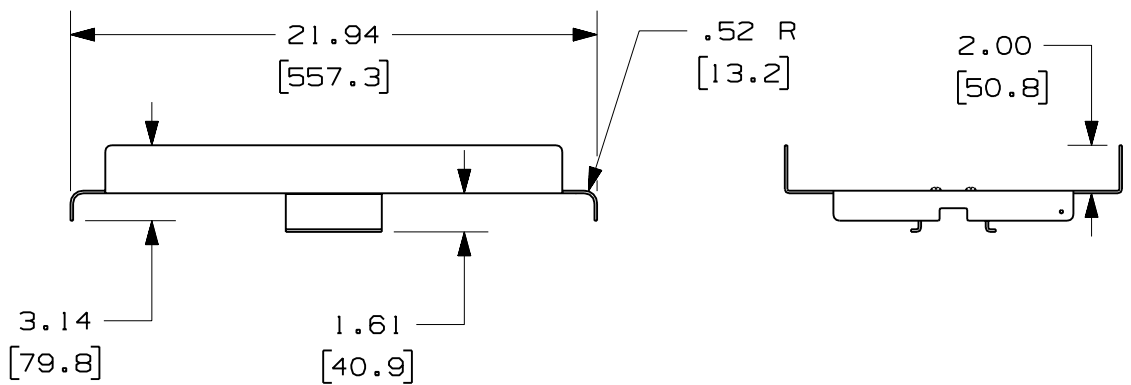
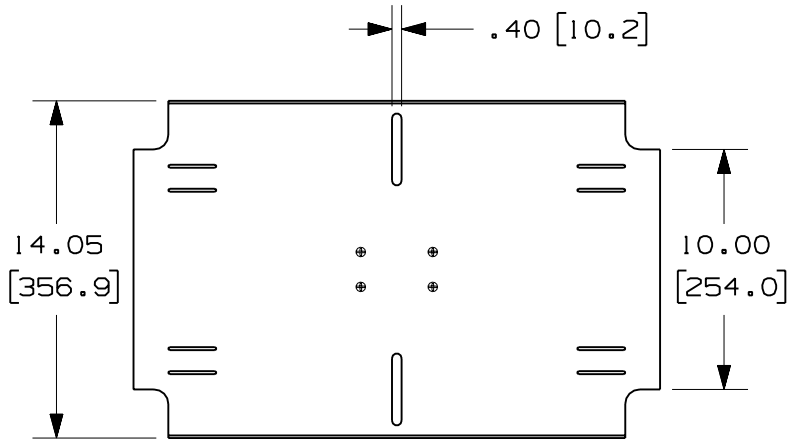


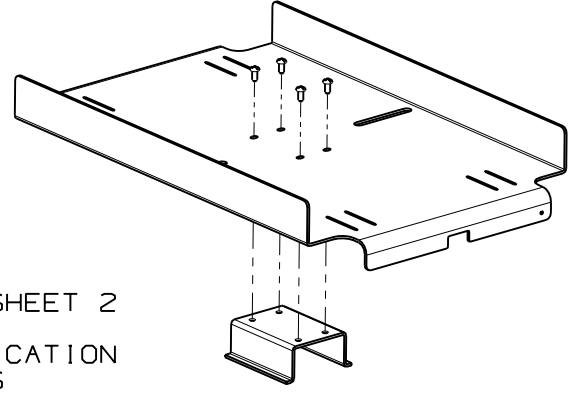
THIS COPY IS PROVIDED ON A RESTRICTED BASIS AND IS NOT TO BE USED IN ANY WAY DETRIMENTAL TO THE INTERESTS OF PANDUIT CORP.



PANDUIT PART NO.	WEIGHT
WMPV45ERTW	12.0 LBS/EACH 5.44 Kg/EACH

NOTES:

- VISIT OUR ON-LINE CATALOG AT WWW.PANDUIT.COM FOR A LIST OF CURRENT PARTS APPLICABLE FOR USE WITH THIS PRODUCT.
- DIMENSIONS IN PARENTHESIS ARE METRIC.
- COMPONENTS:
1- TROUGH
1- TROUGH MOUNTING BRACKET
4- #12-24 X 1/2" SCREWS



SEE SHEET 2 FOR APPLICATION VIEWS

MODEL FILENAME: V10409AA_WMPV45ERTW_TROUGH_ASSY_00.PRT
 CAD FILENAME/LAYERS: V10409AA_DC_00A.PRT

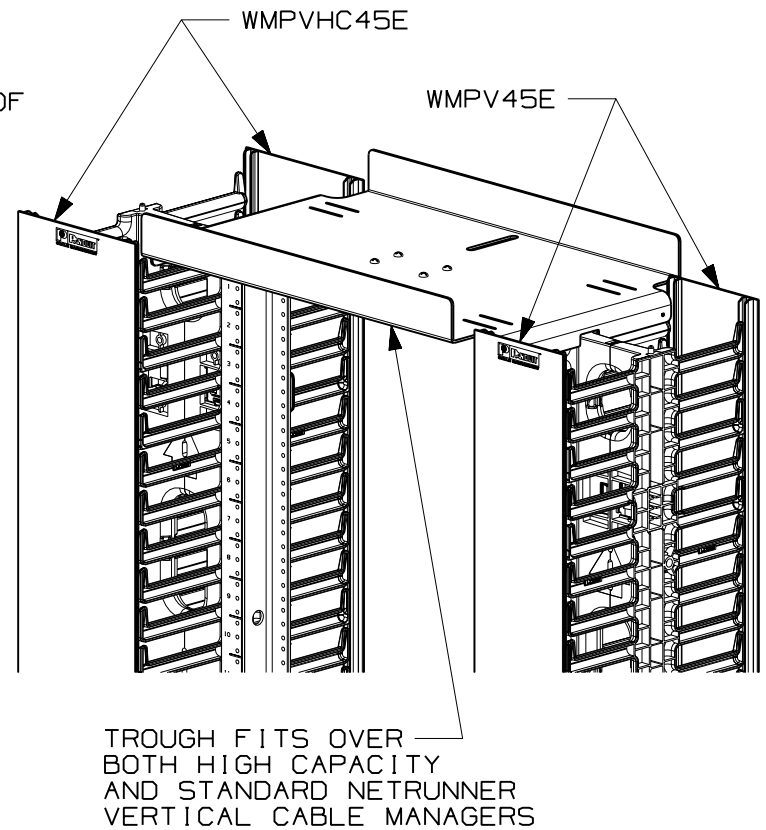
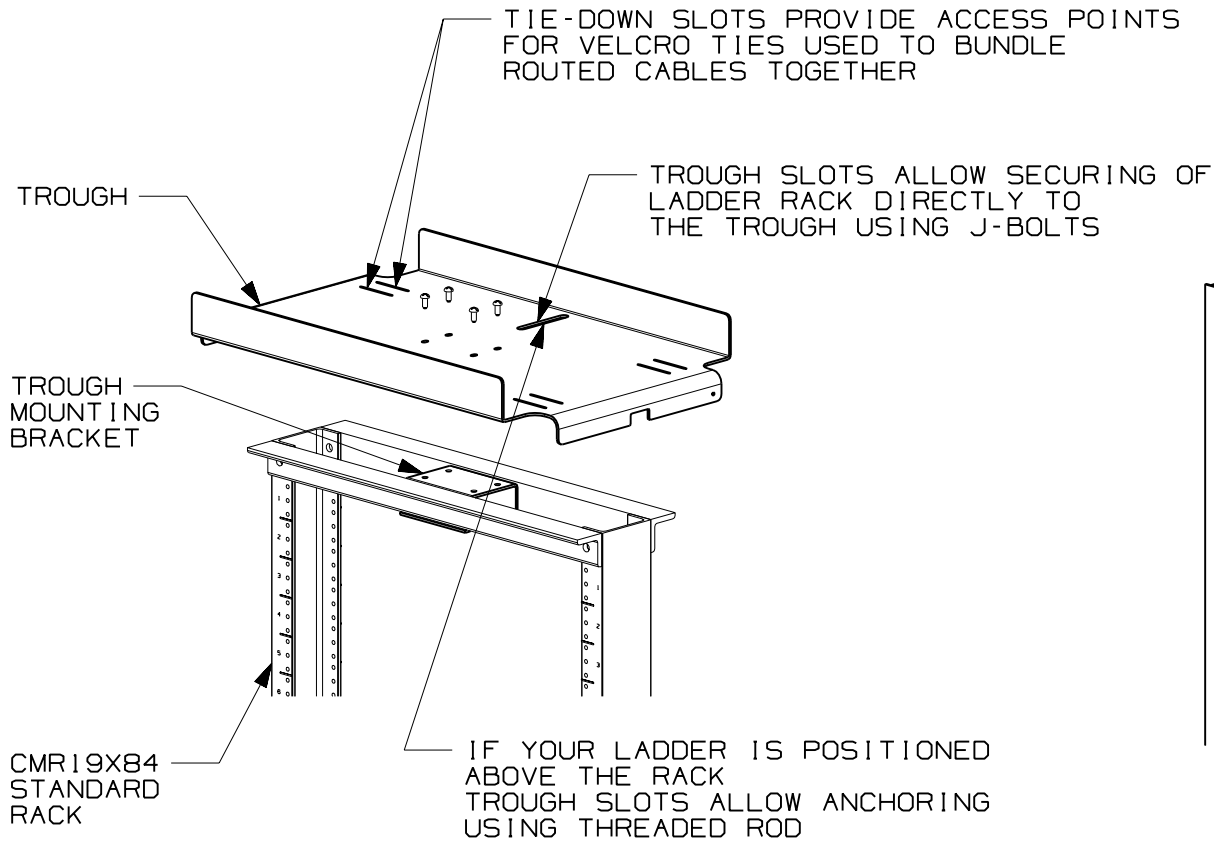
PANDUIT CORP. TINLEY PARK, ILLINOIS
 NETRUNNER OVERHEAD TROUGH (WMPV45ERTW)
 CUSTOMER DRAWING

UNLESS OTHERWISE SPECIFIED, DIMENSIONAL TOLERANCES ARE:
 INCHES: X.X +/- 0.03, X.XX +/- 0.015, X.XXX +/- 0.005
 [METRIC - MILLIMETER]: X +/- 0.8, X.X +/- 0.4, X.XX +/- 0.13
 ANGLE: +/- 1°
 UNLESS OTHERWISE SPECIFIED, ALL DIMENSIONS ARE GIVEN IN INCHES, THIRD ANGLE PROJECTION.

REV	DATE	BY	CHK	DESCRIPTION	ECN	R	CUST	SUP	OTH
00	12-14-06	TKW		RELEASED TO PRODUCTION	10409-03				

DRAWN BY: TKW	MAT'L: SEE NOTES	SCALE: NONE
DATE: 12-14-06		DRAWING NO.: 10409-03
CHK'D:		SHEET 1 OF 2
		DWG SIZE: A

THIS COPY IS PROVIDED ON A RESTRICTED BASIS AND IS NOT TO BE USED IN ANY WAY DETRIMENTAL TO THE INTERESTS OF PANDUIT CORP.



NETRUNNER OVERHEAD TROUGH CREATES PATHWAY ABOVE RACK, FOR USE WITH CMR19X84, WMPVHC45E, AND WMPV45E.

MODEL FILENAME
V10409AA_WMPV45ERTW_TROUGH_ASSY_00.PRT
CAD FILENAME/LAYERS
V10409AA_DC_00A.PRT

PANDUIT CORP. TINLEY PARK, ILLINOIS
NETRUNNER OVERHEAD TROUGH
(WMPV45ERTW)
CUSTOMER DRAWING

UNLESS OTHERWISE SPECIFIED, DIMENSIONAL TOLERANCES ARE:
 INCHES [METRIC - MILLIMETER] ANGLE
 X.X +/- 0.03 X +/- 0.8 +/- 1°
 X.XX +/- 0.015 X.X +/- 0.4
 X.XXX +/- 0.005 X.XX +/- 0.13

UNLESS OTHERWISE SPECIFIED,
ALL DIMENSIONS ARE GIVEN
IN INCHES, THIRD ANGLE PROJECTION.

DRAWN BY TKW	MAT'L:	SCALE NONE
DATE 12-14-06	SEE NOTES	DRAWING NO. 10409-03
CHK'D		SHEET 2 OF 2
		DWG A SIZE

00	12-14-06	TKW		SEE SHEET 1 OF 2 FOR REVISIONS	10409-03				
REV	DATE	BY	CHK	DESCRIPTION	ECN	R	CUST	SUP	OTH