

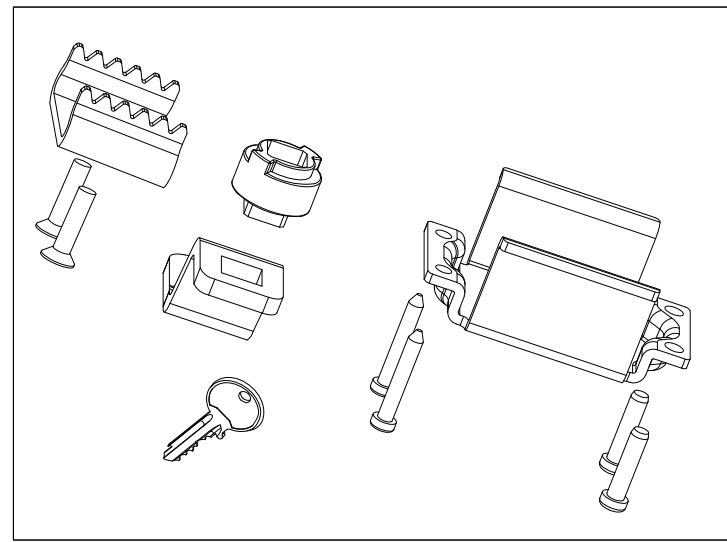
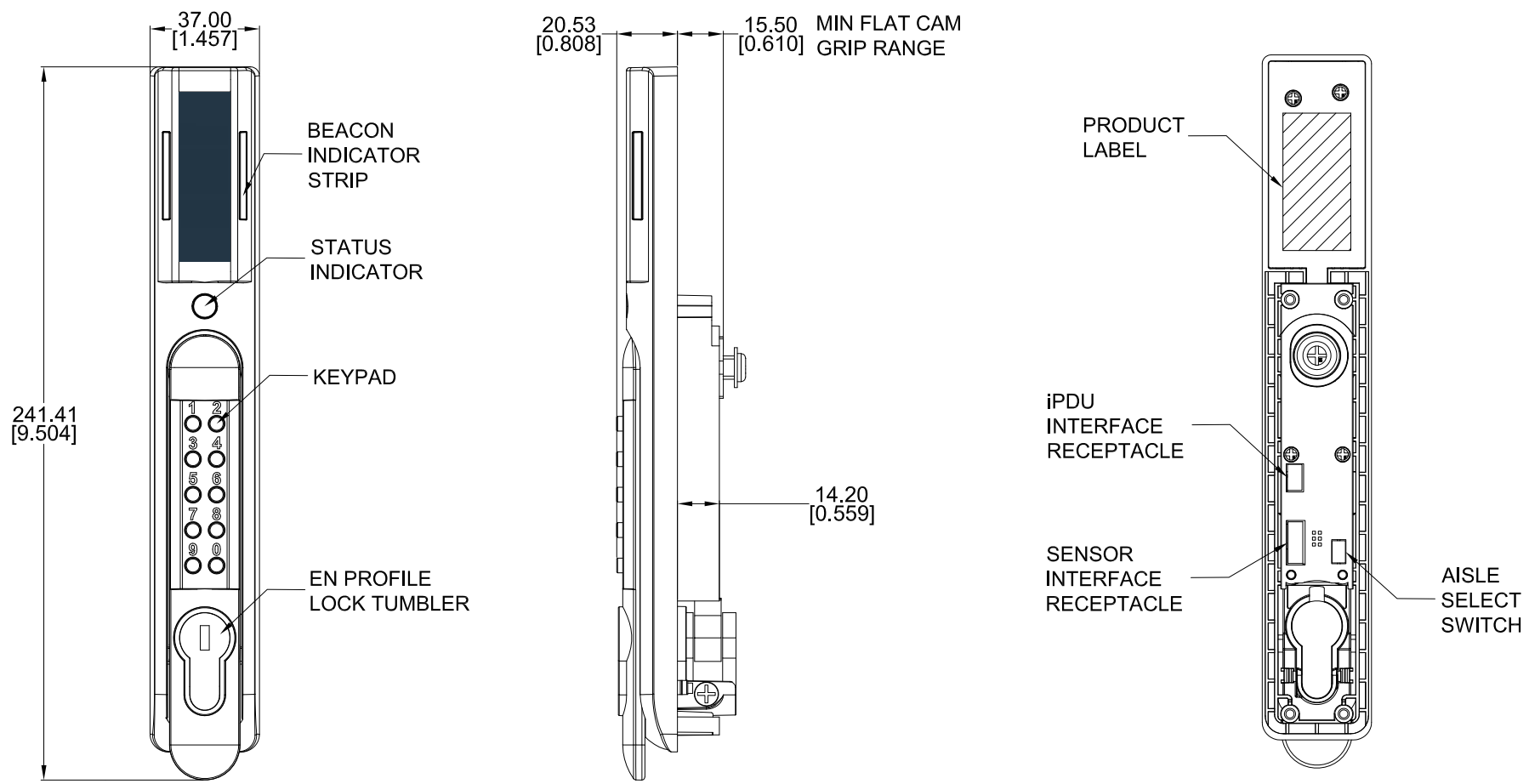
THIS COPY IS PROVIDED ON A RESTRICTED BASIS AND IS NOT TO BE USED IN ANY WAY DETRIMENTAL TO THE INTERESTS OF PANDUIT CORP.

| | |
|-------------|--------|
| PANDUIT P/N | WEIGHT |
| ACF06 | 0.6kg |

- SPECIFICATION:**
- STANDARD**
 - HUMIDITY MEASURING RANGE: 10–90% RH
 - HUMIDITY MEASUREMENT ACCURACY: ± 5% RH
 - HUMIDITY ACCURACY RANGE: OVER THE MEASUREMENT RANGE, 0°C TO 65°C
 - HUMIDITY OPERATING RANGE: 10–90% RH, NON-CONDENSING
 - OPERATIONAL VOLTAGE: 5 ±0.5 VOLTS DC
 - MAX INPUT CURRENT: 680 mA
 - MAX INRUSH CURRENT: 970mA @ LESS THAN 1ms
 - HANDLE HOUSING MATERIAL: GLASS FILLED NYLON
 - HANDLE HOUSING COLOR: BLACK
 - iPDU INTERFACE RECEPTACLE: JST BM04B-GHS-TBT
 - SENSOR INTERFACE RECEPTACLE: JST BM08B-GHS-TBT
 - PANEL CUTOUT: 25mm +0.3/-0mm X 150mm +0.3/-0mm
 - PANEL THICKNESS: 1mm TO 2.5mm
 - ADDITIONAL:**
 - KEY CAN ONLY BE INSERTED/REMOVED IN LOCKED POSITION.
 - HANDLE ROTATION: 'COUNTERCLOCKWISE TO OPEN' (ALSO REVERSIBLE)
 - ACCESSORY COMPONENTS:**
 - STANDARD KEY, QTY: (1)
 - EXTENDED ROTATION LIMITER, QTY: (1)
 - OFFSET CAM, QTY: (1)
 - TOP MOUNTING BRACKET, QTY: (1)
 - BOTTOM MOUNTING BRACKET, QTY: (1)
 - M3.5X15 SELF-TAPPING SCREW, QTY: (2)
 - M3X20 SELF-TAPPING SCREW, QTY: (2)
 - M3.5X12 COUNTERSUNK HEAD TAPPING SCREW, QTY: (2)
 - INSTALLATION GUIDE, QTY: (1)
 - SUPPORTS DECODING OF THE DATA FLOW IN THE FOLLOWING SUPPORTED RFID CARD STANDARDS:**
 - MIFARE CLASSIC 4K
 - MIFARE PLUS 2K
 - MIFARE DESFIRE 4K
 - HID iCLASS
 - HID 125 kHz PROX
 - EM 125 kHz PROX

- NOTES:**
- PRIMARY DIMENSIONS ARE IN MILLIMETERS. SECONDARY DIMENSIONS ARE IN INCHES
 - INSTALLATION SHALL COMPLY WITH ALL APPLICABLE NATIONAL, STATE, AND LOCAL CODES
 - VISIT OUR ON-LINE CATALOG AT WWW.PANDUIT.COM FOR A CURRENT LIST OF PRODUCTS APPLICABLE FOR USE WITH THIS PART
 - SMARTZONE HANDLE IS ONLY COMPATIBLE WITH SMARTZONE G5 PDU'S WITH FIRMWARE VERSION 3.X.X OR LATER.

| IDENTIFICATION | PART NUMBER | DESCRIPTION |
|----------------|-------------|---|
| | ACF06 | SZ SECURITY HANDLE WITH INTEGRAL HUMIDITY SENSOR AND KEYPAD |



ACCESSORY COMPONENTS

| REV | DATE | BY | CHK | APR | DESCRIPTION | ECN |
|-----|------------|----|-----|-----|------------------------------|-------|
| 01A | 01/22/2021 | NW | GLM | JAW | UPDATED NOTE AND HANDLE NAME | ACF06 |
| 00A | 12/15/2020 | NW | GLM | JAW | INITIAL RELEASE | ACF06 |

WE ASK THAT YOU CHECK FULLY THE DIMENSIONS, NOTES, AND SIGN THE CLIENT SIGNATURE BOX. THE JOB WILL NOT PROGRESS WITHOUT SIGNED APPROVAL. PLEASE DO NOT DELAY IN RETURNING PROOF AS IT WILL AFFECT DELIVERY

SIGN _____
DATE _____
PRINT _____

TITLE: SZ SECURITY HANDLE WITH INTEGRAL HUMIDITY SENSOR AND KEYPAD

CUSTOMER DRAWING

ITEM REVISION NAME: _____

DATASHEET FILE NAME: _____

UNLESS OTHERWISE SPECIFIED DIMENSIONAL TOLERANCE ARE: mm [IN]

MATERIAL/COLOR: N/A

DRAWING NUMBER: ACF06_DC

THIRD ANGLE PROJECTION

DRAWN BY: NW DATE: 12/15/2020 CHK: GLM SCALE: NONE

SHT 1 OF 1 SCALE: B