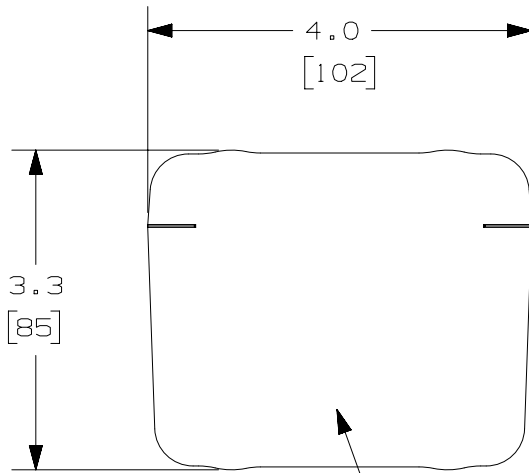


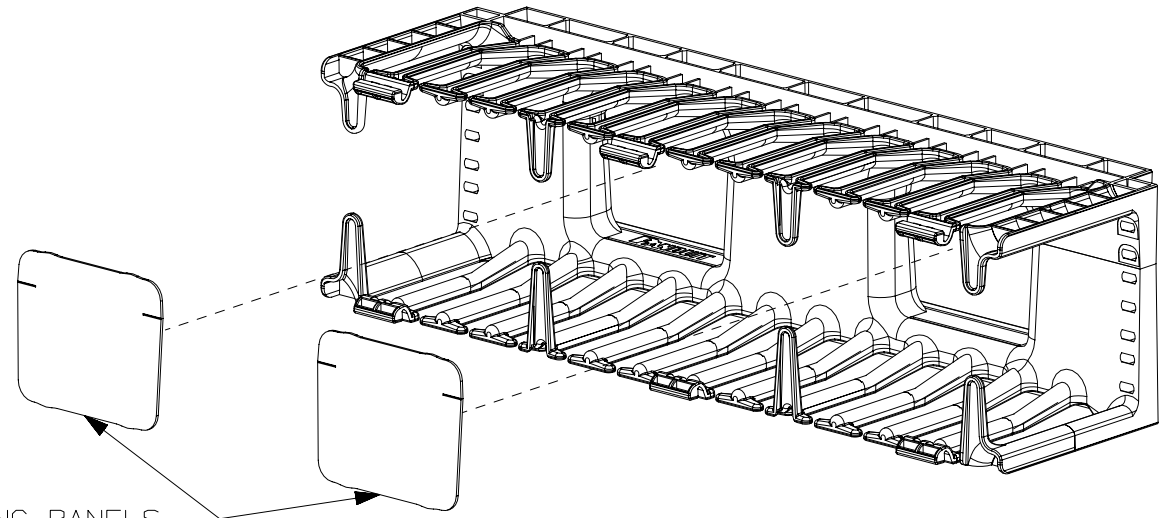
THIS COPY IS PROVIDED ON A RESTRICTED BASIS AND IS NOT TO BE USED IN ANY WAY DETRIMENTAL TO THE INTERESTS OF PANDUIT CORP.

NOTES:

1. VISIT OUR ON-LINE CATALOG AT WWW.PANDUIT.COM FOR A LIST OF CURRENT PARTS APPLICABLE FOR USE WITH THIS PRODUCT.
2. DIMENSIONS IN [ ] ARE METRIC.
3. ALL MATERIALS AND COMPONENTS USED MEET THE MATERIAL RESTRICTIONS OF RoHS (EUROPEAN DIRECTIVE 2011/65/EU ON THE RESTRICTION OF HAZARDOUS SUBSTANCES) AS PROPOSED BY THE RoHS TECHNICAL ADAPTATION COMMITTEE.
4. WEIGHT: 0.2 lb [5.7 g]
5. PART INCLUDES:  
(2) -BLANKING PANELS



BLANKING PANELS  
PACKAGED TWO  
PER BAG



BLANKING PANELS  
SNAP INTO PASS  
THROUGH HOLES  
OF MANAGER

PART NUMBER		NM3B		
TITLE				
BLANKING PANELS FOR NM3, NMF3 AND PR2HF3 HORIZONTAL MANAGER (NM3B)				
CUSTOMER DRAWING				
ITEM REVISION NAME		V10404BU/03		
DATASET FILE NAME		V10404BU_DC/03B		
		THIRD ANGLE PROJECTION		
MATERIAL		PLASTIC		
DRAWING NUMBER				V10404BU-DC
03B	2-13-23	TWV	KRKE	KCOR
ADDED PART NUMBER PR2HF3				
M09000RT				
REV	DATE	BY	CHK	APR
DESCRIPTION				
ECN				
DRAWN BY		DATE	CHK	SCALE
TWV		2-13-23	KRKE	NONE
SHEET 1 OF 1				SIZE
				A

A-SIZE CUSTOMER

2

1

2

1