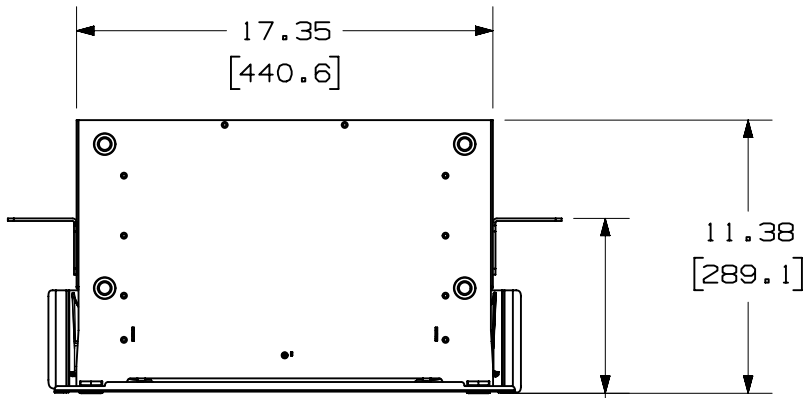
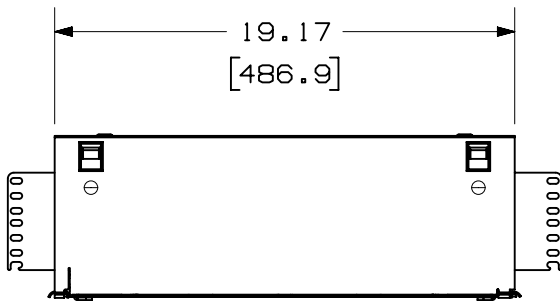


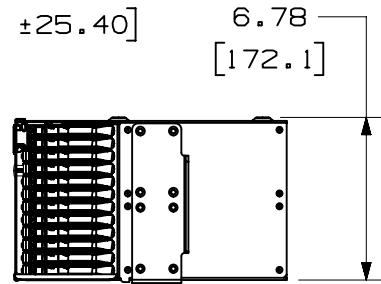
THIS COPY IS PROVIDED ON A RESTRICTED BASIS AND IS NOT TO BE USED IN ANY WAY DETRIMENTAL TO THE INTERESTS OF PANDUIT CORP.



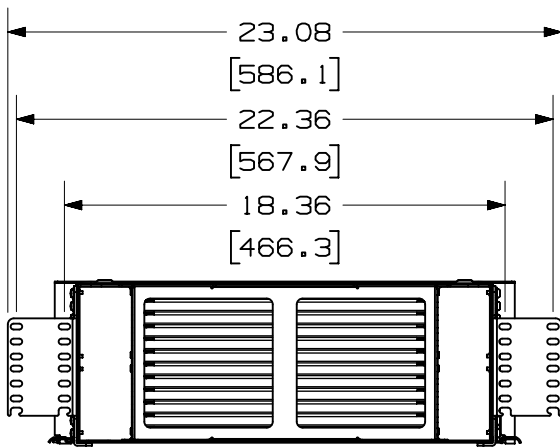
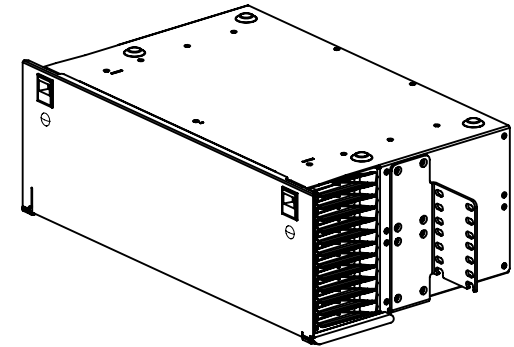
TOP VIEW



FRONT VIEW



SIDE VIEW



REAR VIEW

- NOTES:
1. VISIT OUR ON-LINE CATALOG AT [WWW.PANDUIT.COM](http://WWW.PANDUIT.COM) FOR A LIST OF CURRENT PARTS APPLICABLE FOR USE WITH THIS PRODUCT.
  2. DIMENSIONS IN [ ] ARE METRIC.
  3. ALL MATERIALS AND COMPONENTS USED MEET THE MATERIAL RESTRICTIONS OF RoHS (EUROPEAN DIRECTIVE 2011/65/EU ON THE RESTRICTION OF HAZARDOUS SUBSTANCES) AS PROPOSED BY THE RoHS TECHNICAL ADAPTATION COMMITTEE.

PANDUIT PART NO.	COLOR	WEIGHT
FDUE4BL	BLACK	30.25 lbs (13.75 kg)
FDUE4GY	GRAY	

TITLE										<b>ODF 4RU Universal Enclosure</b>							
CUSTOMER DRAWING																	
ITEM REVISION NAME					00582EHE/03					<b>PANDUIT</b>							
DATASET FILE NAME					00582EHE_DC/03A												
					THIRD ANGLE PROJECTION												
MATERIAL										DRAWING NUMBER							
GALVANNEALED STEEL										00582EHE - DC							
REV	DATE	BY	CHK	APR	DESCRIPTION					ECN	DRAWN BY	DATE	CHK	SCALE	SHEET 1 OF 1		SIZE
03A	12-08-21	SAT	TMSE	AJNA	INITIAL RELEASE					00582EHE-DC	SAT	11-10-21	TMSE	NONE			A

A-SIZE CUSTOMER