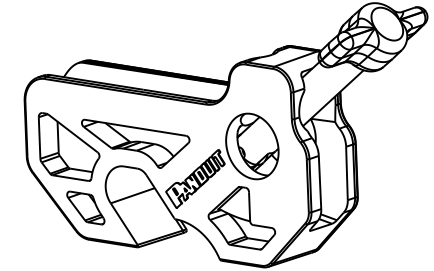
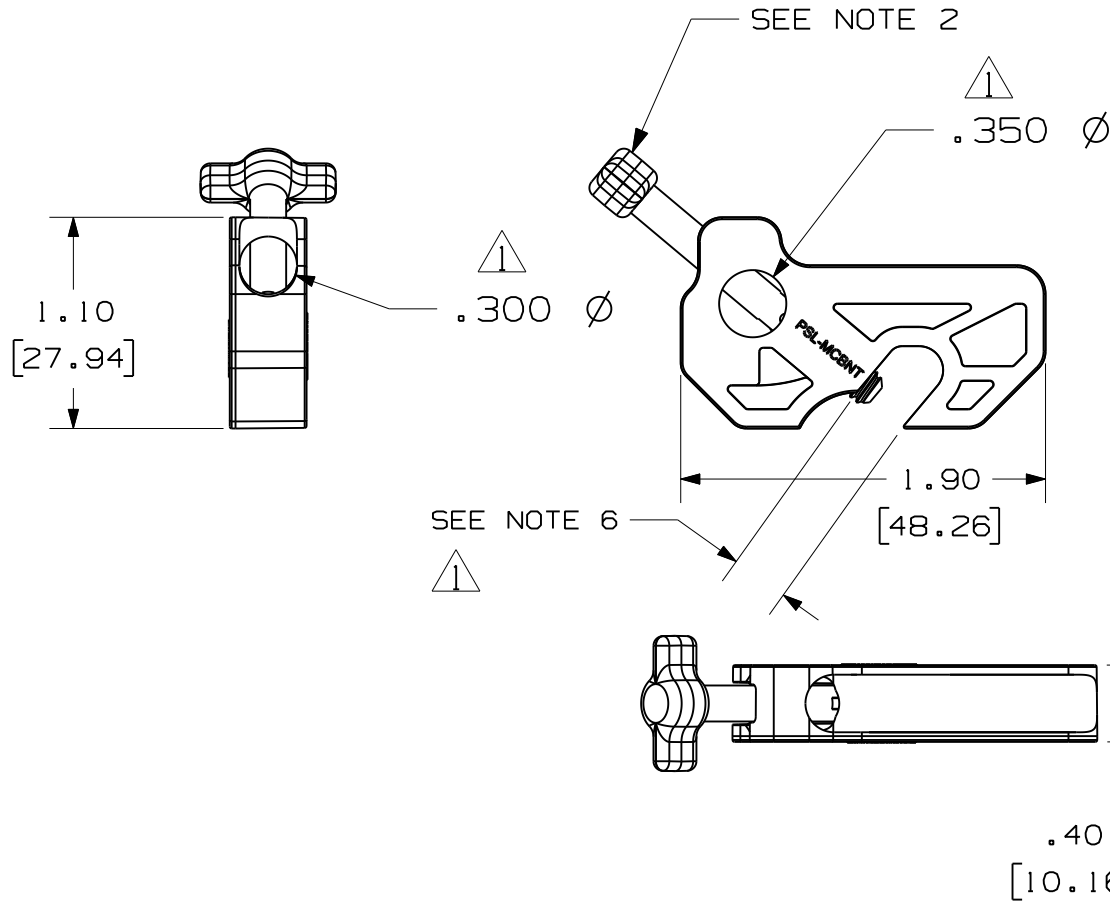


THIS COPY IS PROVIDED ON A RESTRICTED BASIS AND IS NOT TO BE USED IN ANY WAY DETRIMENTAL TO THE INTERESTS OF PANDUIT CORP.



NOTES:

1. [] DENOTE MILLIMETERS
2. TOGGLE SCREW CAP IS SAME MATERIAL AS DEVICE BODY. TOGGLE SCREW IS 303 STAINLESS STEEL
3. OPERATING TEMPERATURE -40°F (-40°C) TO 250°F (121°C)
4. EXCELLENT CHEMICAL RESISTANCE TO THE FOLLOWING;
SULFURIC ACID, HYDROCHLORIC ACID, SODIUM HYDROXIDE, METHYL ETHYL KETON, ACETONE, 1,1,1 TRICHLOROETHANE, METHANOL, IPA, ASTM #3 OIL, SAE 20 OIL, ALCONOX, TOLUENE, MINERAL SPIRITS, GLACIAL ACETIC ACID, DIESEL FULE, HEPTANE, CELLOSOLVE ACETATE, AMMONIA, TURPENTINE, KEROSENE, WATER, AND GASOLINE
5. FOR USE INDOOR AND OUTDOOR
6. MAX SWITCH HANDLE WIDTH: .295 [7.5]

CAD FILENAME/LAYERS 100919AM_DC_C10906/01B

PANDUIT CORP. TINLEY PARK, ILLINOIS

NO-TOOL
MINIATURE CIRCUIT BREAKER LOCKOUT
PSL-MCBNT CUSTOMER DRAWING

UNLESS OTHERWISE SPECIFIED,
DIMENSIONAL TOLERANCES ARE:
(.X) ± .1 (.XXX) ± .015
(.XX) ± .03 ANGLES ± 5°

UNLESS OTHERWISE SPECIFIED,
ALL DIMENSIONS ARE GIVEN
IN INCHES, THIRD ANGLE PROJECTION.

1	3/27/12	JHAC		ADDED HOLE AND OPENING DIM.	6746				
0	4/28/11	JHAC		DRAWING RELEASE	6374				
REV	DATE	BY	CHK	DESCRIPTION	ECN	R	CUST	SUP	

DRAWN BY JHAC	MAT'L: RED 33% GLASS-FILLED NYLON	SCALE 1 : 1
DATE 04/28/11		DRAWING NO. C10906
C		DWG A SIZE