



FOR USE WITH
PANDUCT
TYPES F, G, FS,
AND D DUCT

SOLID /SLOTTED DUCT DIVIDER WALL AND MOUNTING DISCS

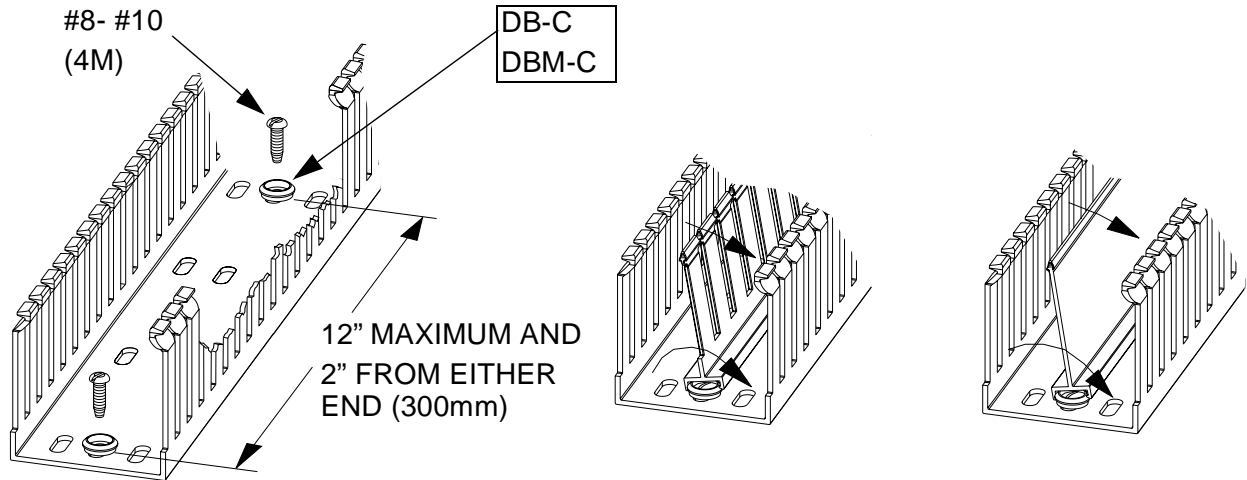
PART NUMBERS; DB, DBM, DNT-100, D1H6, D1.5H6, D2H6, D3H6, D4H6, SD2H6, SD3H6, SD4H6

INSTALLATION INSTRUCTIONS

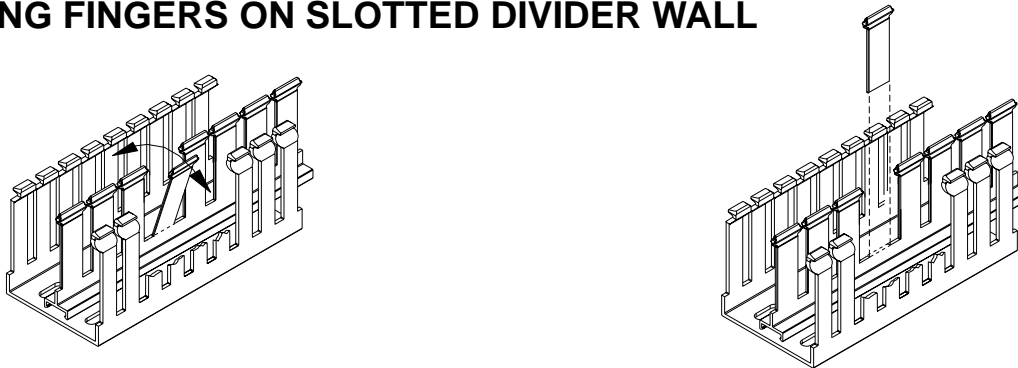
Panduit Corp. 1998

Printed in U.S.A.

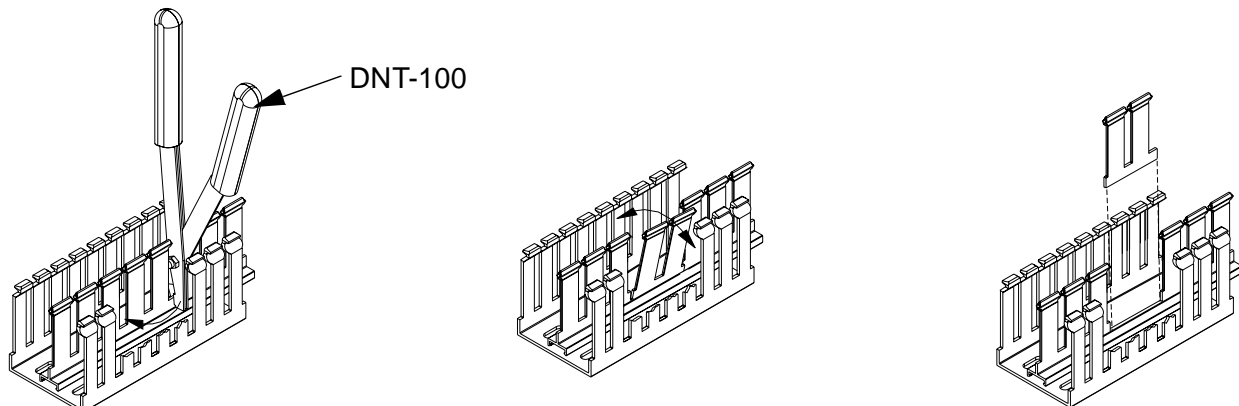
INSTALLATION OF SOLID/SLOTTED DIVIDER WALL AND MOUNTING DISCS



REMOVING FINGERS ON SLOTTED DIVIDER WALL



REMOVING SECTIONS FROM SLOTTED DIVIDER WALL WITH DNT-100 TOOL



For Technical Assistance Call: 866-405-6656



RACEWAY SYSTEMS DIVISION

17301 Ridgeland Avenue
Tinley Park, IL 60477-3091
Phone: 866-405-6566
FAX: 866-449-1702
WORLDWIDE SUBSIDIARIES AND SALES OFFICES

Instruction Sheet RW31C