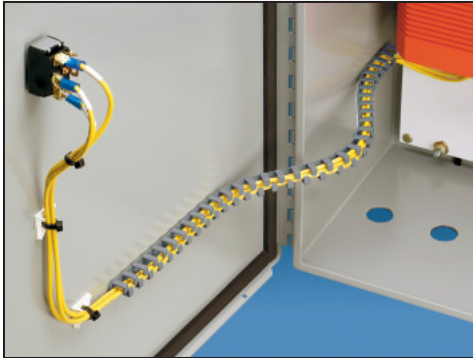


## **PANDUCT® Type FL – Flexible Wiring Duct**



PANDUCT® Flexible Wiring Duct is a one-piece slotted sidewall open finger design wiring duct intended to route and protect wires in applications that require flexibility. The unique finger design makes it easy to add or remove wires after termination without the use of special tooling. Due to its flexibility, Flexible Wiring Duct is useful in routing wires from control panel back planes and sidewalls, over hinges, to components mounted on control panel doors. Factory applied tape is provided for easy mounting.



### **Technical/Performance Info**

<b>Material</b>	Polypropylene
<b>Flammability</b>	UL94V-2
<b>Color</b>	RAL 7040 Light Gray
<b>Temperature</b>	Rated for continuous use temperatures up to 149°F (65°C)
<b>Adhesive backed tape</b>	Polyethylene foam carrier with synthetic rubber adhesive
<b>Applicable mounting surfaces</b>	Very suitable for metal, paper/cardboard, glass/ceramics, wood and many plastics  Good bonds are achieved on smooth surfaces
<b>Recommended tape application temperature</b>	65°F to 95°F (18°C to 35°C)

### **Key Features**

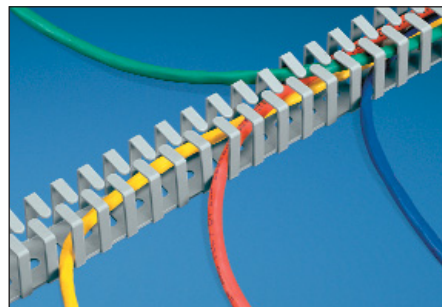
### **Benefits**

<b>Flexibility</b>	Can be used in applications requiring flexibility where conventional wiring duct cannot
<b>Fully enclosed fingers</b>	Provides method to retain cables while reducing number of parts needed in stock
<b>Offset fingers</b>	Reduces installation time compared to designs with overlapping fingers
<b>Factory applied adhesive backed tape</b>	Eliminates the drilling and tapping of holes to save installation time

# PANDUIT® Type FL – Flexible Wiring Duct

## Ordering Information

Part Number	Duct External Dimensions (W x H)	Standard Length	Tape Width (W)	Std. Pkg. Qty.
FL12X12LG-A	.49" x .49" (12.5mm x 12.5mm)	19.7" (500mm)	.24" (25mm)	112 pcs.
FL25X25LG-A	.98" x .98" (25mm x 25mm)		.58" (14.7mm)	70 pcs.
FL50X50LG-A	1.97" x 1.97" (50mm x 50mm)		.58" (14.7mm) x 2	32 pcs.

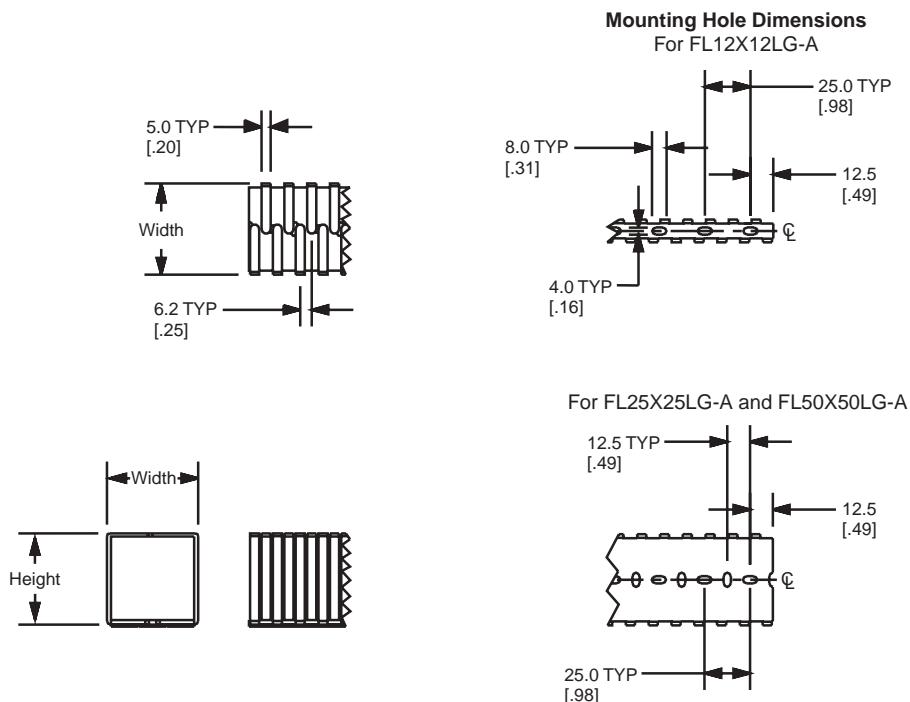


## Wirefill Capacity

Wirefill Capacity			
Nominal Duct Size (mm)	Nominal Area mm <sup>2</sup>	10 AWG	12 AWG
		.153	.122
		THHN	THHN
12 x 12	144	3	5
25 x 25	625	12	19
50 x 50	2500	43	67

Wirefill is based on 50% cross-sectional area.

## Dimensions



### WORLDWIDE SUBSIDIARIES AND SALES OFFICES

PANDUIT CANADA  
Markham, Ontario  
cs-cdn@panduit.com  
Phone: 800.777.3300

PANDUIT EUROPE LTD.  
London, UK  
cs-emea@panduit.com  
Phone: 44.20.8601.7200

PANDUIT SINGAPORE PTE. LTD.  
Republic of Singapore  
cs-ap@panduit.com  
Phone: 65.6379.6700

PANDUIT JAPAN  
Tokyo, Japan  
cs-japan@panduit.com  
Phone: 81.3.3767.7011

PANDUIT LATIN AMERICA  
Jalisco, Mexico  
cs-la@panduit.com  
Phone: 52.333.777.6000

PANDUIT AUSTRALIA PTY. LTD.  
Victoria, Australia  
cs-aus@panduit.com  
Phone: 61.3.9794.9020

For a copy of PANDUIT product warranties, log on to [www.panduit.com/warranty](http://www.panduit.com/warranty)



For more information  
Visit us at [www.panduit.com](http://www.panduit.com)  
Contact Customer Service by email: [cs@panduit.com](mailto:cs@panduit.com)  
or by phone: 800-777-3300 and reference WDCB12

©2005 PANDUIT Corp.  
ALL RIGHTS RESERVED.  
Printed in the U.S.A.  
Product Bulletin Number WW-WDCB12  
replaces WW-WDCB09  
7/2006