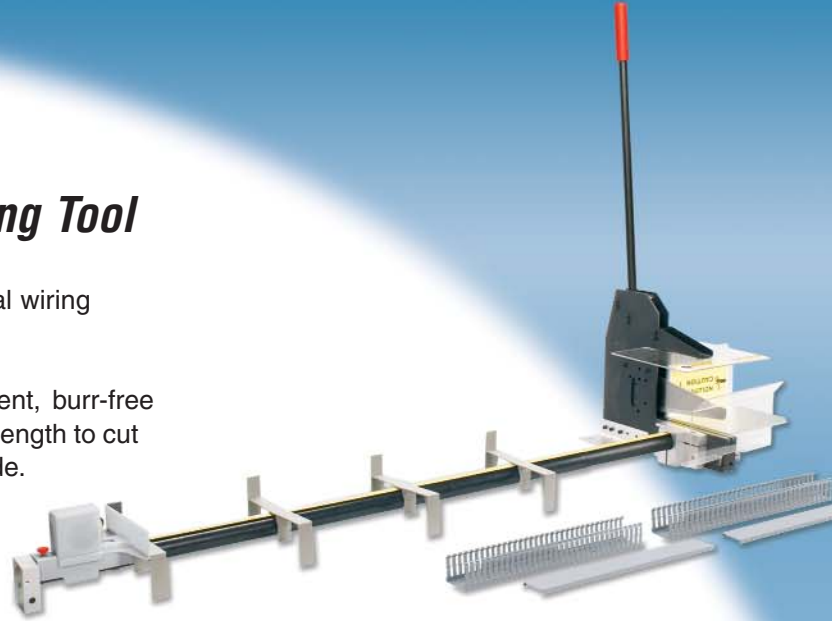


NEW!

PANDUIT Bench Mount Duct Cutting Tool

The *PANDUIT* bench mount duct cutting tool is the ideal wiring duct cutting solution for industrial control applications.

The tool provides accurate measurement and consistent, burr-free cuts for reduced scrap. The tool has an extended blade length to cut a full range of slotted duct and cover up to 6 inches wide. Hand operation provides quiet, dust-free production without the noise and housekeeping associated with power tools. The low handle cut-force speeds product flow while minimizing user fatigue. The tool accommodates left or right hand set-up and features an innovative telescoping measuring bar to suit full size tables or smaller rolling carts.



Designed and manufactured by *PANDUIT* for use with *PANDUCT*® Type G, F, H, HN, MC, NNC, NE, TMC Slotted Ducts and corresponding duct covers in all sizes.

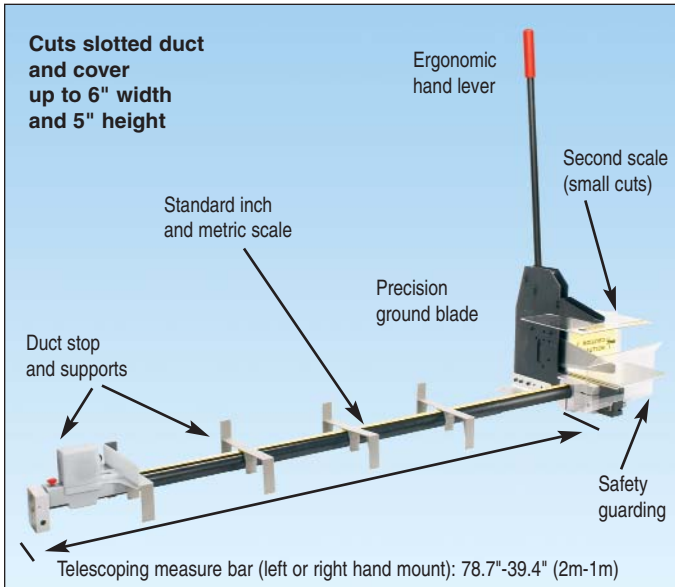
Key Features

Benefits

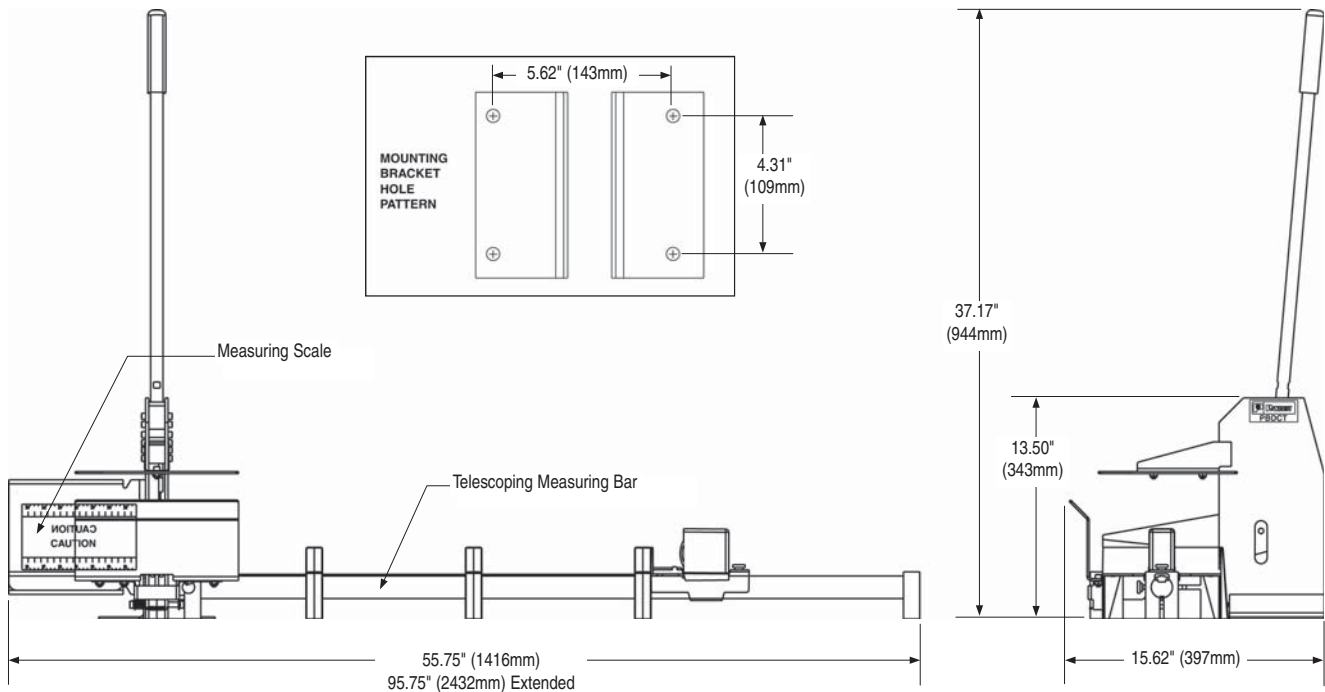
<i>Bench mount design</i>	Portable tool cuts mid-to-high volumes of wiring duct and cover and increases productivity over using hand tools
<i>Ergonomic, hand actuated cutting mechanism with precision ground steel blade</i>	Provides accurate, quiet and dust-free cutting of wiring duct or cover up to 6" wide without electrical power resulting in lower maintenance, reduced scrap, and reduced operator fatigue
<i>Telescoping measuring bar</i>	Measuring bar adjusts from 39" (1m) to 78" (2m) in length for convenience and portability
<i>Standard and metric scale</i>	Allows accurate measurement of duct and cover length from 4.0" (100mm) up to 6.5' (2m)
<i>Safety guards</i>	Protect operator from cutting blade and maintains workplace safety
<i>Right-hand or left-hand mounted measuring bar and duct stop</i>	Tool can be configured for optimal cutting position for LH or RH operator for improved comfort and productivity
<i>Factory assembled base and cutting mechanism</i>	Major components are pre-assembled for quick, easy setup and immediate use

PANDUIT Bench Mount Duct Cutting Tool

Ordering Information



Part Number	Description	Std. Pkg. Qty.
PBDCT	PANDUIT bench mount cutting tool. Cuts slotted wiring ducts and wiring duct cover with up to 6" width and 5" height. Full 78.74" (2m) measure scale. Includes safety guarding.	1
PBDCT-BLD	Replacement blade.	1



WORLDWIDE SUBSIDIARIES AND SALES OFFICES

PANDUIT CANADA
Markham, Ontario
cs-cdn@panduit.com
Phone: 800.777.3300

PANDUIT EUROPE LTD.
London, UK
cs-emea@panduit.com
Phone: 44.20.8601.7200

PANDUIT SINGAPORE PTE. LTD.
Republic of Singapore
cs-ap@panduit.com
Phone: 65.6305.7575

PANDUIT JAPAN
Tokyo, Japan
cs-japan@panduit.com
Phone: 81.3.3767.7011

PANDUIT LATIN AMERICA
Jalisco, Mexico
cs-la@panduit.com
Phone: 52.333.777.6000

PANDUIT AUSTRALIA PTY. LTD.
Victoria, Australia
cs-aus@panduit.com
Phone: 61.3.9794.9020

For a copy of PANDUIT product warranties, log on to www.panduit.com/warranty



For more information
Visit us at www.panduit.com
Contact Customer Service by email: cs@panduit.com
or by phone: 800-777-3300 and reference WDCB19

©2008 PANDUIT Corp.
ALL RIGHTS RESERVED.
WW-WDCB19
8/2008