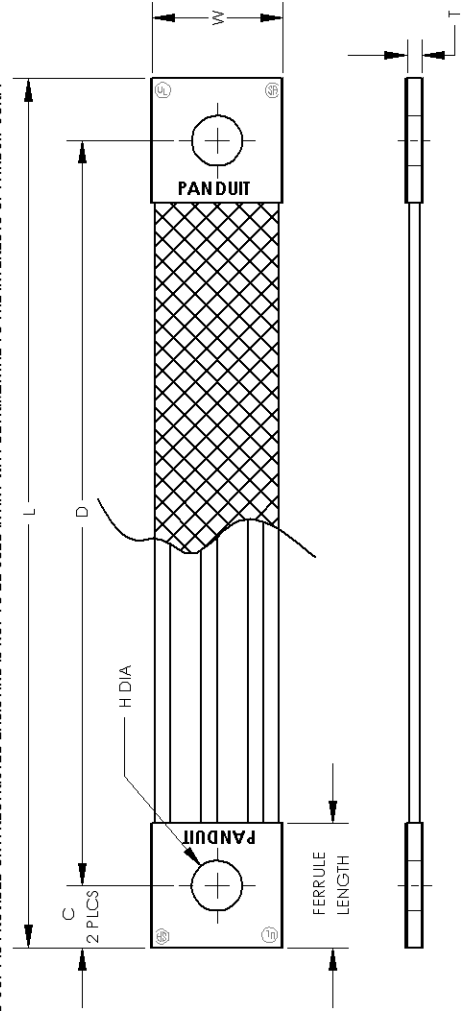


THIS COPY IS PROVIDED ON A RESTRICTED BASIS AND IS NOT TO BE USED IN ANY WAY DETRIMENTAL TO THE INTERESTS OF PANDUIT CORP.



NOTES:

1. BRAIDED STRAP IS #4 AWG STRANDED COPPER, TIN PLATED FERRULES ARE TIN PLATED COPPER.
2. INSULATION: MATERIAL - POLYOLEFIN SLEEVE TEMPERATURE RATING - 135° C COLOR - INDUSTRY STANDARD YELLOW/GREEN
3. DIMENSIONS IN PARENTHESIS ARE MILLIMETERS.
4. PARTS ARE UL LISTED AND CSA CERTIFIED FOR BONDING APPLICATIONS ONLY.



PANDUIT PART NUMBER	BRAIDED STRAP SIZE	INSULATION (SEE NOTE 2)	NO. OF BRAIDS IN FERRULE	DIMENSIONS - IN (mm)							FERRULE LENGTH
				L	D	W	C	T	H DIA		
BS100945	4 AWG	YES	1	4.00 [101.6]	3.00 [76.2]	1.06 [27.0]	0.50 [12.7]	0.13 [3.3]	0.41 [10.3]	1.00 [25.4]	
BS100945	4 AWG	YES	1	6.00 [152.4]	5.00 [127.0]	1.06 [27.0]	0.50 [12.7]	0.13 [3.3]	0.41 [10.3]	1.00 [25.4]	
BS100945	4 AWG	YES	1	8.00 [203.2]	7.00 [177.8]	1.06 [27.0]	0.50 [12.7]	0.13 [3.3]	0.41 [10.3]	1.00 [25.4]	
BS101245	4 AWG	YES	1	12.00 [304.8]	11.00 [279.4]	1.06 [27.0]	0.50 [12.7]	0.13 [3.3]	0.41 [10.3]	1.00 [25.4]	
BS100445U	4 AWG	NO	1	4.00 [101.6]	3.00 [76.2]	1.06 [27.0]	0.50 [12.7]	0.13 [3.3]	0.41 [10.3]	1.00 [25.4]	
BS100845U	4 AWG	NO	1	6.00 [152.4]	5.00 [127.0]	1.06 [27.0]	0.50 [12.7]	0.13 [3.3]	0.41 [10.3]	1.00 [25.4]	
BS100845U	4 AWG	NO	1	8.00 [203.2]	7.00 [177.8]	1.06 [27.0]	0.50 [12.7]	0.13 [3.3]	0.41 [10.3]	1.00 [25.4]	
BS101245U	4 AWG	NO	1	12.00 [304.8]	11.00 [279.4]	1.06 [27.0]	0.50 [12.7]	0.13 [3.3]	0.41 [10.3]	1.00 [25.4]	

PANDUIT CORP. TINLEY PARK, ILLINOIS

ONE-HOLE BRAIDED BONDING STRAPS

CUSTOMER DRAWING

UNLESS OTHERWISE SPECIFIED, ALL DIMENSIONS ARE GIVEN IN INCHES, THIRD ANGLE PROJECTION		SCALE	1:1
UNLESS OTHERWISE SPECIFIED, DIMENSIONAL TOLERANCES ARE: (XX) ± ANGLES ±		DRAWING NO / CAD FILE	C41744_02
REV	DATE	BY	CHK
02	1/09	JHNU	JHNU
01	10/08	JHNU	DWDA
00	3/08	JHNU	DWDA
DESCRIPTION		ECN	CUST
REVISED NOTE 1: #4 AWG WAS #6, REMOVED NOTE 2		DATE	2/08
DRAWING RELEASED		CHK'D	