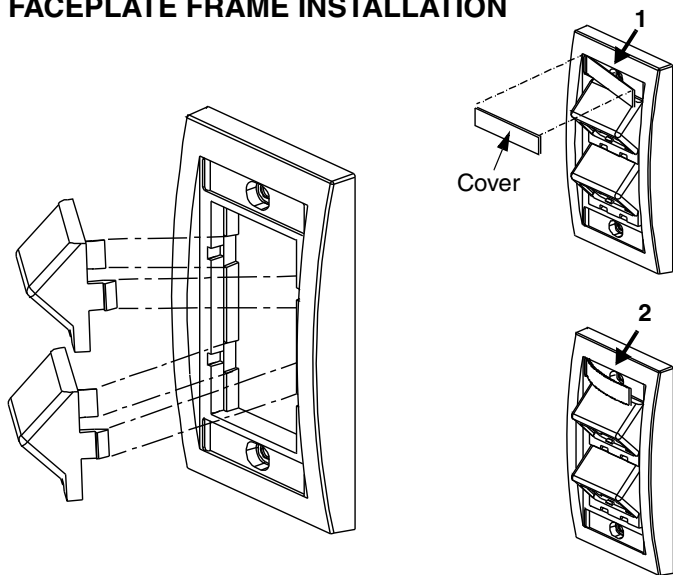
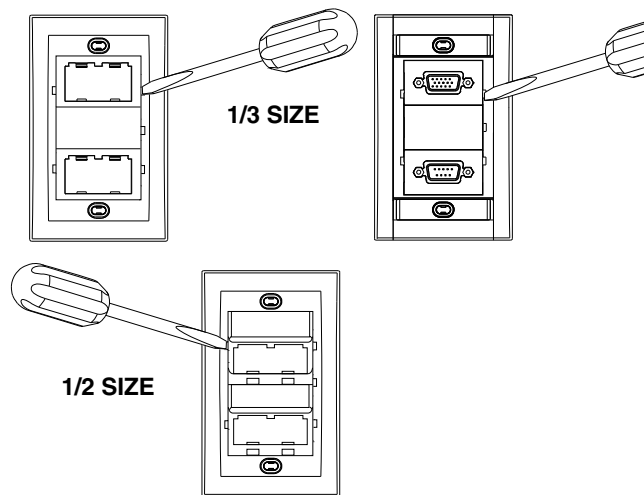


FACEPLATE FRAME INSTALLATION



INSERT REMOVAL



†NOTE: Classic style frames (CB**, CB**-2G) require the following clearance when installing over a mud ring –
Single gang (2.80" x 1.74") and Double gang (2.83" x 3.63").