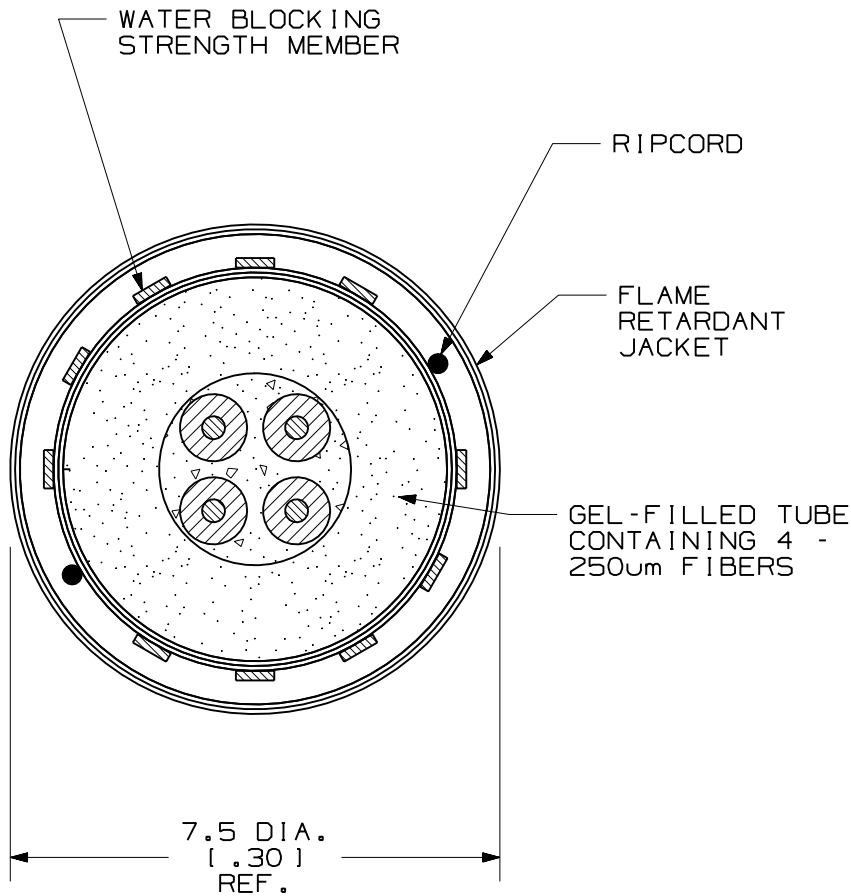


THIS COPY IS PROVIDED ON A RESTRICTED BASIS AND IS NOT TO BE USED IN ANY WAY DETRIMENTAL TO THE INTERESTS OF PANDUIT CORP.


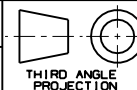


CABLE DESCRIPTION			
FIBER OPTIC INDOOR-OUTDOOR CENTRAL TUBE CABLE			
PART NUMBERS AVAILABLE	FIBER TYPE	JACKET RATING	COLOR
FPCL904(****)	SINGLEMODE 9/125um	LSZH	GREEN
FPCL604(****)	MULTIMODE 62.5/125um	LSZH	GREEN
FPCL504(****)	MULTIMODE 50/125um	LSZH	GREEN
FOCLX04(****)	MULTIMODE 50/125um 10 GbE	LSZH	GREEN

TECHNICAL SPECIFICATIONS		
MAXIMUM LOSS	BEND RADIUS	
3.5 dB/KM @ 850nm 1.5 dB/KM @ 1300nm	INSTALLATION	LONG TERM
	100 mm (3.9 in)	60 mm (2.4 in)
SINGLEMODE MAXIMUM LOSS	TENSILE LOAD - LSZH RATED	
.75 dB/KM @ 1310nm .75 dB/KM @ 1500nm	INSTALLATION	LONG TERM
	1500 N (337.5 lbf)	700 N (157.5 lbf)
TEMPERATURE		
INSTALLATION	OPERATION	STORAGE
-20° C TO +70° C -4° F TO +158° F	-20° C TO +70° C -4° F TO +158° F	-40° C TO +75° C -40° F TO +167° F

NOTES:

- DIAMETER DIMENSION SHOWN FOR REFERENCE ONLY.
- DIMENSIONS IN BRACKETS [] ARE ENGLISH.
- FOR PART NUMBERS AND LENGTHS OTHER THAN THOSE SHOWN, CONTACT YOUR PANDUIT SALES PERSON.

										FIBER OPTIC INDOOR-OUTDOOR CABLE WITH 4 FIBERS IN A CENTRAL TUBE	
										CUSTOMER DRAWING	
										 PANDUIT ™ CORP. TINLEY PARK, ILL 60477	
										 THIRD ANGLE PROJECTION ALL DIMENSIONS ARE GIVEN IN INCHES, UNLESS OTHERWISE SPECIFIED. DIMENSIONAL TOLERANCES ARE: (.X) (.XXX) ± .010 (.0.3) (.XX) ± .03 (.0.8) ANGLES	
										DRAWING FILENAME M02432BD_DC_04_00A.prt	
										SCALE NONE	
										PART NO. FPCL*04	
										DRAWING NO. 02432-15	
										SIZE A	
REV	DATE	BY	CHK	DESCRIPTION	ECN	R	CUST	SUP	OTH	DRAWN BY JH DATE 11-18-05 CHK'D	REVIEW DRAWING NUMBERS PART NO. FPCL*04 DRAWING NO. 02432-15 SIZE A
R	01-30-06	JH		RELEASED TO PRODUCTION	02432-15						