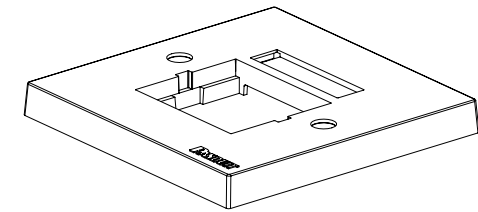
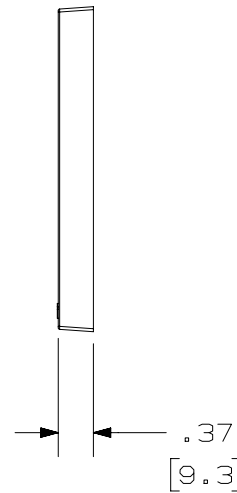
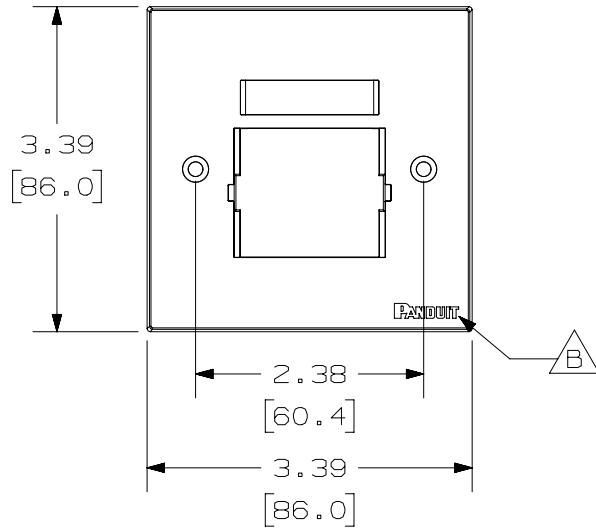


THIS COPY IS PROVIDED ON A RESTRICTED BASIS AND IS NOT TO BE USED IN ANY WAY DETRIMENTAL TO THE INTERESTS OF PANDUIT CORP.

PANDUIT P/N	WEIGHT
CBUK**Y	.60 LB/10 PCS (272.2 g/10 PCS)

NOTES:

- SEE CURRENT CATALOG FOR ADDITIONAL PART NUMBER SUFFIXES TO INDICATE COLOR AND OR PACKAGE QUANTITY.
- SEE CATALOG FOR COMPLETE LIST OF PARTS APPLICABLE FOR USE WITH THIS PART.
- DIMENSIONS IN [ ] ARE IN METRIC.
- PART INCLUDES:
  - 1- FACEPLATE BEZEL
  - 2- M3.5 X 30mm MOUNTING SCREW
  - 1- LABEL
  - 1- LABEL COVER



PART NUMBER		CBUK**Y	
TITLE			
U.K. 86mm X 86mm SINGLE GANG FACEPLATE BEZEL			
CUSTOMER DRAWING			
ITEM REVISION NAME		M02479FL/05	
DATASET FILE NAME		M02479FL_DC144/00C	
UNLESS OTHERWISE SPECIFIED, DIMENSIONAL TOLERANCES ARE: IN [ mm ]		MATERIAL:	
.x ± .1 [ 2.54 ]      .xxx ± .005 [ .127 ]		DRAWING NUMBER: 02479-144	
.xx ± .01 [ .25 ]      ANGLES ± 5 °			
THIRD ANGLE PROJECTION		DRAWING NUMBER: 02479-144	
DRAWN BY	DATE	CHK	SCALE
JSP	4-19-05	MJD	NONE
SHT 1 OF 1		A	

REV	DATE	BY	CHK	APR	DESCRIPTION	ECN
2	5-13-15	BJN	JCO	LPH	B. ADDED PANDUIT LOGO	02479-144
1	3/10/14	JSP	REFR	MMR	A. REVISED DRAWING TITLE BLOCK.	02479-144
R	4-18-06	JSP	MJD	MJD	RELEASED TO PRODUCTION	02479-144

D10100DA/14