

FIGURE 1

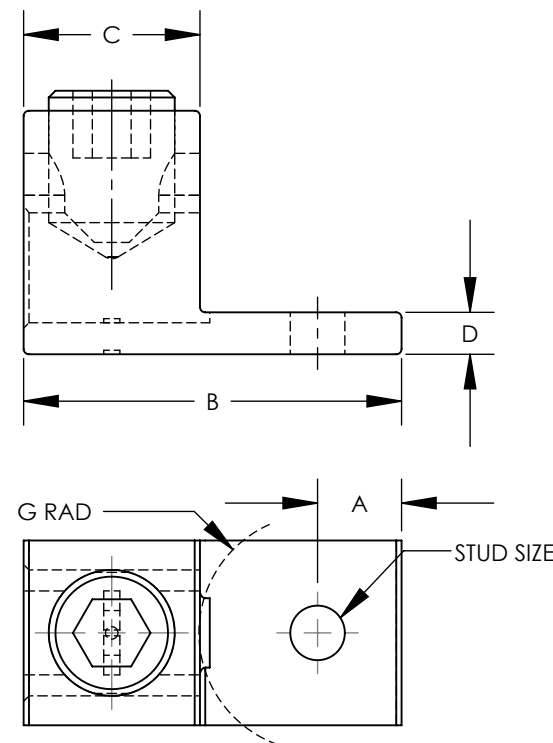
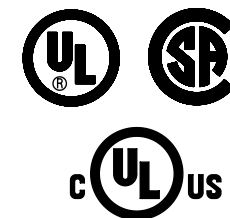


FIGURE 2

NOTES:

1. MATERIAL:  
BODY - ALUMINUM, TIN PLATED  
SCREW - ALUMINUM, TIN PLATED
2. UL LISTED & CSA CERTIFIED FOR USE UP TO 600V & TEMPERATURE RATED 90°C (AL9CU)  
NOTE: LAMA350-38-QY, LAMA500S-38-6Y, & LAMA600-38-6Y ARE cULus.
3. DUAL RATED FOR USE WITH COPPER OR ALUMINUM STRANDED CODE CONDUCTOR
4. THESE PARTS ARE RoHS COMPLIANT
5. USE OF OXIDE INHIBITING JOINT COMPOUND LIKE PANDUIT CMP-100 RECOMMENDED FOR PAD TO PAD AND CONDUCTOR SURFACES
6. SEE PACKAGING LABEL FOR TIGHTENING TORQUE INFORMATION
7. PKG QTY:  
Q = 25  
6 = 6



PART NUMBER	FIGURE	WIRE RANGE COPPER/ALUMINUM	WIRE STRIP LENGTH IN [mm]	STUD SIZE IN	DIMENSIONS - IN [mm]							HEX KEY*
					A ± .03 [.8]	B ± .06 [1.5]	C ± .04 [1]	D ± .02 [.5]	E ± .04 [1]	F ± .04 [1]	G ± .02 [.5]	
LAMA300-56-QY	1	6 AWG - 300 kcmil	1.00 [25.4]	5/16	.45 [11.4]	2.00 [50.8]	1.00 [25.4]	.25 [6.4]	1.00 [25.4]	1.13 [28.7]	.55 [14.0]	5/16
LAMA350-38-QY	1	6 AWG - 350 kcmil	1.13 [28.6]	3/8	.50 [12.7]	2.26 [57.3]	1.14 [29.0]	.25 [6.4]	1.13 [28.8]	1.25 [31.8]	.62 [15.8]	5/16
LAMA500-38-6Y	1	4 AWG - 500 kcmil	1.22 [31.0]	3/8	.88 [22.2]	2.82 [71.5]	1.24 [31.5]	.31 [7.9]	1.50 [38.0]	1.56 [39.7]	.74 [18.8]	1/2
LAMA600-38-6Y	1	2 AWG - 600 kcmil	1.38 [35.1]	3/8	.63 [15.9]	3.19 [80.9]	1.38 [35.0]	.44 [11.1]	1.60 [40.6]	1.57 [39.8]	1.17 [29.7]	1/2
LAMA600S-38-6Y	2	2 AWG - 600 kcmil	1.31 [33.3]	3/8	.63 [16.0]	2.81 [71.4]	1.31 [33.3]	.31 [7.9]	1.38 [35.1]	1.81 [46.0]	.88 [22.4]	3/8
LAMA1000-58-6Y	1	500 kcmil - 1000 kcmil	1.63 [41.3]	5/8	.81 [20.6]	3.50 [88.9]	1.63 [41.3]	.50 [12.7]	1.75 [44.5]	1.94 [49.2]	1.06 [27.0]	3/8

\* HEX SIZE MAY DIFFER FROM CHART. DIFFERENCE IN SIZE WILL NOT AFFECT FIT, FORM, OR FUNCTION OF PART

REV	DATE	BY	CHK	APR	DESCRIPTION	ECN	TITLE	ITEM REVISION NAME	DATASET FILE NAME	MATERIAL	DRAWING NUMBER	SHEET 1 OF 1	SIZE
							LAMA SERIES 300kcmil THRU 1000kcmil ALUMINUM MECHANICAL LUGS CUSTOMER DRAWING	10N006AS/13	10N006AS-NC/13.SLDDRW	SEE NOTES	10N006AS-NC		B
13	1/2020	JHNU	RGB	RGB	REVISED B DIM FOR LAMA350-38-QY: 2.26 [57.3] WAS 2.26 [57.4] REVISED C DIM FOR LAMA350-38-QY: 1.14 [29.0] WAS 1.13 [28.6] REVISED E DIM FOR LAMA350-38-QY: 1.13 [28.8] WAS 1.13 [28.6] REVISED F DIM FOR LAMA350-38-QY: 1.25 [31.8] WAS 1.25 [31.7] REVISED B DIM FOR LAMA600-38-6Y: 3.19 [80.9] WAS 3.18 [80.9] REVISED C DIM FOR LAMA600-38-6Y: 1.38 [35.0] WAS 1.38 [35.1]	057109	UNLESS OTHERWISE SPECIFIED, DIMENSIONAL TOLERANCES ARE: IN [mm] .X ± .XXX ± .XX ± ANGLES ±			THIRD ANGLE PROJECTION			
								JHNU	2/06	RGB	NONE		