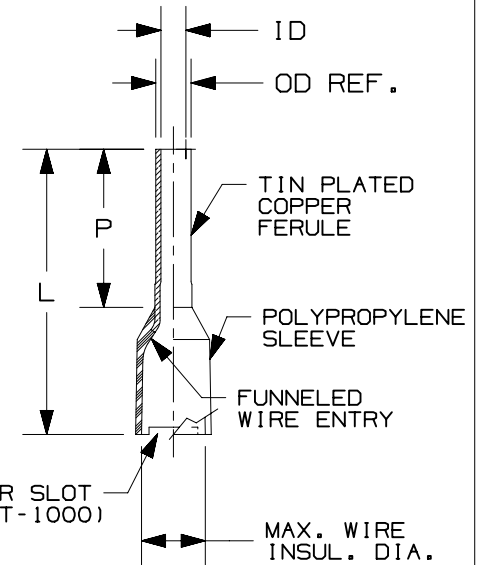


THIS COPY IS PROVIDED ON A RESTRICTED BASIS AND IS NOT TO BE USED IN ANY WAY DETRIMENTAL TO THE INTERESTS OF PANDUIT CORP.

PANDUIT PART #	WIRE RANGE		PACKAGE QTY. (PER STRIP)	COLOR (DIN)	MAX. WIRE INSULATION DIAMETER	WIRE CLASS	DIMENSIONS in. [mm ²]				INSTALLATION TOOL
	AWG	[mm ²]					L	P	OD (REF.)	ID	
* FSD75-8-DSL10	22-20	[0,50]	500 (50)	WHITE	0.10 [2,6]	B, K, M	0.60 [15,2]	0.31 [8,0]	0.05 [1,4]	0.04 [1,0]	CT-1000
FSD76-8-DSL8	18	[0,75]	500 (50)	GRAY	0.11 [2,7]	B, K, M	0.60 [15,2]	0.31 [8,0]	0.06 [1,6]	0.05 [1,2]	
FSD77-8-DSL2	-	[1,00]	500 (50)	RED	0.12 [3,0]	B, K, M	0.60 [15,2]	0.31 [8,0]	0.07 [1,8]	0.06 [1,5]	
FSD78-8-DSL0	16	[1,50]	500 (50)	BLACK	0.13 [3,2]	B, K, M	0.60 [15,2]	0.31 [8,0]	0.08 [2,1]	0.07 [1,8]	
FSD80-8-DSL6	14	[2,50]	500 (50)	BLUE	0.16 [4,0]	M	0.60 [15,2]	0.31 [8,0]	0.10 [2,6]	0.09 [2,3]	



* UL LISTED WITH 20AWG ONLY, UL486F SCOPE IS 20 - 1/0 AWG ONLY. WHITE IS DIN COLOR FOR 20AWG [0,5]

NOTES:

- USED FOR:
 - UL LISTED WITH STRANDED COPPER WIRE ONLY
 - 221°F [105°C] MAX. OPERATING TEMPERATURE

2. WIRE STRIP LENGTH: 13/32" ^{+1/32} [10,0^{+0,8}]

- MATERIAL:
 - STAMPING: COPPER, TIN PLATED
 - HOUSING: POLYPROPYLENE, COLOR CODED
 - COLOR CODE CONFORMS TO DIN 46228 STANDARD

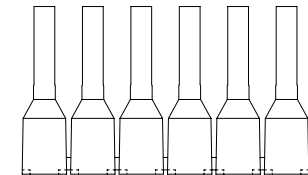
4. DIMENSIONS IN BRACKETS ARE METRIC EQUIVALENT



LISTED
E472545



CERTIFIED
LR31212



REV	DATE	BY	CHK	APR	DESCRIPTION	ECN
07	4/15/20	BWG	HPR	JADE	ADDED NOTE 3. C. AND TOLERANCES TO DRAWING.	078556/00

TITLE FERRULES WITH SLEEVES ON STRIPS - SINGLE WIRE			
CUSTOMER DRAWING			
ITEM REVISION NAME N41753BA/08-FERRULE		PANDUIT	
DATASET FILE NAME N41753BA_DC/08			
UNLESS OTHERWISE SPECIFIED, DIMENSIONAL TOLERANCES ARE: IN [mm] .x ± .1 [2.54] .xxx ± .005 [.127] .xx ± .01 [.25] ANGLES ± 5 °			
DRAWING NUMBER: A41736		MATERIAL: SEE NOTES	
THIRD ANGLE PROJECTION			
DRAWN BY DAW	DATE 01/08	CHK	SCALE N.T.S.
SHT 1 OF 1		SIZE A	