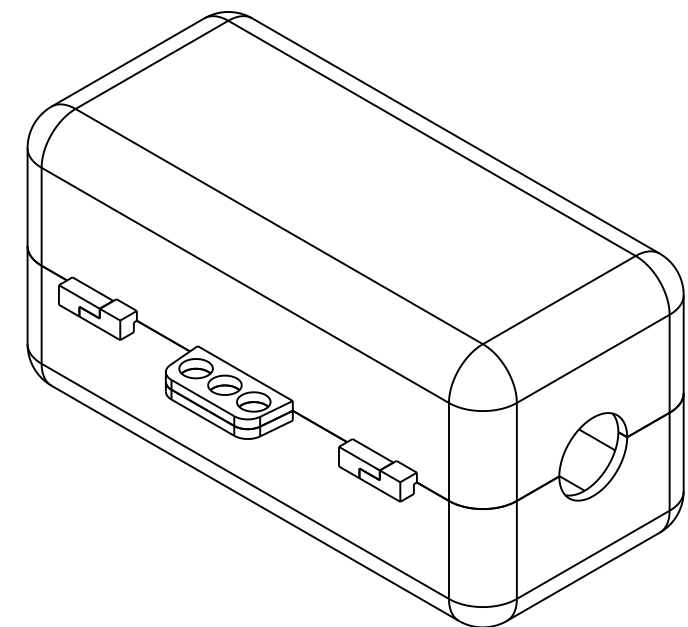
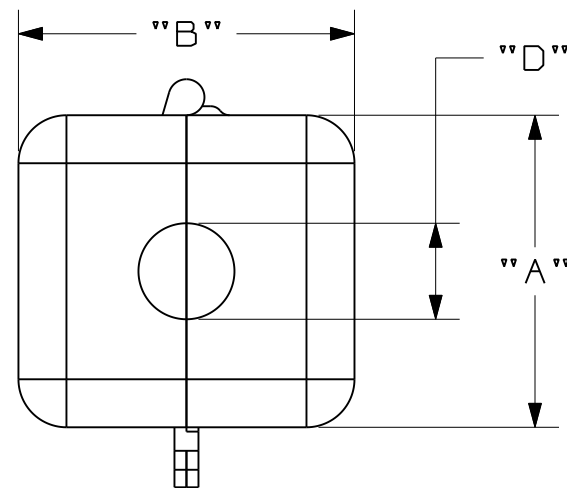
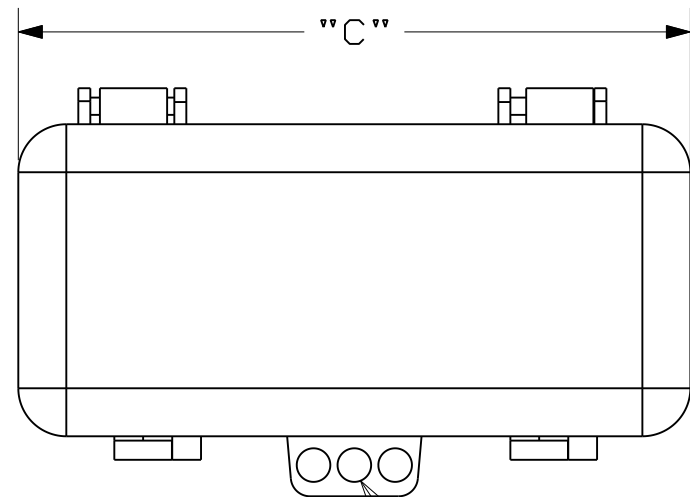


THIS COPY IS PROVIDED ON A RESTRICTED BASIS AND IS NOT TO BE USED IN ANY WAY DETRIMENTAL TO THE INTERESTS OF PANDUIT CORP.

PART NUMBER	DESCRIPTION	INSIDE DIM. IN. (mm)	"A"	"B"	"C"	DIA. DIM. IN (mm) "D"	STANDARD PKG.
PSL-CL480	LOCKOUT FOR 240-480 VOLT AC CORD	2.91 X 2.91 X 6.69 (74.0 X 74.0 X 170.0)	3.25 (83.0)	3.25 (83.0)	7.0 (177.8)	1.00 (25.4)	1



HOLES ACCOMMODATE LOCK WITH .35" (8.8mm) DIA. OR SMALLER SHACKLES. TYP. 3 PLCS.

NOTES:
1. MILLIMETERS SHOWN IN [].

REV	DATE	BY	CHK	DESCRIPTION	ECN	R	CUST	SUP
0	1/29/08	RVU		DRAWING RELEASE	5274	R		

CAD FILENAME/LAYERS 100619FK_C10635_PSL-CL480_00.prt	
PANDUIT CORP TINLEY PARK, ILLINOIS	
PSL-CL480	
UNLESS OTHERWISE SPECIFIED, DIMENSIONAL TOLERANCES ARE: (.X) ± (.XX) ±	UNLESS OTHERWISE SPECIFIED, ALL DIMENSIONS ARE GIVEN IN INCHES, THIRD ANGLE PROJECTION
DRAWN BY RVU	MAT'L:
DATE 1/29/08	POLYPROPYLENE, RED PANTONE PMS 186
SCALE NTS	DWG SIZE B
DRAWING NO. C10635	