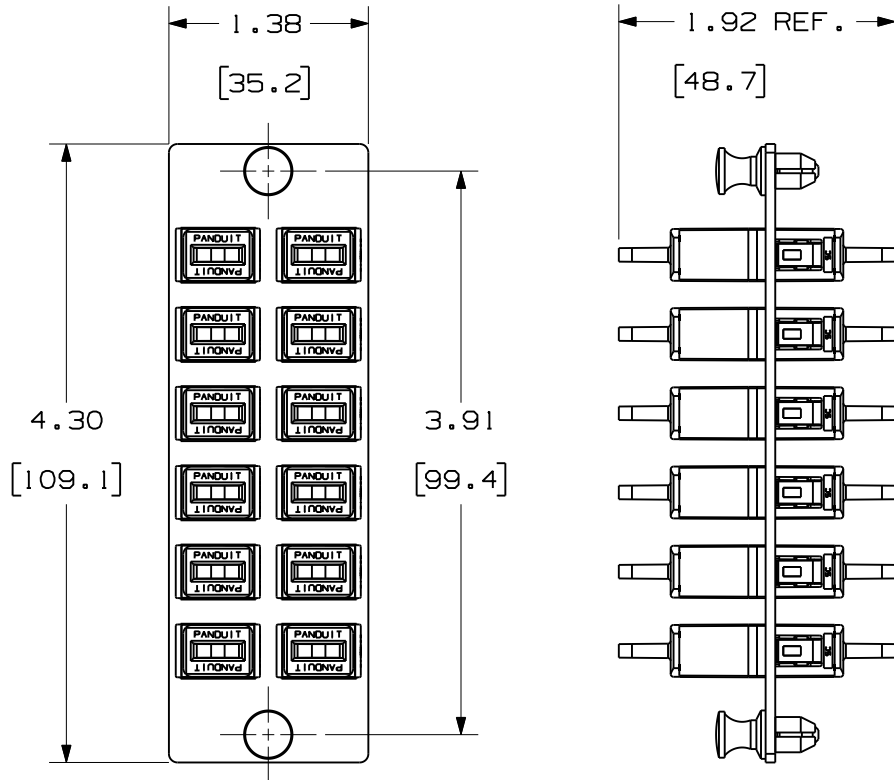


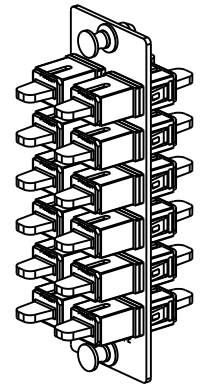
THIS COPY IS PROVIDED ON A RESTRICTED BASIS AND IS NOT TO BE USED IN ANY WAY DETRIMENTAL TO THE INTERESTS OF PANDUIT CORP.



| PANDUIT P/N | ADAPTER COLOR | SPLIT SLEEVE TYPE |
|-------------|----------------|-------------------|
| FAP12WE1SC | ELECTRIC IVORY | PHOS BRONZE |
| FAP12WBLSC | BLACK | PHOS BRONZE |
| FAP12WBUSCZ | BLUE | ZIRCONIA |
| FAP12WAGSCZ | APC GREEN | ZIRCONIA |

NOTES:

- SEE CURRENT CATALOG FOR PART NUMBER SUFFIXES TO INDICATE COLOR AND/OR PACKAGE QUANTITIES.
- SEE CATALOG FOR COMPLETE LIST OF PARTS APPLICABLE FOR USE WITH THIS PRODUCT.
- MATERIALS:
 - PLATE: C.R.S. POWDER COATED
 - ADAPTER: COMPOSITE
 - SPLIT SLEEVE: SEE TABLE
- DIMENSIONS IN BRACKETS ARE METRIC.

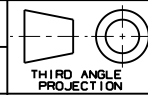


| REV | DATE | BY | CHK | DESCRIPTION | ECN | R | CUST | SUP | OTH |
|-----|----------|-----|-----|------------------------|----------|---|------|-----|-----|
| 01 | 01-29-09 | EFK | | RELEASED TO PRODUCTION | 01945-17 | | | | |

12 POSITION
SIMPLEX SC FIBER ADAPTER PANEL
CUSTOMER DRAWING



PANDUIT™
CORP.
TINLEY PARK, ILL 60477



ALL DIMENSIONS ARE GIVEN IN INCHES,
UNLESS OTHERWISE SPECIFIED,
DIMENSIONAL TOLERANCES ARE:
(.X) ±.03 (0.8) ANGLES
(.XXX) ±.010 (0.3)

DRAWING FILENAME
M01945AG_DC_00B.prt
SCALE
NONE

DRAWN BY
MC
DATE
09-02-04
CHK'D
TMS

REVIEW DRAWING NUMBERS

SEE NOTES

PART NO.
FAP12W**SC
FAP12W**SCZ
DRAWING NO.
01945-17
SIZE
A