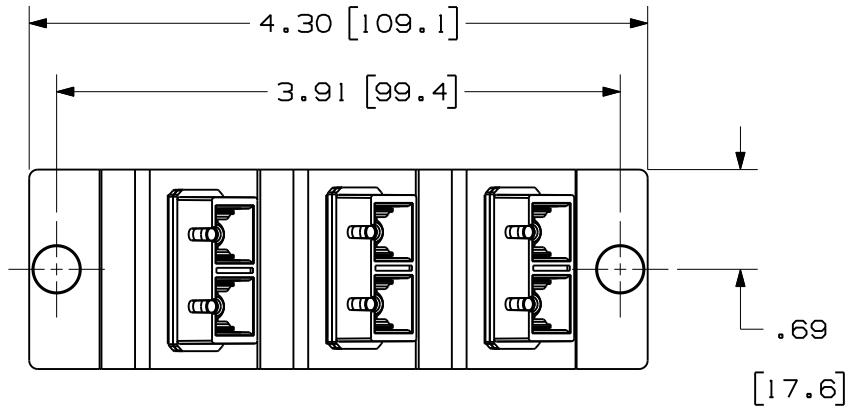
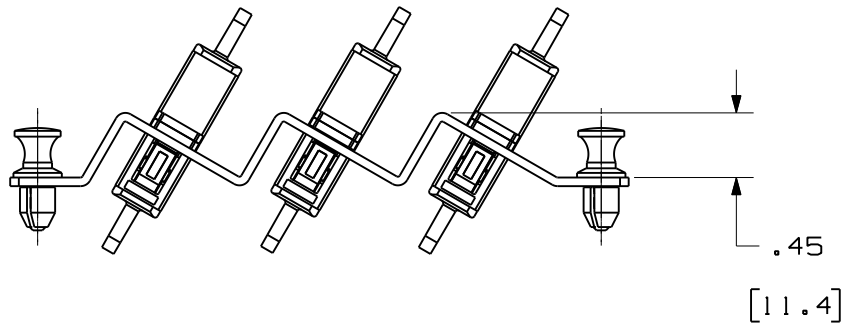


THIS COPY IS PROVIDED ON A RESTRICTED BASIS AND IS NOT TO BE USED IN ANY WAY DETRIMENTAL TO THE INTERESTS OF PANDUIT CORP



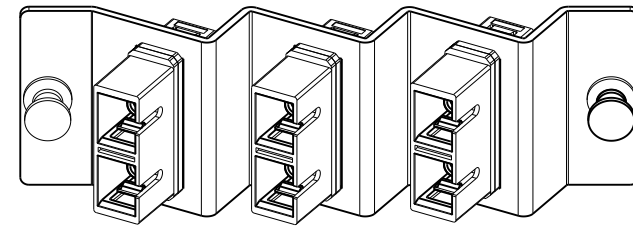
DUST CAPS REMOVED FOR CLARITY



PANDUIT P/N	ADAPTER COLOR	SPLIT SLEEVE TYPE
FAP3WEIDSCA	ELECTRIC IVORY	PHOS BRONZE
FAP3WBLDSCA	BLACK	

NOTES:

1. SEE CURRENT CATALOG FOR PART NUMBER SUFFIXES TO INDICATE COLOR AND/OR PACKAGE QUANTITIES.
2. SEE CATALOG FOR COMPLETE LIST OF PARTS APPLICABLE FOR USE WITH THIS PRODUCT.
3. MATERIALS:
 - a. PLATE: C.R.S. POWDER COATED
 - b. ADAPTER: COMPOSITE
 - c. SLEEVE: SEE TABLE
4. DIMENSIONS IN BRACKETS ARE METRIC.



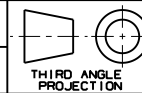
DUST CAPS REMOVED FOR CLARITY

REV	DATE	BY	CHK	DESCRIPTION	ECN	R	CUST	SUP	OTH
01	01-29-09	EFK		RELEASED TO PRODUCTION	01945-59				

3 POSITION ANGLED DUPLEX SC ADAPTER PANEL
CUSTOMER DRAWING



PANDUIT™
CORP.
TINLEY PARK, ILL 60477



ALL DIMENSIONS ARE GIVEN IN INCHES, UNLESS OTHERWISE SPECIFIED.
DIMENSIONAL TOLERANCES ARE:
(.X) (.XXX) ± .010 (0.3)
(.XX) ± .03 (0.8) ANGLES

DRAWING FILENAME
M01945AV_DC/00B

SCALE
0.75 : 1

DRAWN BY
JH

REVIEW DRAWING NUMBERS

PART NO.
FAP3W**DSCA

DATE
02-14-06

DRAWING NO.
01945-59

CHK'D
TMS

SIZE
A