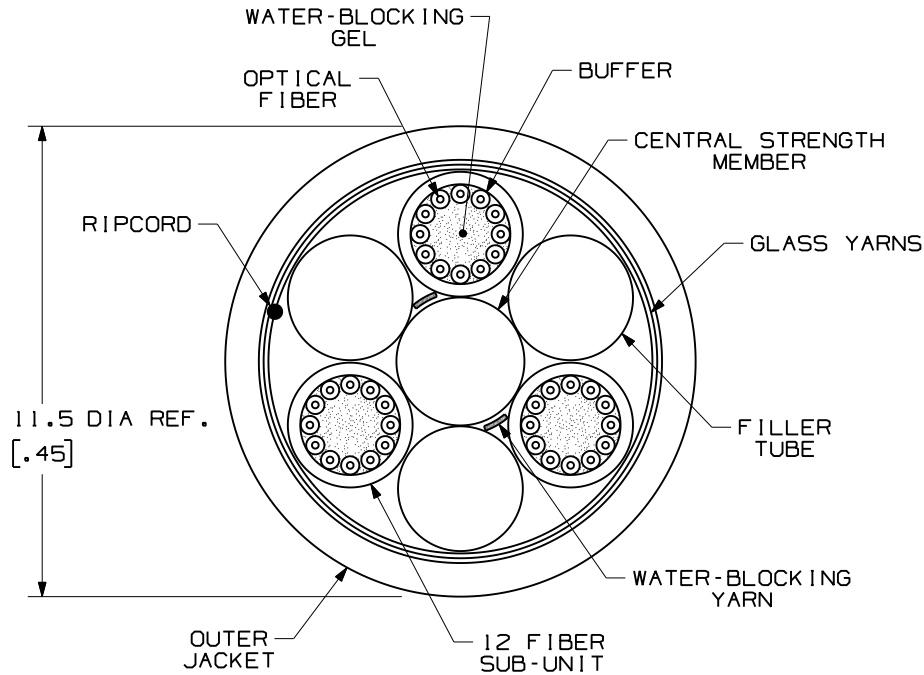


THIS COPY IS PROVIDED ON A RESTRICTED BASIS AND IS NOT TO BE USED IN ANY WAY DETRIMENTAL TO THE INTERESTS OF PANDUIT CORP.

NOTES:

1. DIAMETER DIMENSION, SHOWN FOR REFERENCE ONLY.
2. DIMENSIONS IN BRACKETS () ARE ENGLISH.
3. ALL MATERIALS AND COMPONENTS USED MUST MEET THE MATERIAL RESTRICTIONS OF RoHS (EUROPEAN DIRECTIVE 2002/95/EC ON THE RESTRICTION OF HAZARDOUS SUBSTANCES) AS PROPOSED BY THE RoHS TECHNICAL ADAPTATION COMMITTEE.



PART NUMBER	FIBER TYPE	JACKET RATING	JACKET COLOR
FLNR936Y	SINGLEMODE 9/125um	RISER	BLACK
FLNL936Y		LSZH	
FLNR636Y	MULTIMODE 62.5/125um	RISER	
FLNL636Y		LSZH	
FLNR536Y	MULTIMODE 50/125um	RISER	
FLNL536Y		LSZH	
FLNRX36Y	MULTIMODE 50/125um OM3	RISER	
FLNLX36Y		LSZH	
FLNRV36Y	MULTIMODE 50/125um OM3 150 METER LONG REACH	RISER	
FLNLV36Y		LSZH	
FLNRZ36Y	MULTIMODE 50/125um OM4	RISER	
FLNLZ36Y		LSZH	

TECHNICAL SPECIFICATIONS			
MAXIMUM LOSS - MULTIMODE		MAXIMUM LOSS - SINGLEMODE	
3.5 dB/KM @ 850nm 1.5 dB/KM @ 1300nm		.75 dB/KM @ 1310nm .75 dB/KM @ 1550nm	
BEND RADIUS		TENSILE LOAD	
INSTALLATION	LONG TERM	INSTALLATION	LONG TERM
230mm [9.0"]	115mm [4.5"]	2700 N [613 lbf]	1500 N [340 lbf]
TEMPERATURE			
INSTALLATION/OPERATION		STORAGE	
-20° C TO +60° C -4° F TO +140° F		-40° C TO +65° C -40° F TO +149° F	

REV	DATE	BY	CHK	DESCRIPTION	ECN	R	CUST	SUP	OTH
01	10-29-09	EFK		RELEASED TO PRODUCTION	02055-149				

OPTI-CORE 36 FIBER INDOOR-OUTDOOR CABLE WITH (3) 12 FIBER SUB-UNITS
CUSTOMER DRAWING

PANDUIT™
CORP.
TINLEY PARK, ILL 60477

ALL DIMENSIONS ARE GIVEN IN INCHES, UNLESS OTHERWISE SPECIFIED.
DIMENSIONAL TOLERANCES ARE:
(.X) (.XXX) ± 0.3 (.010)
(.XX) ± 0.8 (.03) ANGLES

DRAWING FILENAME: M02055CY_DC_36/00B
SCALE: NONE
PART NO.: FLNR*36Y
FLNL*36Y
DRAWING NO.: 02055-149
SIZE: A

THIRD ANGLE PROJECTION

DRAWN BY: EFK
DATE: 03-07-07
CHK'D: WMA