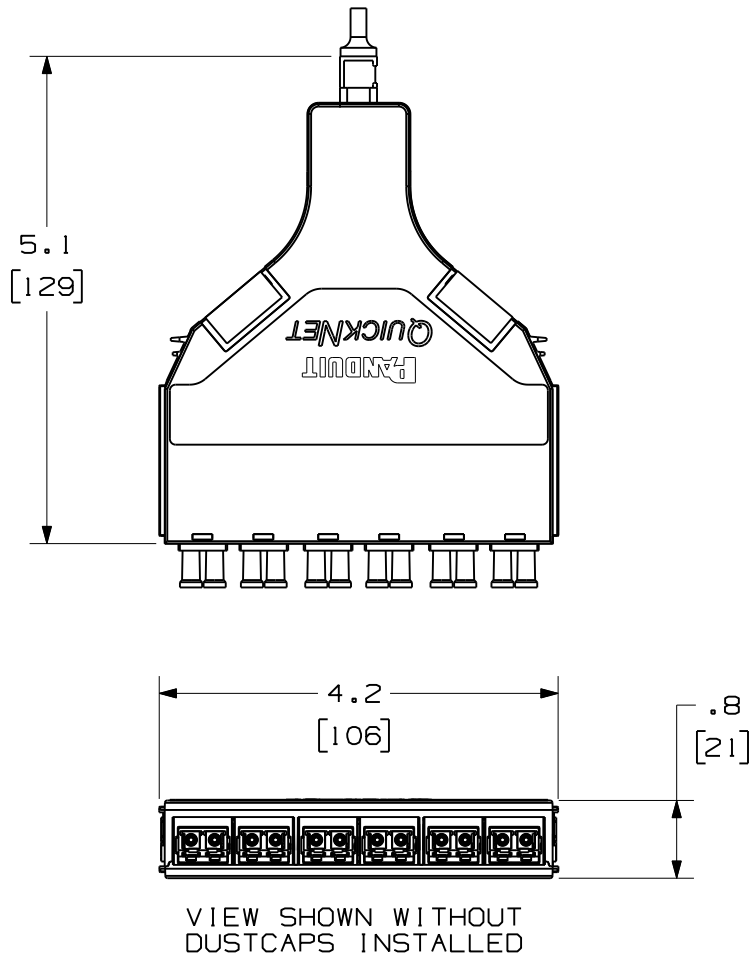


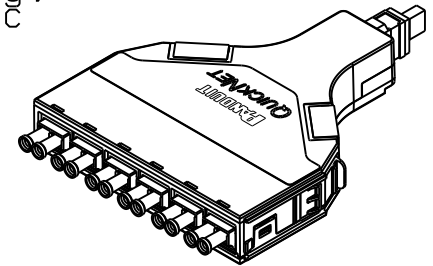
THIS COPY IS PROVIDED ON A RESTRICTED BASIS AND IS NOT TO BE USED IN ANY WAY DETRIMENTAL TO THE INTERESTS OF PANDUIT CORP.



PANDUIT PART NUMBER	DESCRIPTION
FQ5-12-10	50/125 MULTIMODE 12 FIBER, LC TO MTP CASSETTE
FQ6-12-10	62.5/125 MULTIMODE 12 FIBER, LC TO MTP CASSETTE
FQX-12-10	50/125 10GbE MULTIMODE 12 FIBER, LC TO MTP CASSETTE
FQX0-12-10	OPTIMIZED 50/125 10GbE MULTIMODE 12 FIBER, LC TO MTP CASSETTE
FQ9-12-10	9/125 SINGLEMODE 12 FIBER, LC TO MTP CASSETTE

NOTES:

- SEE CURRENT CATALOG FOR PART NUMBER SUFFIXES TO INDICATE COLOR AND/OR PACKAGE QUANTITIES.
- SEE CATALOG FOR A COMPLETE LIST OF PARTS APPLICABLE FOR USE WITH THIS PRODUCT
- MATERIALS:
 - MODULE MATERIAL: PLASTIC
 - ADAPTER: COMPOSITE PLASTIC
- CASSTTE MODULE WEIGHT: 2.8oz [80g]
- DIMENSIONS IN BRACKETS ARE METRIC



REV	DATE	BY	CHK	DESCRIPTION
R	09-19-08	EFK		RELEASED TO PRODUCTION

QUICKNET SFQ SERIES CASSETTE
12 FIBER, LC TO MTP CONFIGURATION
CUSTOMER DRAWING

PANDUIT™
CORP.
TINLEY PARK, ILL 60477

ALL DIMENSIONS ARE GIVEN IN INCHES, UNLESS OTHERWISE SPECIFIED.
DIMENSIONAL TOLERANCES ARE:
(.X) (.XXX) ± .010 (0.3)
(.XX) ± .03 (0.8) ANGLES

THIRD ANGLE PROJECTION

DRAWING FILENAME: MO2947AT_FQ-12-10_DC/00A.prt
SCALE: NONE
PART NO.: FQ*-12-10
DRAWING NO.: 02947-30
SIZE: A

DRAWN BY: EFK
DATE: 09-19-08
REVIEW DRAWING NUMBERS:
CHK'D: