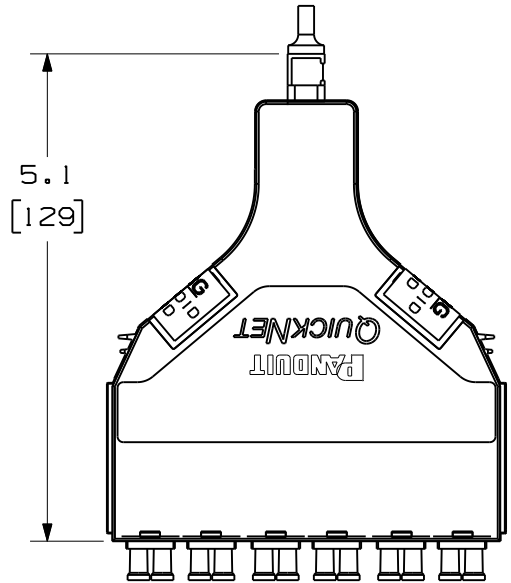


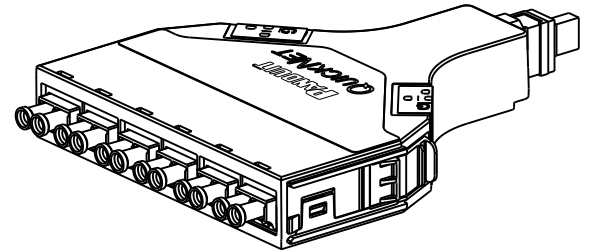
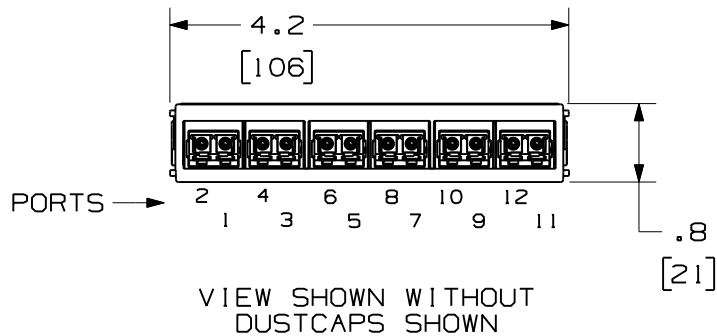
THIS COPY IS PROVIDED ON A RESTRICTED BASIS AND IS NOT TO BE USED IN ANY WAY DETRIMENTAL TO THE INTERESTS OF PANDUIT CORP.



PANDUIT PART NUMBER	DESCRIPTION
FQZ-12-10B	50/125 10GbE OM4 MULTIMODE FLIPPED 12 FIBER LC TO MTP CASSETTE
FQZ0-12-10B	OPTIMIZED 50/125 10GbE OM4 MULTIMODE FLIPPED 12 FIBER LC TO MTP CASSETTE

NOTES:

1. SEE CURRENT CATALOG FOR PART NUMBER SUFFIXES TO INDICATE COLOR AND/OR PACKAGE QUANTITIES.
2. SEE CATALOG FOR A COMPLETE LIST OF PARTS APPLICABLE FOR USE WITH THIS PRODUCT.
3. MATERIALS:
 - a. MODULE MATERIAL: PLASTIC
 - b. ADAPTER: COMPOSITE PLASTIC
4. CASSETTE MODULE WEIGHT: 2.4oz [69.0g]
5. DIMENSIONS IN BRACKETS ARE METRIC



REV	DATE	BY	CHK	DESCRIPTION	ECN	R	CUST	SUP	OTH
R	07-17-09	EFK		RELEASED TO PRODUCTION	02947-39				

QUICKNET SFQ SERIES CASSETTE
 FLIPPED 12 FIBER, LC TO MTP CONFIGURATION
 CUSTOMER DRAWING

	ALL DIMENSIONS ARE GIVEN IN INCHES, UNLESS OTHERWISE SPECIFIED. DIMENSIONAL TOLERANCES ARE: (.X) ±.03 (.XXX) ±.010 (.3) ±.03 (.8) ANGLES		DRAWING FILENAME M02947ZE_DC/00A
	THIRD ANGLE PROJECTION	SCALE NONE	PART NO. FQ**-12-10B
DRAWN BY EFK	REVIEW DRAWING NUMBERS	DRAWING NO. 02947-39	SIZE A