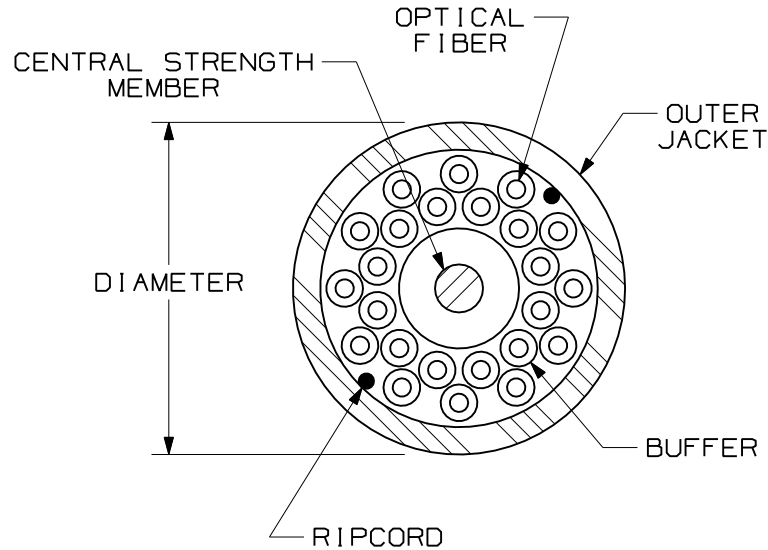


THIS COPY IS PROVIDED ON A RESTRICTED BASIS AND IS NOT TO BE USED IN ANY WAY DETRIMENTAL TO THE INTERESTS OF PANDUIT CORP.




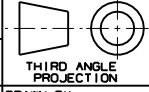
WEIGHT OF 2.5km REEL/BOX	
OFNP	OFNR
558.7 kg (1231.8 lbs)	615.0 kg (1355.9 lbs)

TYPE/DESCRIPTION	COLOR	MAXIMUM LOSS
MULTIMODE 50/125 μ m 24 FIBER DISTRIBUTION CABLE W/900 μ m TIGHT BUFFER	ORANGE	3.5 dB/KM @ 850nm 1.5 dB/KM @ 1300nm

PLENUM - FSDP524Y			
TENSILE LOAD		BEND RADIUS	
INSTALLATION	LONG TERM	INSTALLATION	LONG TERM
1780 N (400 lbf)	534 N (120 lbf)	277mm (10.9 in)	183mm (7.2 in)
CABLE DIAMETER (REFERENCE ONLY)	TEMPERATURE		
	INSTALLATION/OPERATION		STORAGE
6.7mm DIA (0.290")	0°C TO +50°C 32°F TO +122°F		-40°C TO +65°C -40°F TO +149°F

RISER RATED - FSDR524Y			
TENSILE LOAD		BEND RADIUS	
INSTALLATION	LONG TERM	INSTALLATION	LONG TERM
1780 N (400 lbf)	534 N (120 lbf)	128mm (5.0 in)	85mm (3.4 in)
CABLE DIAMETER (REFERENCE ONLY)	TEMPERATURE		
	INSTALLATION/OPERATION		STORAGE
8.5mm DIA (0.335")	-20°C TO +50°C -4°F TO +122°F		-40°C TO +65°C -40°F TO +149°F

- NOTES:
- DIAMETER DIMENSION SHOWN FOR REFERENCE ONLY.
 - CABLE SUPPLIED IN 2500 METER (8202 FT) LENGTHS.
 - FOR PART NUMBERS AND LENGTHS OTHER THAN THOSE SHOWN, CONTACT YOUR PANDUIT SALES PERSON.
 - ALL MATERIALS AND COMPONENTS USED MUST MEET THE MATERIAL RESTRICTIONS OF RoHS, (EUROPEAN DIRECTIVE 2002/95/EC ON THE RESTRICTIONS OF HAZARDOUS SUBSTANCES) AS PROPOSED BY THE RoHS TECHNICAL ADAPTATION COMMITTEE.

										MULTIMODE 50/125 μ m OPTI-CORE 24 FIBER DISTRIBUTION CABLE W/900 μ m TIGHT BUFFER CUSTOMER DRAWING	
										 PANDUIT ™ CORP. TINLEY PARK, ILL 60477	
										 THIRD ANGLE PROJECTION ALL DIMENSIONS ARE GIVEN IN INCHES, UNLESS OTHERWISE SPECIFIED. DIMENSIONAL TOLERANCES ARE: (.X) (.XXX) ±.010 (0.3) (.XX) ±.03 (0.8) ANGLES	
										DRAWING FILENAME MO2055BG_DC_24-50_00B.prt	
										SCALE NONE	
										PART NO. FSDP524Y FSDR524Y	
										DRAWING NO. 02055-40	
										SIZE A	
01	01-24-07	EFK		RELEASED TO PRODUCTION	02055-40						DATE 08-25-04
REV	DATE	BY	CHK	DESCRIPTION	ECN	R	CUST	SUP	OTH	CHK'D	