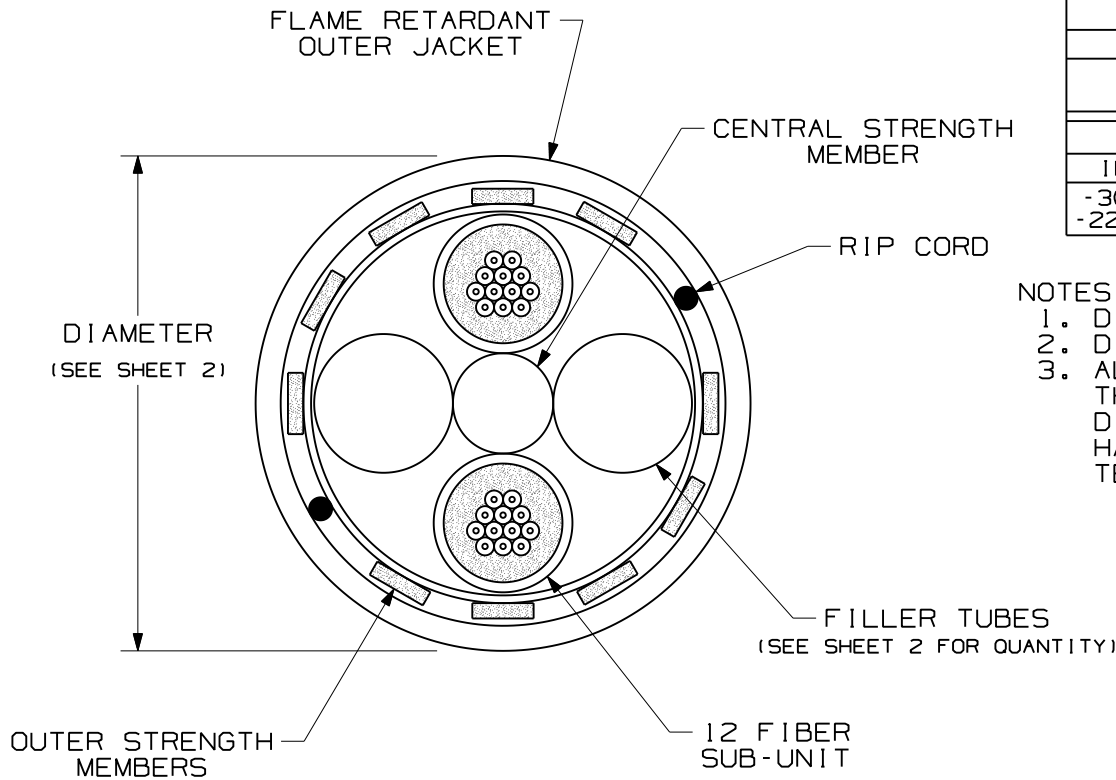


THIS COPY IS PROVIDED ON A RESTRICTED BASIS AND IS NOT TO BE USED IN ANY WAY DETRIMENTAL TO THE INTERESTS OF PANDUIT CORP.

| TECHNICAL SPECIFICATIONS | | |
|---|---------------------------------------|--|
| MAXIMUM LOSS | | SINGLEMODE MAXIMUM LOSS |
| 3.5 dB/KM @ 850nm 1.5 dB/KM @ 1300nm | | .75 dB/KM @ 1310nm .75 dB/KM @ 1500nm |
| TENSILE LOAD - RISER RATED | | |
| INSTALLATION | | LONG TERM |
| 2670 N (600 lbf) | | 890 N (200 lbf) |
| TEMPERATURE | | |
| INSTALLATION | OPERATION | STORAGE |
| -30° C TO +60° C -22° F TO +140° F | -40° C TO +70° C -40° F TO +158° F | -40° C TO +75° C -40° F TO +167° F |




NOTES:

1. DIAMETER DIMENSION, SHOWN FOR REFERENCE ONLY.
2. DIMENSIONS IN BRACKETS () ARE ENGLISH.
3. ALL MATERIALS AND COMPONENTS USED MUST MEET THE MATERIAL RESTRICTIONS OF RoHS (EUROPEAN DIRECTIVE 2002/95/EC ON THE RESTRICTION OF HAZARDOUS SUBSTANCES) AS PROPOSED BY THE RoHS TECHNICAL ADAPTATION COMMITTEE.

| REV | DATE | BY | CHK | DESCRIPTION | ECN | R | CUST | SUP | OTH |
|-----|----------|-----|-----|------------------------|-----------|---|------|-----|-----|
| 01 | 02-21-07 | EFK | | RELEASED TO PRODUCTION | 02055-181 | | | | |

OPTI-CORE 24 FIBER INDOOR-OUTDOOR CABLE
WITH (2) 12 FIBER SUB-UNITS
CUSTOMER DRAWING



PANDUIT™
CORP.
TINLEY PARK, ILL 60477

ALL DIMENSIONS ARE GIVEN IN INCHES,
UNLESS OTHERWISE SPECIFIED,
DIMENSIONAL TOLERANCES ARE:
(.X) (.XXX) ±0.3 (.010)
(.XX) ±0.8 (.03) ANGLES

THIRD ANGLE PROJECTION

DRAWING FILENAME: M02055BZ_DC_24/00B
SCALE: NONE
PART NO.: FSN**24Y
FON**24Y
DRAWING NO.: 02055-181
SIZE: A
SHEET 1 OF 2

DRAWN BY: EFK
DATE: 02-21-07
CHECK'D: WMA
REVIEW DRAWING NUMBERS:

