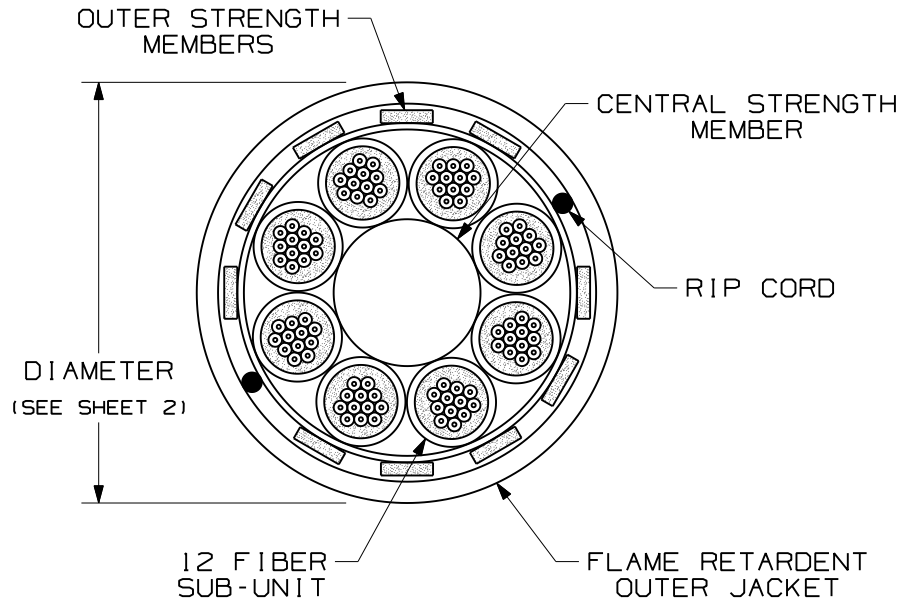


THIS COPY IS PROVIDED ON A RESTRICTED BASIS AND IS NOT TO BE USED IN ANY WAY DETRIMENTAL TO THE INTERESTS OF PANDUIT CORP

NOTES:

1. DIAMETER DIMENSION SHOWN FOR REFERENCE ONLY.
2. DIMENSIONS IN BRACKETS ( ) ARE ENGLISH.
3. ALL MATERIALS AND COMPONENTS USED MUST MEET THE MATERIAL RESTRICTIONS OF RoHS (EUROPEAN DIRECTIVE 2002/95/EC ON THE RESTRICTION OF HAZARDOUS SUBSTANCES AS PROPOSED BY THE RoHS TECHNICAL ADAPTATION COMMITTEE.



TECHNICAL SPECIFICATIONS		
MAXIMUM LOSS		SINGLEMODE MAXIMUM LOSS
3.5 dB/KM @ 850nm 1.5 dB/KM @ 1300nm		.75 dB/KM @ 1310nm .75 dB/KM @ 1500nm
TENSILE LOAD - RISER RATED		
INSTALLATION		LONG TERM
2670 N (600 lbf)		890 N (200 lbf)
TEMPERATURE		
INSTALLATION	OPERATION	STORAGE
-30° C TO +60° C -22° F TO +140° F	-40° C TO +70° C -40° F TO +158° F	-40° C TO +75° C -40° F TO +167° F

REV	DATE	BY	CHK	DESCRIPTION	ECN	R	CUST	SUP	OTH
02	10-28-09	EFK		RELEASED TO PRODUCTION	02055-92				

OPTI-CORE 96 FIBER INDOOR-OUTDOOR CABLE WITH (8) 12 FIBER SUB-UNITS  
CUSTOMER DRAWING

**PANDUIT**™  
CORP.  
TINLEY PARK, ILL 60477

ALL DIMENSIONS ARE GIVEN IN INCHES, UNLESS OTHERWISE SPECIFIED.  
DIMENSIONAL TOLERANCES ARE:  
(.X) (.XXX) ±0.3 (.010)  
(.XX) ±0.8 (.03) ANGLES

THIRD ANGLE PROJECTION

DRAWING FILENAME: M02055BZ\_DC\_96/00C  
SCALE: NONE  
PART NO.: FSN\*\*96Y  
FON\*\*96Y  
DRAWING NO.: 02055-92  
SIZE: A  
SHEET 1 OF 2

DRAWN BY: MC  
DATE: 06-03-05  
CHECK'D: WMA  
REVIEW DRAWING NUMBERS:

