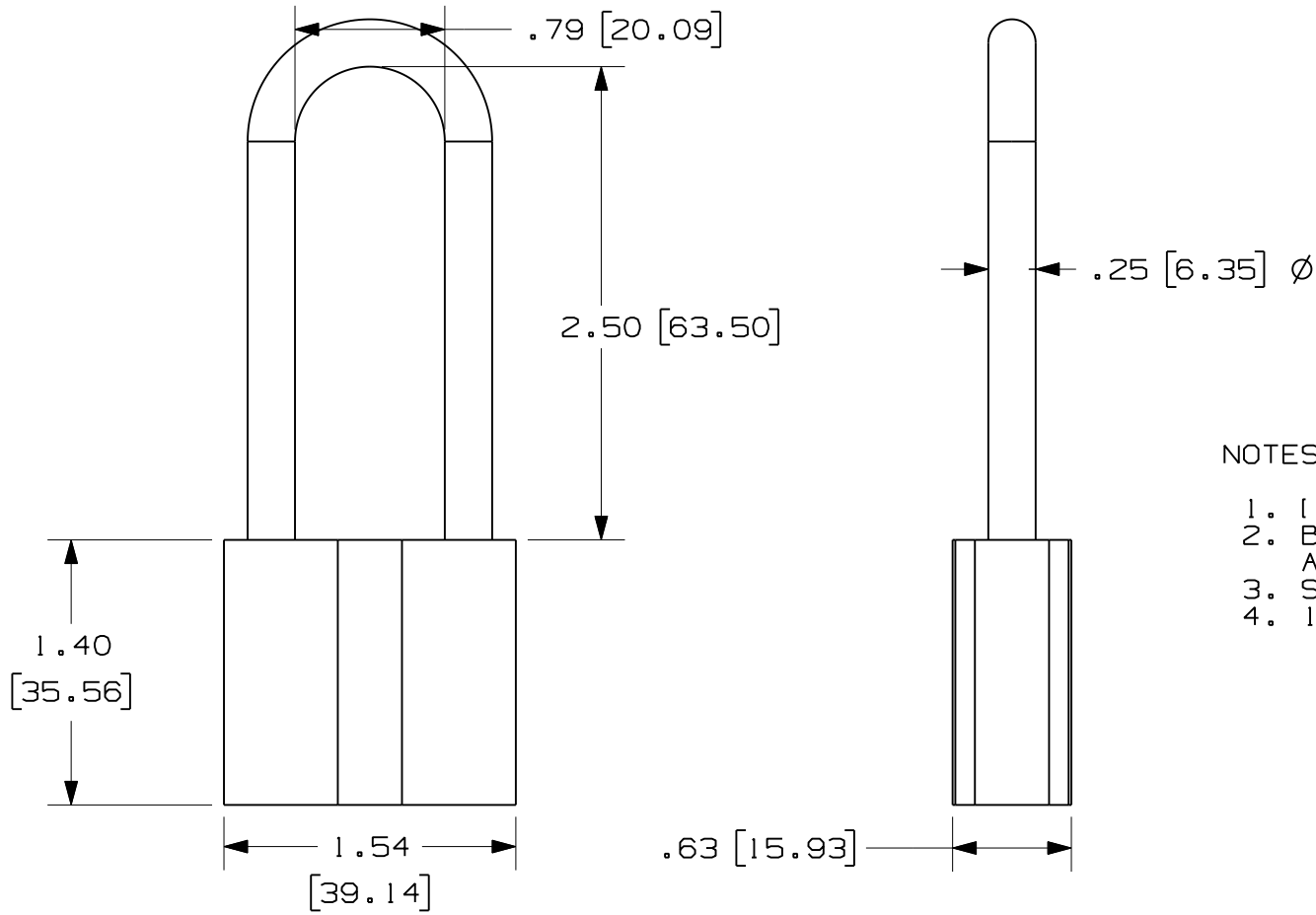


THIS COPY IS PROVIDED ON A RESTRICTED BASIS AND IS NOT TO BE USED IN ANY WAY DETRIMENTAL TO THE INTERESTS OF PANDUIT CORP.



NOTES:

1. [] DENOTE MILLIMETERS
2. BODY IS SOLID BRASS WITH A BRUSHED CHROME PLATING
3. SHACKLE IS STAINLESS STEEL
4. 10,000 KEY COMBINATION

CAD FILENAME/LAYERS 100923CS_DC_C10955/00A

PANDUIT CORP. TINLEY PARK, ILLINOIS

PSL-9-LS CUSTOMER DRAWING
HARSH ENVIRONMENT
LONG SHACKLE PADLOCK

UNLESS OTHERWISE SPECIFIED,
DIMENSIONAL TOLERANCES ARE:
(.X) ± .1 (.XXX) ± .03
(.XX) ± .05 ANGLES ± 5°

UNLESS OTHERWISE SPECIFIED,
ALL DIMENSIONS ARE GIVEN
IN INCHES, THIRD ANGLE PROJECTION.

DRAWN BY
JHAC

MAT'L:

SCALE 1 : 1

DATE
10/20/11

BRUSHED CHROME
PLATED BRASS

DRAWING NO.
C10955

DWG
A
SIZE

0	10/20/11	JHAC		DRAWING RELEASE	6549				
REV	DATE	BY	CHK	DESCRIPTION	ECN	R	CUST	SUP	

Signature