

specifications

Category 6A/Class E_A, keyed shielded patch cords shall be constructed of 26 AWG shielded stranded copper cable with a keyed modular plug on one end and a non-keyed modular plug on the other end. Keyed modular plugs shall be mechanically keyed with color-specific positive and negative keying features to prevent unintentional mating with unlike keyed or non-keyed jack modules. Copper conductors in patch cable shall be twisted in pairs and separated by a quadrant separator. All four pairs shall be surrounded by a foil shield and a flame retardant jacket. Patch cords shall be used in all work area outlets and patch panels and shall be compatible with both T568A and T568B wiring schemes.



technical information

Category 6A/ISO 11801 Class E_A channel performance: Certified channel performance in a 4-connector configuration up to 100 meters and exceeds the requirements of ANSI/TIA/EIA568-B.2-10, ISO 11801 Class E_A Edition 2.1, and IEEE 802.3an-2006, standards for supporting 10GBASE-T transmission over copper twisted pair cabling when used as part of the PANDUIT® TX6™ 10Gig™ Shielded Copper Cabling System

Cable diameter:	TBD
FCC compliance:	Meets ANSI/TIA-968-A; contacts plated with 50 microinches of gold for superior performance
IEC compliance:	Meets IEC 60603-7
PoE compliance:	Meets IEEE 802.3af and draft requirements of IEEE 802.3at for PoE Plus
UL rated:	No. 1863

key features and benefits

Color-specific keys with positive and negative keying features	Mechanically and visually distinguish connections to prevent unintentional insertion into unlike keyed or non-keyed ports, all network design flexibility and versatility, and accommodate more discrete networks
100% performance tested	Confidence that each patch cord delivers specified performance
Center de-embedded plug	Performs in center of ANSI/TIA/EIA 568-B.2-1 component range ensuring interoperability and superior performance
Integral pair manager	Optimizes performance, consistency, and reliability by reducing untwist at plug
Patented tangle-free latch	Prevents snags and provides easy release, saving time and providing reliability on frequent moves, adds, and changes
Slender strain relief boot	Provides easy access in high-density applications
Robust construction	Rated to 2500 mating cycles
Identification	Provides identification of performance level, length, and quality control number for future traceability
Variety of colors and lengths	Meets individual length and color-coding requirements for greater system flexibility
Color bands (optional)	Snap onto cable, allowing additional color-coding options

applications

The TX6A™ 10Gig™ Keyed Shielded Patch Cords are a component of the PANDUIT® TX6A™ 10Gig™ Shielded Copper Cabling System. Keyed connectivity enables a level of visual and mechanical differentiation, and physical layer security that conventional cabling systems cannot provide. This end-to-end system provides a cost-effective medium for ensuring that network bandwidth needs are easily met today and tomorrow. This shielded cabling system provides high performance, excellent EMI suppression, and aids in secure data transmission. Usage of the TX6A™ 10Gig™ Shielded Copper Cabling System includes high bandwidth applications within data centers and connections to high-end workstations. Key applications include:

- 10GBASE-T Ethernet
- Data center server virtualization
- Back-bone aggregation
- Data center I/O consolidation
- Consolidation of network interconnects
- Parallel processing and high speed computing

TX6A™ 10Gig™ Keyed Shielded Copper Cabling System

TX6A™ 10Gig™ Keyed Shielded Patch Cords

Keyed A (black):	STPK6X*BL
Keyed B (red):	STPK6X*RD
Keyed C (green):	STPK6X*GR
Keyed D (yellow):	STPK6X*YL
Keyed E (orange):	STPK6X*OR
Keyed F (blue):	STPK6X*BU

MINI-COM® TX6A™ 10Gig™ Keyed Shielded Jack Modules

Keyed A (black):	CJSK6X88TGBL
Keyed B (red):	CJSK6X88TGRD
Keyed C (green):	CJSK6X88TGGR
Keyed D (yellow):	CJSK6X88TGYL
Keyed E (orange):	CJSK6X88TGOR
Keyed F (blue):	CJSK6X88TGBU

TX6A™ 10Gig™ Shielded Copper Cable

Plenum:	PSP6004**-UGY
Riser:	PSR6004**-UGY

MINI-COM® Angled Flush Mount Modular Patch Panels

24-port, 1RU:	CPPA24FMWBLY
48-port, 2RU:	CPPA48FMWBLY

MINI-COM® Flat Flush Mount Modular Patch Panels

24-port, 1RU:	CPP24FMWBLY
48-port, 2RU:	CPP48FMWBLY
72-port, 2RU:	CPP72FMWBLY

For additional modular patch panels reference www.panduit.com

Tools and Accessories

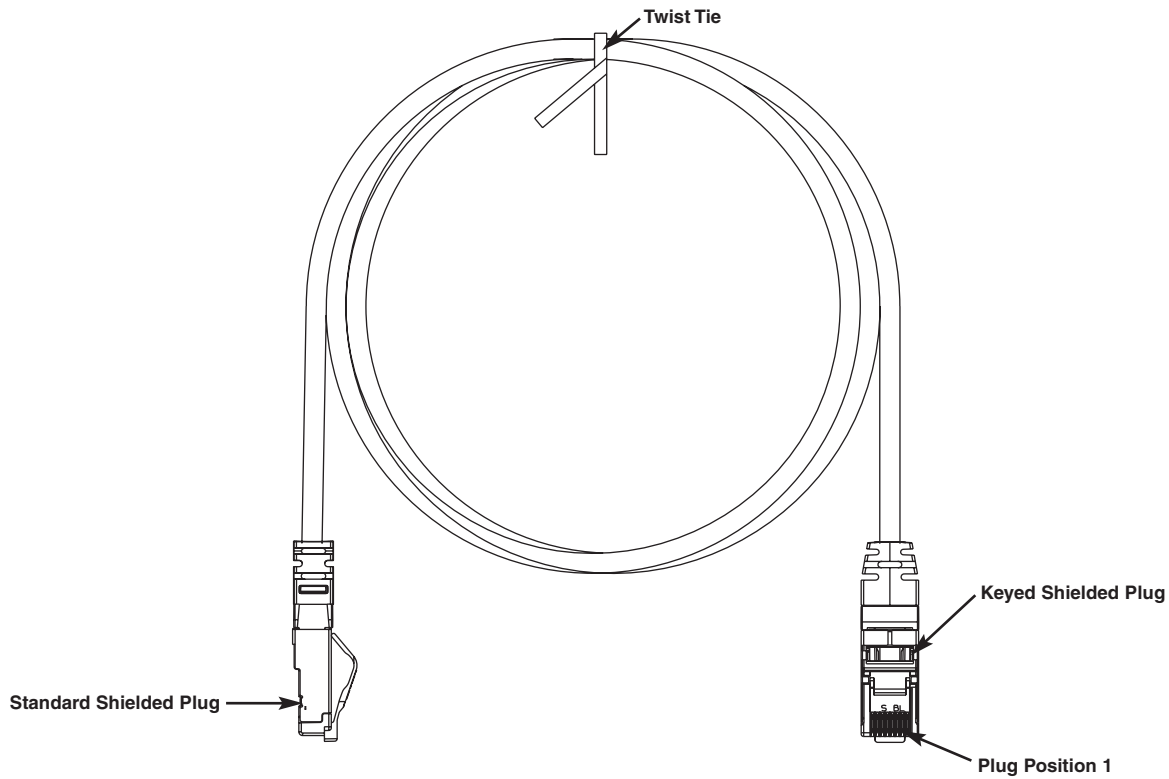
Patch cord removal tool:	PCRT1
Flashlight kit:	KPCRT1-FL
Patch cord color band:	PCBAND^Q

*Substitute for length in feet: 3, 5, 7, 10 or 14 feet. Contact customer service for universal reference patch cords.

**To designate color, add suffix BU (Blue), WH (White), IG (International Gray) or YL (Yellow). For additional colors, contact customer service.

^To designate color, add suffix WH (White), EI (Electric Ivory), IG (Int'l Gray), BL (Black), BU (Blue), RD (Red), YL (Yellow), GR (Green), OR (Orange) or VL (Violet) before -Q in part number. 25/package.

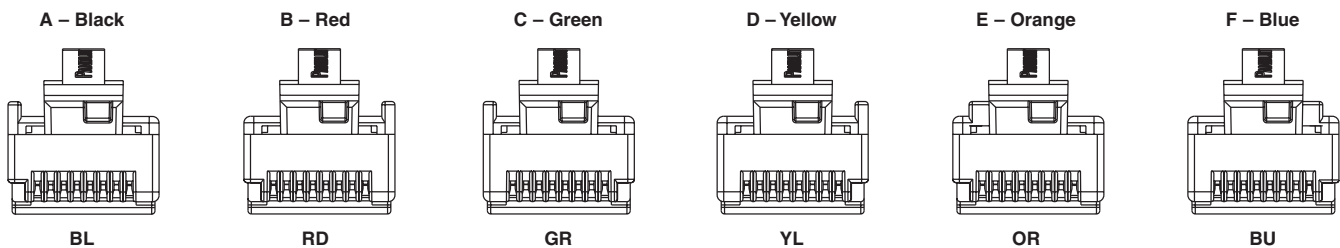
TX6A™ 10Gig™ Keyed Shielded Patch Cords



T568B Wiring Scheme

Plug Position	Cable Wire
1	White/Orange
2	Orange
3	White/Green
4	Blue
5	White/Blue
6	Green
7	White/Brown
8	Brown

Shielded Patch Cord Color/Key Code



WORLDWIDE SUBSIDIARIES AND SALES OFFICES

PANDUIT CANADA
Markham, Ontario
cs-cdn@panduit.com
Phone: 800.777.3300

PANDUIT EUROPE LTD.
London, UK
cs-emea@panduit.com
Phone: 44.20.8601.7200

PANDUIT SINGAPORE PTE. LTD.
Republic of Singapore
cs-ap@panduit.com
Phone: 65.6305.7575

PANDUIT JAPAN
Tokyo, Japan
cs-japan@panduit.com
Phone: 81.3.6863.6000

PANDUIT LATIN AMERICA
Jalisco, Mexico
cs-la@panduit.com
Phone: 52.333.777.6000

PANDUIT AUSTRALIA PTY. LTD.
Victoria, Australia
cs-aus@panduit.com
Phone: 61.3.9794.9020

For a copy of PANDUIT product warranties, log on to www.panduit.com/warranty



For more information
Visit us at www.panduit.com
Contact Customer Service by email: cs@panduit.com
or by phone: 800-777-3300 and reference COSP161

© 2009 PANDUIT Corp.
ALL RIGHTS RESERVED.
WW-COSP161
3/2009