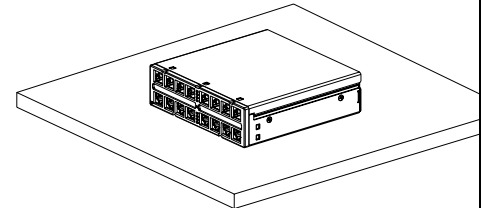
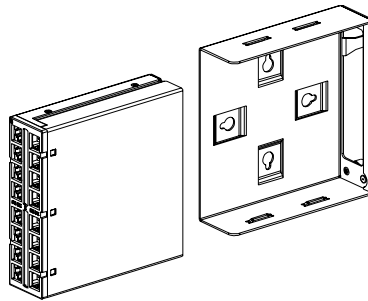
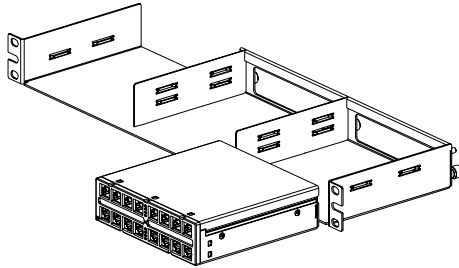


1. Rack-Mount Installation

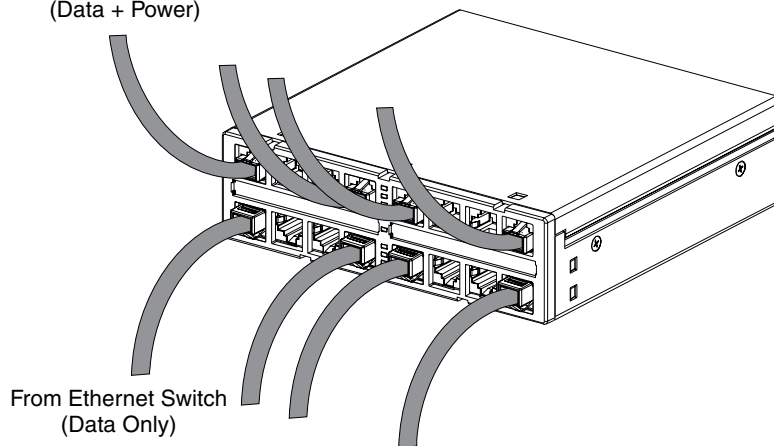
Wall-Mount Installation

Tabletop Installation



The *PANDUIT DPoE Compact 8 Midspan* may be installed in a standard 19" rack with the *DPoE 1RU Shelf* (*PANDUIT* part no. DPOESHELF), on a wall with the *DPoE Wall Mount Bracket* (*PANDUIT* part no. DPOEWM8B) or directly on a tabletop with the rubber feet included in the *DPoE Compact 8 Midspan Kit*.

2. To Powered Ethernet Device (Data + Power)



INSTALLATION ADVISORY:

- Ensure that cabling to powered devices is protected from inductive coupling from nearby power cables and other sources.
- Ensure that powered devices are properly installed and grounded (according to manufacturer's recommendations), and all the cabling and connections are isolated from external surges.

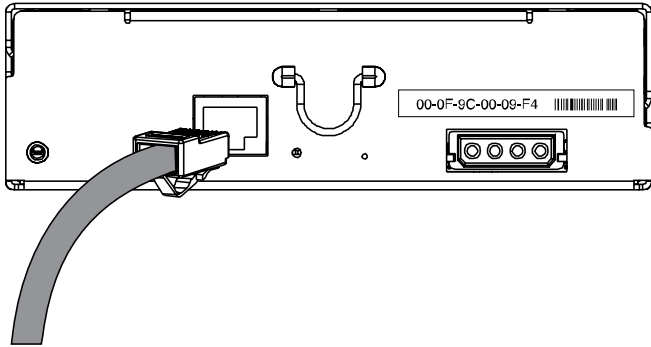
NOTE:

When installing cabling and making connections to the DPOE8S2XG, follow all local standards as well as the applicable TIA-942 standards and IEEE 802.3 (Ethernet) standards.

Connect patch cords from an Ethernet switch to the bottom row of RJ45 connectors on the *DPoE Compact 8 Midspan*. Complete the data path by connecting the top row of RJ45 connectors to powered devices either directly or through a patch panel. The upper set of LED's indicate the status of ports 1-4. The center LED indicates the status of the power midspan. The lower set of LED's indicate the status of ports 5-8. Label ports using the blank *PANDUIT ULTIMATE ID* labels and covers and record this information, along with unit specific information, on the *DPoE Installation Worksheet* (*PANDUIT* part no. PN377*).

* Denotes revision letter.

3. (Optional)

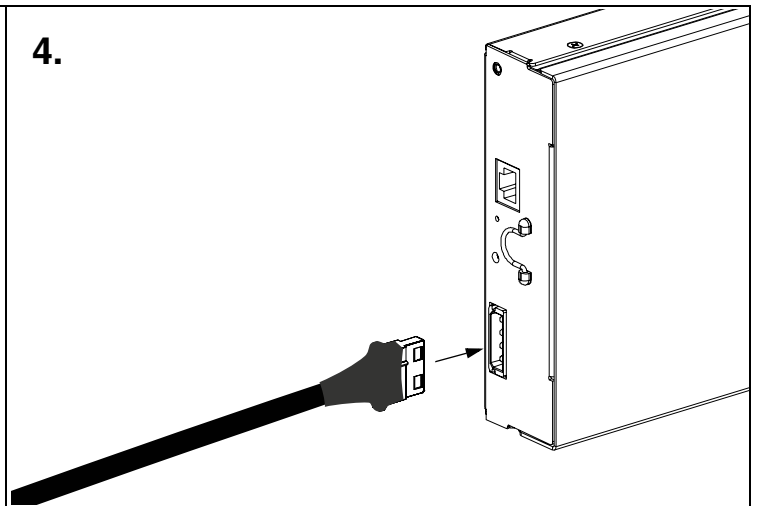


From Network

To use the optional remote management interface, install the *DPoE* Element Manager software, included on the enclosed CD, on a computer that supports network communication to the *DPoE* Compact 8 Midspan. Using a patch cord, connect the management port on the rear of the power midspan to an Ethernet switch. A DHCP server must be on the network.

The latest version of software products may be downloaded at www.panduit.com/managednetworksolutions

4.



To supply power to the *DPoE* Compact 8 Midspan using a *DPoE* Power Supply (*PANDUIT* part no. DPOEPWRB120Y), simply mate the attached power connector to the power midspan and then connect AC power to the *DPoE* Power Supply. To supply power using the rack mounted *DPoE* Power System (*PANDUIT* part no. DPOEPWRCU with a DPOEPWRR500 or DPOEPWRR1250), remove power from the port on the *DPoE* Power System (remove the fuse for the port). Insert the provided 10' power harness into the panel power connector. Connect the other end of the harness to the appropriate port on the *DPoE* Power System. Butt splices are provided to extend the power harness (refer to user guide for maximum length). Then apply power to the port by inserting the appropriate fuse in the *DPoE* Power System.

DPoE European (EMC) Warning:

Product is not intended for use in a residential environment. Use of this product in residential areas may cause electromagnetic interference.

ATTENTION:

Observe precautions for handling electrostatic sensitive electronic devices when installing this product. Ensure that you are properly grounded with a wrist strap or equivalent while making connections to the product. Never make any connections to the product when power is being applied.

Notes:

1. *DPoE* Compact 8 Midspan cannot be used for analog or non-Ethernet devices.
2. *PANDUIT STRUCTUREDGROUND Kits for Data Center Rack Grounding* can be used to properly ground *PANDUIT NETRACK* Rack Systems and racks from most other manufacturers.
3. Never touch uninsulated communications wiring or terminals unless the communication line has been disconnected at the network interface.
4. Only trained and qualified service personnel should service *DPoE* Compact 8 Midspans.
5. Before installing or servicing the *DPoE* Compact 8 Midspan or communication wiring, be aware of the hazards with the associated electrical circuitry.

For Instructions in Local Languages
and Technical Support:

www.panduit.com/resources/install_maintain.asp



www.panduit.com

E-mail:
cs@panduit.com

Fax:
(708) 444-6993