

Pre-Configured Network Zone System

PANDUIT®

SPECIFICATION SHEET

specifications

The pre-configured network zone system shall be validated to accommodate one or two industrial switches with optional expansion modules, and power supply for use in an EtherNet/IP* zone architecture/topology. The enclosure shall be UL Type 4/12/4X and IP66 rated. A removable pre-engineered back plate with DIN rails installed shall be incorporated in the enclosure to enable rapid installation of switch, power supply and uninterruptible power supply (UPS). Pre-installed accessory side panels, fiber slack spool, and L rings shall be included for cable management. The door shall be secured with 3mm double bit or slotted latch drive feature. The door shall hinge on the right or left. Class 2 power circuits shall be pre-wired, labeled, and tested. A barrier shall be present to isolate IT personnel from high voltage power circuit.



technical information

Standards:	UL 508A Standard for Industrial Control Panels, UL Type 4/12 or 4X, IP66 Rated
Dimensions:	Z23C with mounting angles: 40.0"H x 24.0"W x 11.7"D (1016mm x 610mm x 297mm) Without mounting angles: 36.0"H x 24.0" W x 11.7"D (914mm x 610mm x 297 mm) Z22C with mounting angles: 28.0"H x 24.0" W x 11.7"D (711mm x 610mm x 297mm) Without mounting angles: 24.0"H x 24.0" W x 11.7"D (610mm x 610mm x 297 mm) Z11C with mounting angles: 18.0"H x 12.0" W x 9.7"D (457mm x 305mm x 247mm)
Color and material:	Enclosures: Gray, 14 gauge cold roll steel or 316 stainless steel Back panels: 14 gauge galvanized steel or 304 stainless steel
Thermal analysis:	Validated to 140°F/60°C
Mounting:	Wall mount with optional outside-mount flange

key features and benefits

Pre-configured solution:	Reduces time required for planning, designing, procurement, and installation, resulting in simpler specification and faster implementation
Patch field and copper / fiber connectivity	Enables troubleshooting of network connections and verification of field terminations
Defined equipment locations and cable routings:	Incorporate Panduit developed best practices in connectivity, cable management, wiring, and grounding in a secure enclosure to ensure network reliability
Isolation barrier	Segregates higher line voltage from lower voltage switch for increased safety
Bonding provisions and grounding bar	Ensure path to ground to protect personnel and equipment
Gland plate	Allows quick and easy access to machine ingress points into enclosure
Mounting flexibility	Bolt in place flange mounting for NEMA applications; optional direct mount through back wall installation maintains NEMA rating when supplied sealing washer is used; reversible door for left or right-hand opening
Detailed installation guide:	Provides easy, repeatable design instructions assuring consistency and saving time on the job-site

applications

The Panduit Pre-Configured Network Zone System protects industrial switches using a building block approach, helping to easily define a plant-wide Ethernet architecture. The system is designed to rapidly deploy the network by minimizing engineering

and installation time. With UL Type 4/12/4X and IP 66 ratings, the enclosures provide reliability and high performance, as an integral component of the end-to-end solution for Industrial Networks.

*EtherNet/IP is a trademark of ODVA.

Pre-Configured Network Zone System

3-DIN rail, mild steel, UTP copper:	Z23C-S
3-DIN rail, mild steel, STP copper:	Z23C-SS
3-DIN rail, 316 stainless steel, UTP copper:	Z23C-6
3-DIN rail, 316 stainless steel, STP copper:	Z23C-6S
2-DIN rail, mild steel, UTP copper:	Z22C-S
2-DIN rail, mild steel, STP copper:	Z22C-SS
2-DIN rail, 316 stainless steel, UTP copper:	Z22C-6
2-DIN rail, 316 stainless steel, STP copper:	Z22C-6S
1-DIN rail, mild steel, UTP copper:	Z11C-S

PanZone® NEMA 4X Rated Compression Fittings

Cable diameters 0.115" – 0.250":	PZNF1
Cable diameters 0.230" – 0.395":	PZNF2
Cable diameters 0.170" – 0.450":	PZNF3
Drain kit:	PZNDVK

IndustrialNet™ TX6™ Connectors

Category 6 UTP bulkhead connector:	IAEBH6
Category 6 shielded bulkhead connector:	IAEBH6S

Fiber Uplink Accessories

Surface mount fiber box:	CBXF6BL-AY
LC OptiCam® connector:	FLCDMCXAQY
LC connector module:	CMDSAQLCBL
LC patch 10Gig patch cord:	FX2ERLNLNSNM001
Opti-Core® Interlocking Armored Cable:	FOPRX12Y

DIN Rail Patching Accessories

Mini-Com® Copper 8-Port DIN Rail Patch Panel:	CDPP8RG
Mini-Com® Fiber 8-Port DIN Rail Patch Panel:	FDME8RG
Mini-Com® Single Port DIN Rail Mount Adapter:	CADIN1IG†

IndustrialNet™ TX6™ PLUS Patch Cords

UTP with dust cap:	IUTPSP3BL**
UTP without dust cap:	IUTPSPNC3BL**
Shielded with dust cap:	ISTPSP1MBL***
Shielded without dust cap:	ISTPSPNC1MBL***

†For standard colors other than International Gray, replace IG in part number with BL (Black), EI (Electric Ivory), IW (Off White), or WH (White).

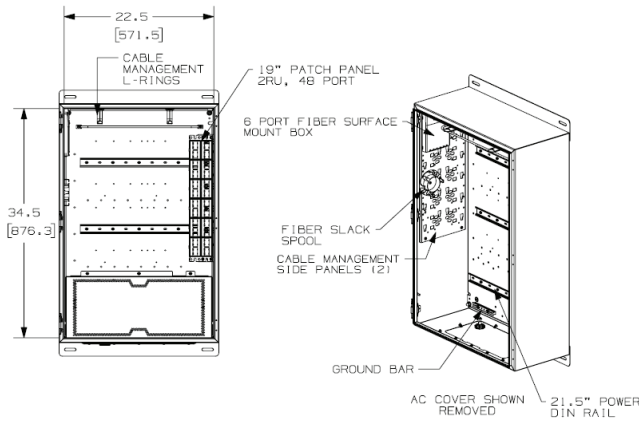
**For lengths other than 3 feet (5, 7, 10, 15, or 20 feet) change the length designation in the part number to the desired length.

***For lengths other than 1 meter (2, 3, or 5 meters) change the length designation in the part number to the desired length.

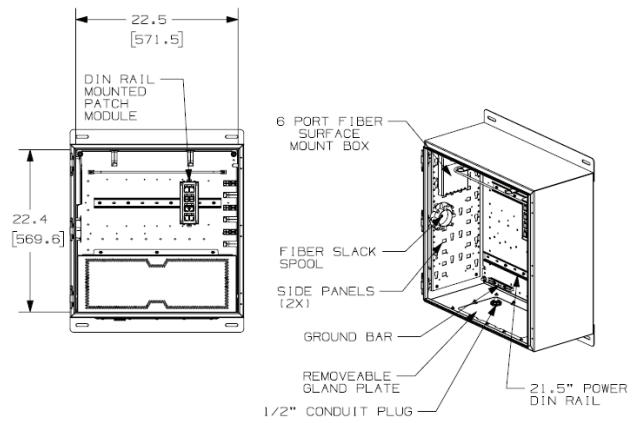
Pre-Configured Network Zone System

Pre-Configured Network Zone System Included Accessories

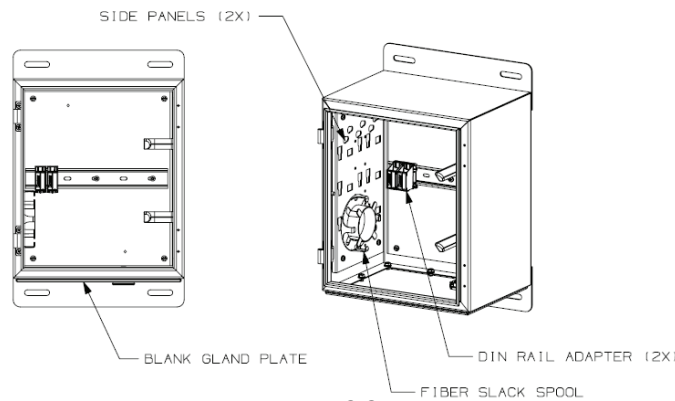
Part Number	Din Rail Mounting	Cable Management	Downlink Patch Field	Copper Downlink Connectivity	Uplink Connectivity	Isolation Barrier	Gland Plate
Z23C	(3) 16.7 inch long DIN rails	7 inch deep strain relief bar and adjustable ring managers	19" 48-port patch panel CPP48WBLY	16 Category 6 copper jacks and 16 Category 6 patch cords - 3ft.	6-port fiber surface mount termination box, 6 LC adapter modules, 4 LC patch cords - 1m, and fiber slacking spool	Barrier to cover high voltage equipment on lower DIN rail	One removable machinable gland plate
Z22C	(2) 16.7 inch long DIN rails	7 inch deep strain relief bar and adjustable ring managers	(1) 8-port patch panel CDP8RG	8 Category 6 copper jacks and 8 Category 6 patch cords - 3ft.	6-port fiber surface mount termination box, 6 LC adapter modules, 2 LC patch cords - 1m, and fiber slacking spool	Barrier to cover high voltage equipment on lower DIN rail	One removable machinable gland plate
Z11C	(1) 10 inch long DIN rail	Adjustable ring managers	Application dependent	Copper connectivity specified by user	2 DIN rail mount single port Mini-Com® Adapters and fiber slacking spool	Low voltage enclosure	One removable machinable gland plate



Z23C-S



Z22C-S



Z11C-S

Type 4/12 mild steel enclosures with un-shielded jacks and patch cords shown. Type 4/12 mild steel enclosures with shielded connectivity and Type 4X stainless steel enclosures with shielded and un-shielded connectivity are also available, see part numbers on page 1.

Dimensions are in inches. [Dimensions in brackets are metric.]

WORLDWIDE SUBSIDIARIES AND SALES OFFICES

PANDUIT CANADA
Markham, Ontario
Phone: 800.777.3300

PANDUIT EUROPE LTD.
London, UK
Phone: 44.20.8601.7200

PANDUIT SINGAPORE PTE. LTD.
Republic of Singapore
Phone: 65.6305.7575

PANDUIT JAPAN
Tokyo, Japan
Phone: 81.3.6863.6000

PANDUIT LATIN AMERICA
Guadalajara, Mexico
Phone: 52.33.3777.6000

PANDUIT AUSTRALIA PTY. LTD.
Victoria, Australia
Phone: 61.3.9794.9020

For a copy of Panduit product warranties, log on to www.panduit.com/warranty



Visit us at www.panduit.com/ia
iai@panduit.com

©2015 Panduit Corp.
ALL RIGHTS RESERVED.
RKSP150--WW-ENG
Replaces RKSP142--WW-ENG
8/2015