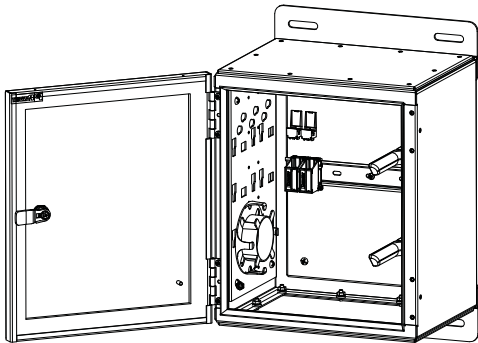


**TABLE OF CONTENTS**

Overview of Products	Page 2
Wall Mounting	Page 2
Safety Information and Warnings	Page 2
Reversible Door	Page 3
Removable Gland Plate	Page 3
Pre-Configured Layout	Page 4
Recommended Installation Instructions for:	
Power Entry	Page 4
Uplink Entry	Page 5
Downlink Entry	Page 5



Z11N-***

Integrated Network Zone System Z11N-***** configurations include an enclosure with required connectivity and cable management, internal factory-connected wiring and includes partner equipment as-specified on the Field Wiring Diagram supplied inside each unit.

Additional partner equipment may include one or more of the following DIN-Rail mountable items:

- Industrial automation switch
- Grounding Wire
- Mini-Com DIN Rail Mount Adapters



Be sure wall is capable of supporting cabinet and equipment.

DISCLAIMER OF WARRANTIES AND LIMITATION OF LIABILITIES

The practices contained herein are designed as a guide for use by persons having technical skill at their own discretion and risk. Panduit does not guarantee any favorable results or assume any liability in connection with these instructions. Local, State, Federal, and Industry Codes and Regulations, as well as manufacturers requirements, must be consulted before proceeding with any project. Panduit Corp. makes no representations of nor assumes any responsibility for the accuracy or completeness set forth herein. **Panduit disclaims any liability arising from any information contained herein or for the absence of same.**

Wall Mounting

Enclosure may be mounted on any wall utilizing Unistrut or by drilling directly into any concrete wall. There are two mounting hole locations on the top flange and two locations at the bottom flange.

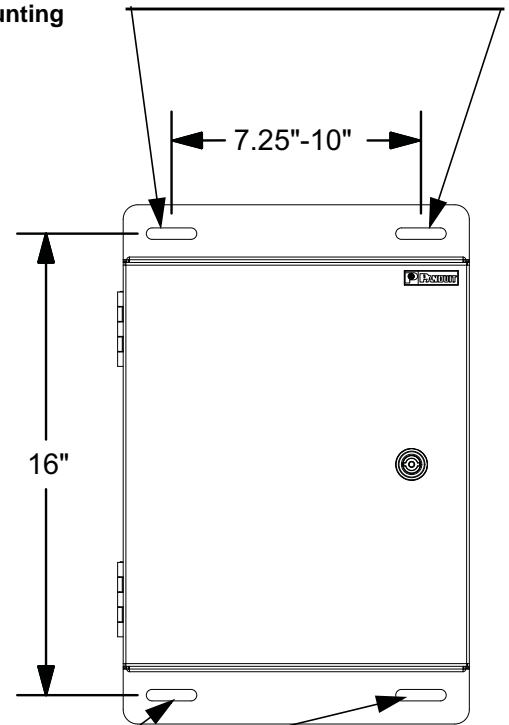
Step 1:

Drill holes 7.25"-10" apart horizontally and 16" apart vertically.

Step 2:

Mount the enclosure with the locks to the right and secure.

Hole Locations for Wall Mounting



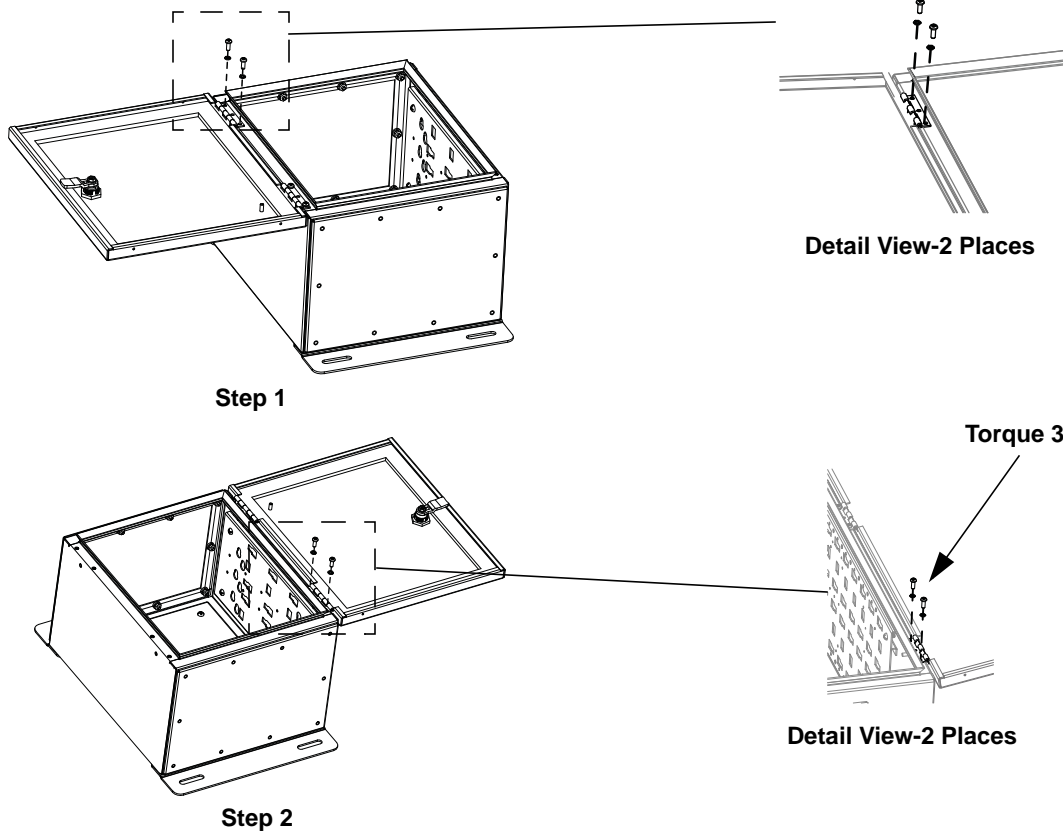
Hole Locations for Wall Mounting

Reversible Door

The enclosure comes with the door opening to the left.
The door may be reversed to open to the right.

Step 1: Remove screws and washers from door hinges.

Step 2: Turn door 180 degrees and mount to opposite side of enclosure using same screws and washers.

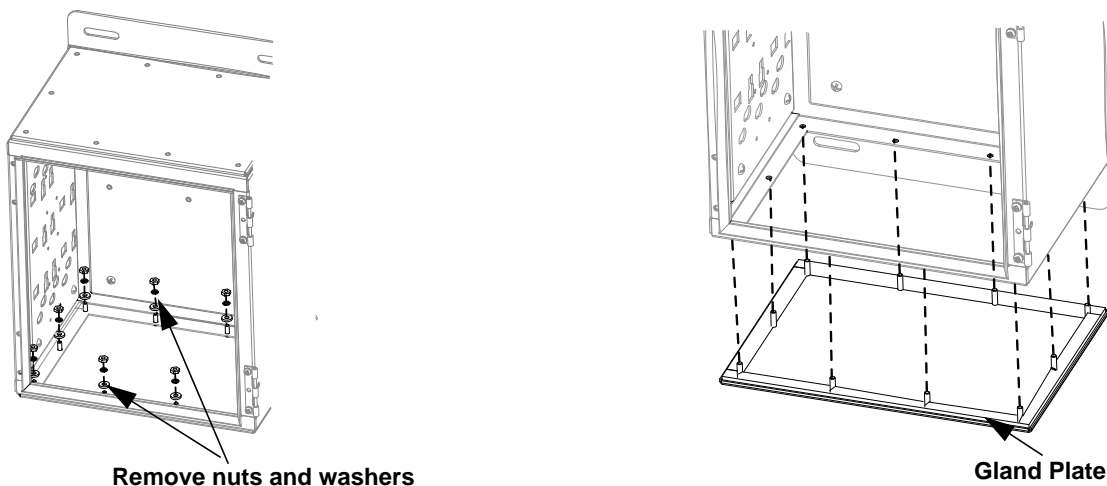


Removable Gland Plate

The Gland Plate, located on the top and bottom of the enclosure, is removable for machining to accept bulkhead connectors or compression fittings.

To remove gland plate, unfasten the (10) nuts, (10) split-ring washers, and (10) flat washers attached to the threaded studs of the gland plate and remove plate from the enclosure.

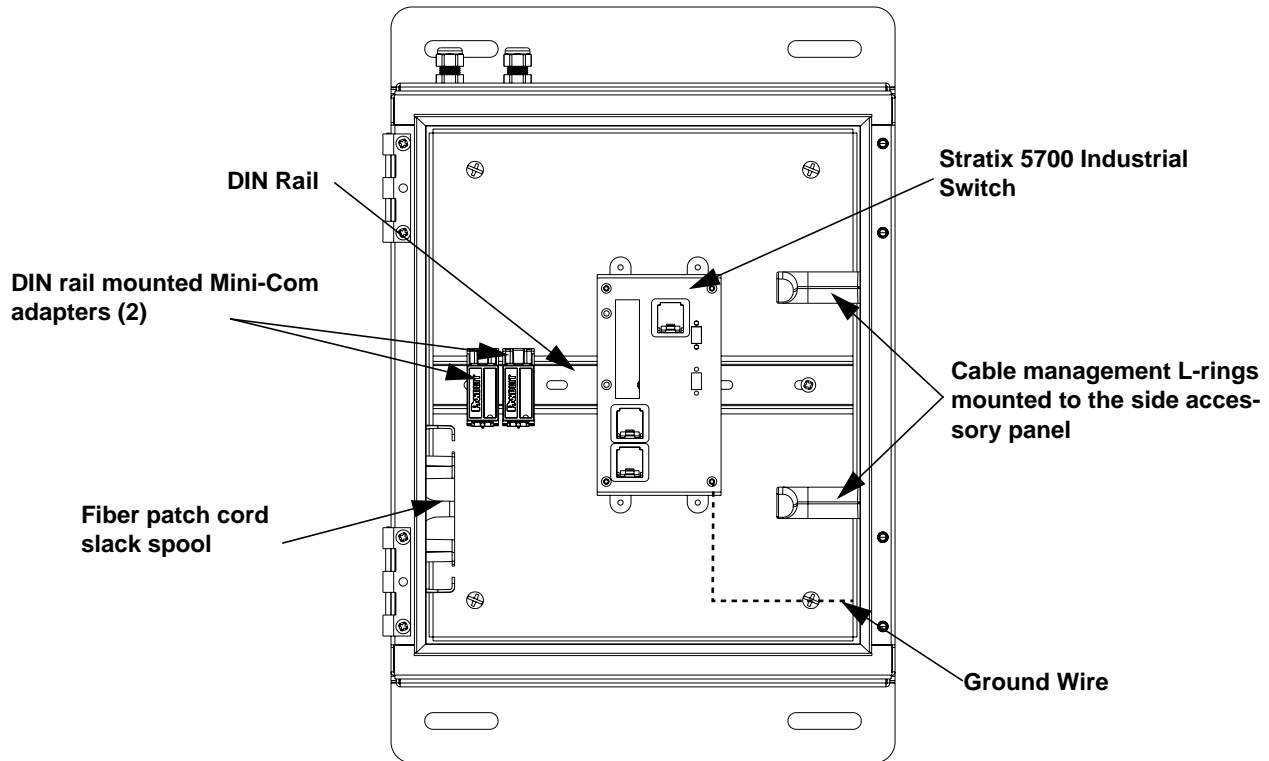
When reinstalling the gland plate, ensure the nuts are tightened until the gland plate flanges make contact with the enclosure surface.



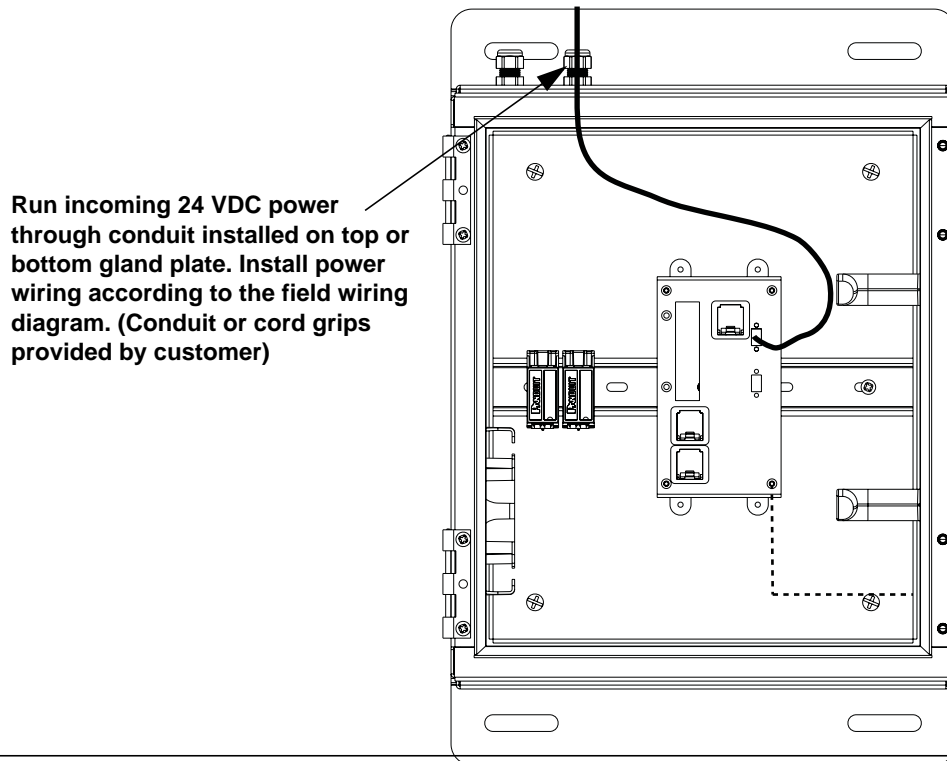
For Technical Support: www.panduit.com/resources/install_maintain.asp

Recommended Installation Instructions for Bundled Accessories

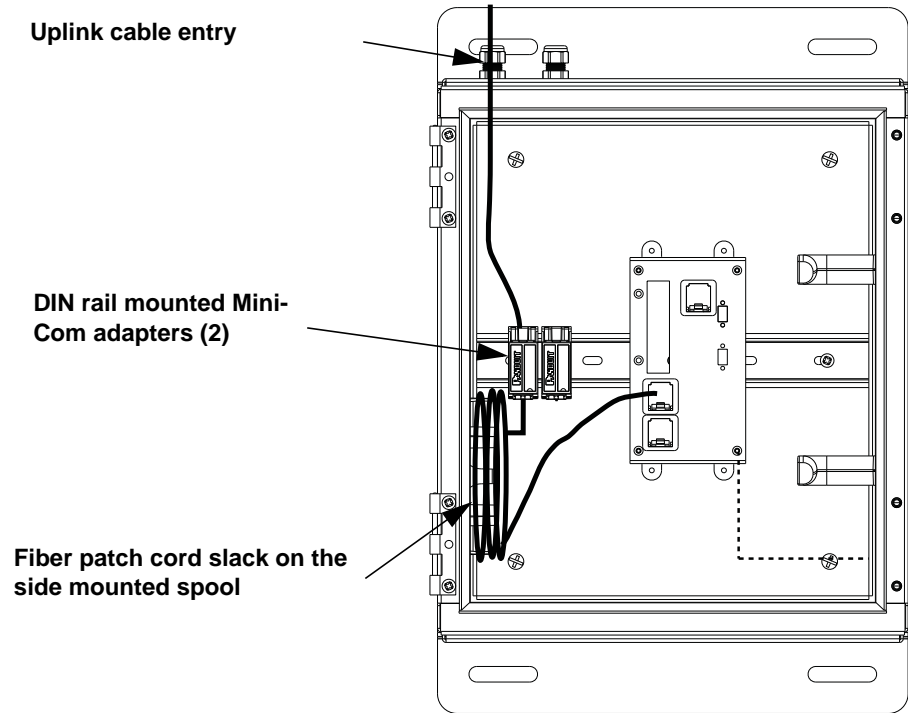
Integrated Network Zone



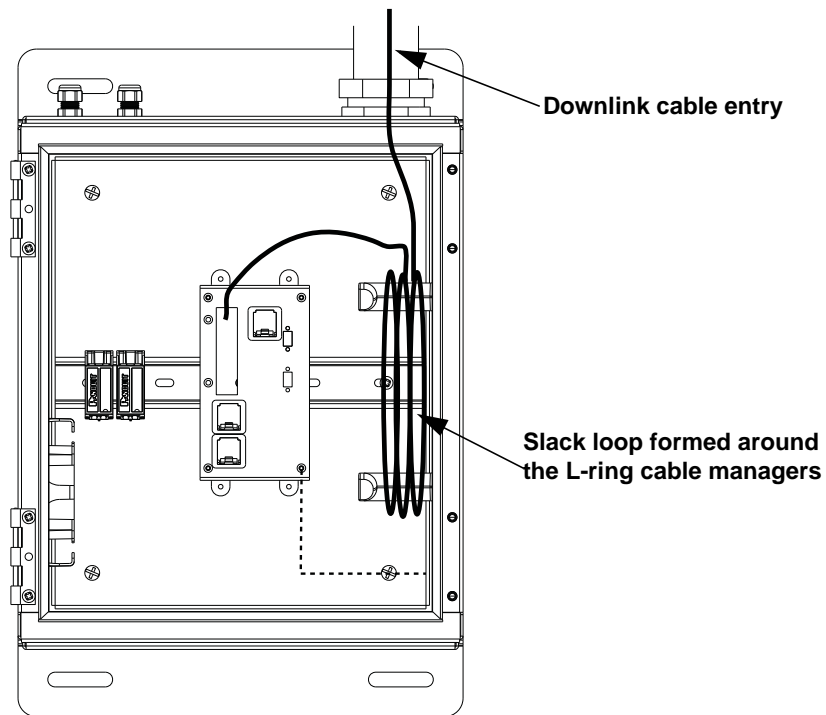
Power Entry



Uplink Cabling



Downlink Cabling



For Instructions in Local Languages
and Technical Support:

www.panduit.com/resources/install_maintain.asp

PANDUIT[®]

www.panduit.com

E-mail:
cs@panduit.com

Fax:
(708) 444-6448