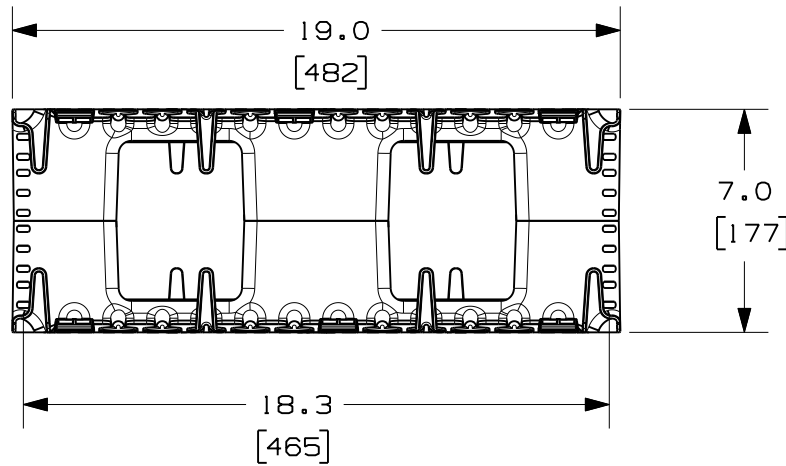


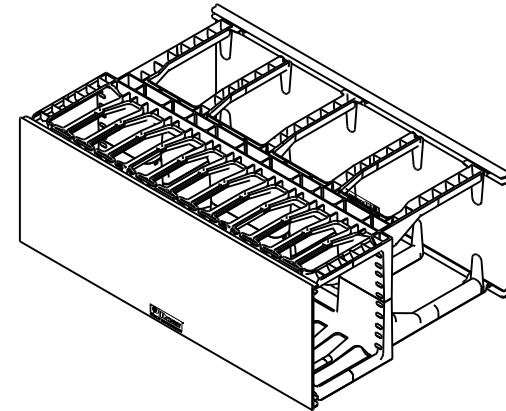
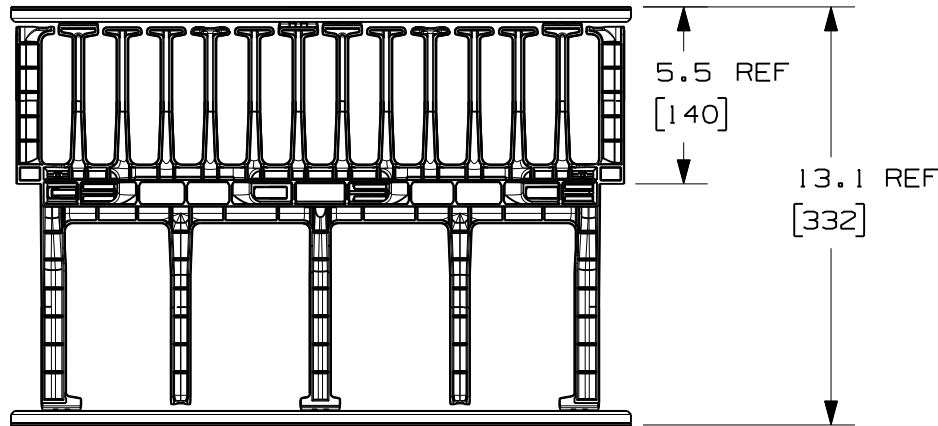
THIS COPY IS PROVIDED ON A RESTRICTED BASIS AND IS NOT TO BE USED IN ANY WAY DETRIMENTAL TO THE INTERESTS OF PANDUIT CORP.



PANDUIT P/N	WEIGHT
NM4	3.9 LBS/EACH 1769 g/EACH

NOTES:

- VISIT OUR ON-LINE CATALOG AT [WWW.PANDUIT.COM](http://WWW.PANDUIT.COM) FOR A CURRENT LIST OF PRODUCTS APPLICABLE FOR USE WITH THIS PART.
- COMPONENTS:  
1- 4RU MANAGER (FRONT AND REAR)  
2- 4RU 19" COVERS
- DIMENSIONS IN PARENTHESIS ARE METRIC.



MODEL FILENAME V10404AC\_NM4\_ASSY\_01.PRT

CAD FILENAME/LAYERS V10404AC\_DC\_01A.PRT

PANDUIT CORP. TINLEY PARK, ILLINOIS

NM4 CABLE MANAGER  
CUSTOMER DRAWING

UNLESS OTHERWISE SPECIFIED, DIMENSIONAL TOLERANCES ARE:  
 INCHES X.X +/- 0.03 X.XX +/- 0.015 X.XXX +/- 0.005  
 [METRIC - MILLIMETER] X.X +/- 0.8 X.XX +/- 0.4 X.XX +/- 0.13  
 ANGLE +/- 1°

UNLESS OTHERWISE SPECIFIED,  
ALL DIMENSIONS ARE GIVEN  
IN INCHES, THIRD ANGLE PROJECTION.

REV	DATE	BY	CHK	DESCRIPTION	ECN	R	CUST	SUP	OTH
2	5-21-07	BAME		ADDED FEATURE	10404-22				
1	4-11-07	BAME	DPN	CHANGED 2 DIMS	10404-22		CMK		
00	03-06-07	BAME	TCK	RELEASED TO PRODUCTION	10404-22		CMK		

DRAWN BY BAME  
DATE 03-06-07  
CHK'D TCK

MAT'L:  
MANAGER: ABS  
4RU COVERS: PVC

SCALE NONE

DRAWING NO.  
10404-22

DWG  
A  
SIZE