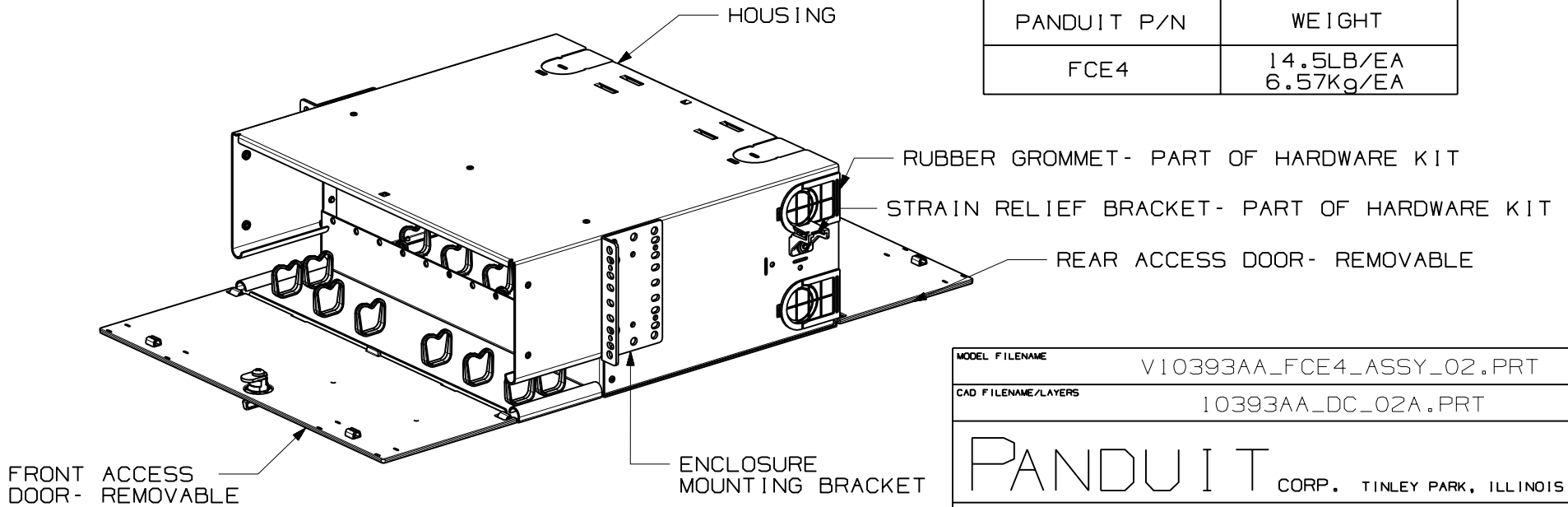
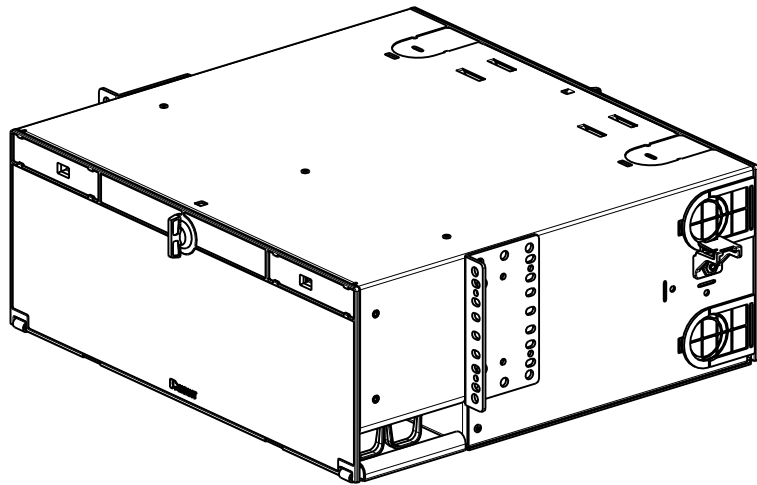


THIS COPY IS PROVIDED ON A RESTRICTED BASIS AND IS NOT TO BE USED IN ANY WAY DETRIMENTAL TO THE INTERESTS OF PANDUIT CORP.

NOTES:

1. VISIT OUR ON-LINE CATALOG AT WWW.PANDUIT.COM FOR A CURRENT LIST OF PARTS APPLICABLE WITH THIS PRODUCT.
2. DIMENSIONS IN PARENTHESES ARE IN METRIC.
3. ENCLOSURE CAN BE MOUNTED ON A 19" OR 23" STANDARD EIA RACK.
4. ENCLOSURE HOUSING IS MADE FROM 16 GAUGE GALVANNEALED COLD ROLLED STEEL.
5. ENCLOSURE HOUSING IS PAINTED BLACK.
6. FRONT AND REAR ACCESS DOORS ARE MADE FROM POLYCARBONATE AND ABS.
7. ENCLOSURE IS SUPPLIED WITH (1) HARDWARE KIT AND PORT I.D. LABEL.
8. PART CAN HOLD UP TO 12 FIBER CASSETTES.



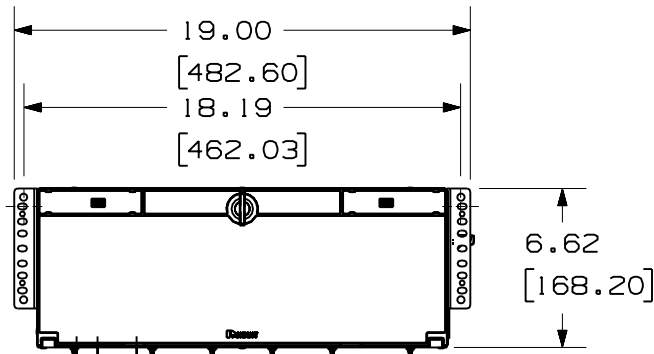
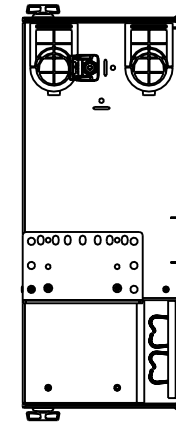
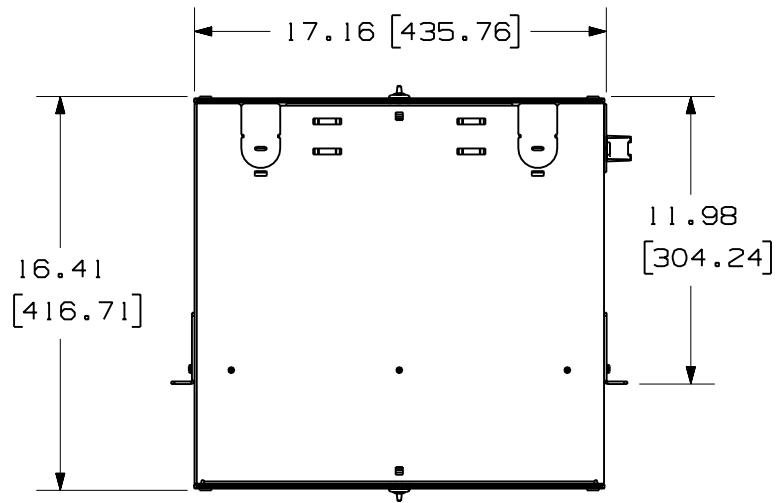
PANDUIT P/N	WEIGHT
FCE4	14.5LB/EA 6.57Kg/EA

MODEL FILENAME	V10393AA_FCE4_ASSY_02.PRT
CAD FILENAME/LAYERS	10393AA_DC_02A.PRT
 CORP. TINLEY PARK, ILLINOIS	
FIBER CASSETTE ENCLOSURE (FCE4) CUSTOMER DRAWING	

REV	DATE	BY	CHK	DESCRIPTION	ECN	R	CUST	SUP	OTH
00	4/28/06	RVLE		SEE SHEET 2 OF 2 FOR REVISIONS	10393-05				

UNLESS OTHERWISE SPECIFIED, DIMENSIONAL TOLERANCES ARE: (.X) ± (.XXX) ± (.XX) ± .03 (.8) ANGLES ±		UNLESS OTHERWISE SPECIFIED, ALL DIMENSIONS ARE GIVEN IN INCHES, THIRD ANGLE PROJECTION.	
DRAWN BY RVLE	MAT'L:	SCALE 1/6	
DATE 3/28/06	SEE NOTES	DRAWING NO. 10393-05	
CHK'D		SHEET 1 OF 2	
		DWG A SIZE	

THIS COPY IS PROVIDED ON A RESTRICTED BASIS AND IS NOT TO BE USED IN ANY WAY DETRIMENTAL TO THE INTERESTS OF PANDUIT CORP.



MODEL FILENAME V10393AA_FCE4_ASSY_02.PRT

CAD FILENAME/LAYERS V10393AA_DC_02..PRT

PANDUIT CORP. TINLEY PARK, ILLINOIS

FIBER RACK MOUNT ENCLOSURE (FCE4) CUSTOMER DRAWING

UNLESS OTHERWISE SPECIFIED, DIMENSIONAL TOLERANCES ARE:
 (.X) ± (.XXX) ±
 (.XX) ± .03 (.8) ANGLES ±

UNLESS OTHERWISE SPECIFIED, ALL DIMENSIONS ARE GIVEN IN INCHES, THIRD ANGLE PROJECTION.

DRAWN BY RVLE

MAT'L:

SCALE 1:6

DATE 4/28/06

SEE NOTES

DRAWING NO. 10393-05 SHEET 2 OF 2

DWG SIZE A

REV	DATE	BY	CHK	DESCRIPTION	ECN	R	CUST	SUP	OTH
00	4/28/06	RVLE		RELEASED TO PRODUCTION	10393-05				