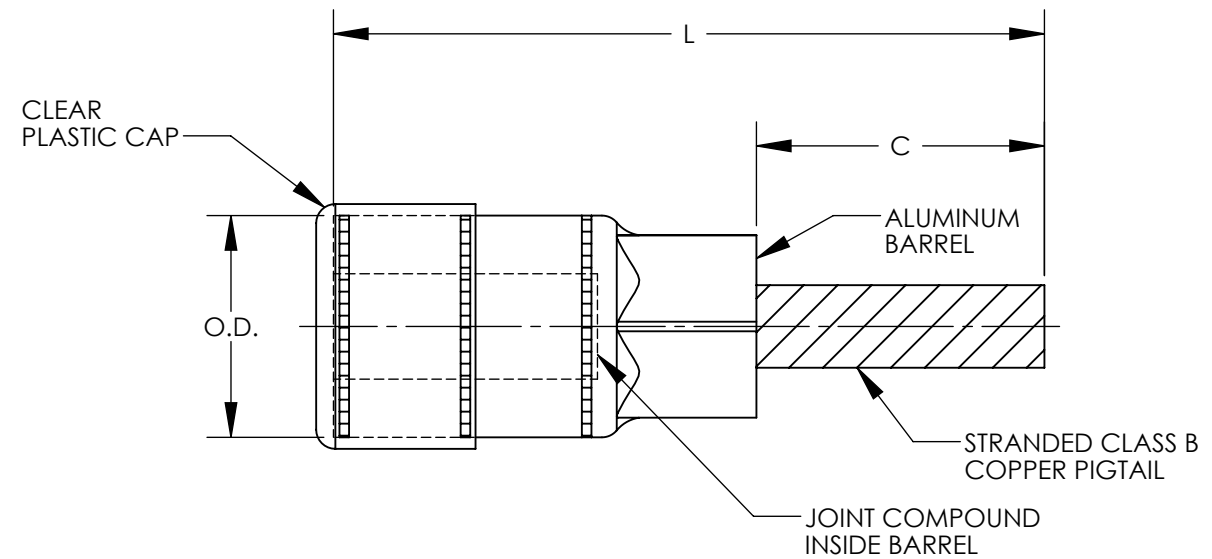


PANDUIT PART NUMBER	ALUMINUM WIRE SIZE	COPPER PIGTAIL SIZE	WIRE STRIP LENGTH	DIMENSIONS - +/- .02		
				C	L	O.D.
BPC6-L	6 AWG	8 AWG	----	0.88	2.45	0.64
BPC4-L	4 AWG	6 AWG	1.00	0.88	2.45	0.64
BPC2-L	2 AWG	4 AWG	1.00	0.88	2.45	0.64
BPC1-X	1 AWG	3 AWG	1.00	1.00	2.58	0.64
BPC1/0-X	1/0 AWG	2 AWG	1.25	1.25	3.33	0.91
BPC2/0-X	2/0 AWG	1 AWG	1.25	1.25	3.33	0.91
BPC3/0-X	3/0 AWG	1/0 AWG	1.25	1.38	3.45	0.91
BPC4/0-X	4/0 AWG	2/0 AWG	1.25	1.38	3.45	0.91
BPC250-X	250 kcmil	3/0 AWG	1.38	1.50	3.70	1.16
BPC300-X	300 kcmil	4/0 AWG	1.38	1.63	4.11	1.16
BPC350-X	350 kcmil	4/0 AWG	1.38	1.63	4.11	1.16
BPC400-X	400 kcmil	250 kcmil	1.38	1.88	4.34	1.32
BPC500-X	500 kcmil	350 kcmil	1.38	1.88	4.34	1.32
BPC600-6	600 kcmil	350 kcmil	1.88	1.88	4.78	1.50
BPC750-6	750 kcmil	500 kcmil	1.88	2.00	4.91	1.50

NOTES:

1. BARREL MATERIAL: ALUMINUM A-A OR ALLUMINUM ALLOY 1100.
2. WIRE MATERIAL: HIGH CONDUCTIVITY GRADE, STRANDED CLASS B COPPER.
3. USER TO ASSEMBLE CONNECTORS TO ALUMINUM STRANDED WIRE ONLY.
4. OXIDE INHIBITING JOINT COMPOUND PREFILLED IN EACH BARREL.
5. CONNECTOR UL LISTED, RATED FOR 90° C AND 600V OPERATION. INSULATING SLEEVES ARE TO BE RATED FOR 90° C - 600V OPERATION.
6. INSULATING SLEEVE INCLUDED (EPDM).
7. PACKAGING QUANTITY: - L = 50
- X = 10



REV	DATE	BY	CHK	APR	DESCRIPTION	ECN
04	3/15	JHNU	JHNU	RGB	ADDED CLASS B TO WIRE DESCRIPTION	N41292BB-C41292
03	3/13	JHNU	JHNU	RGB	REVISED TITLE BLOCK	N41292BB-C41292

TITLE BPC SERIES BI-METALLIC PIN CONNECTORS CUSTOMER DRAWING			
ITEM REVISION NAME	N41292BB-C41292/04		
DATASET FILE NAME	C41292/04.SLDDRW		
UNLESS OTHERWISE SPECIFIED, DIMENSIONAL TOLERANCES ARE: IN [mm]			
.X ±	.XXX ±	MATERIAL SEE NOTES	
.XX ±	ANGLES ±	DRAWING NUMBER C41292_03	
THIRD ANGLE PROJECTION		SHEET 1 OF 1	
DRAWN BY EJS	DATE	CHK	SCALE NONE
			SIZE B