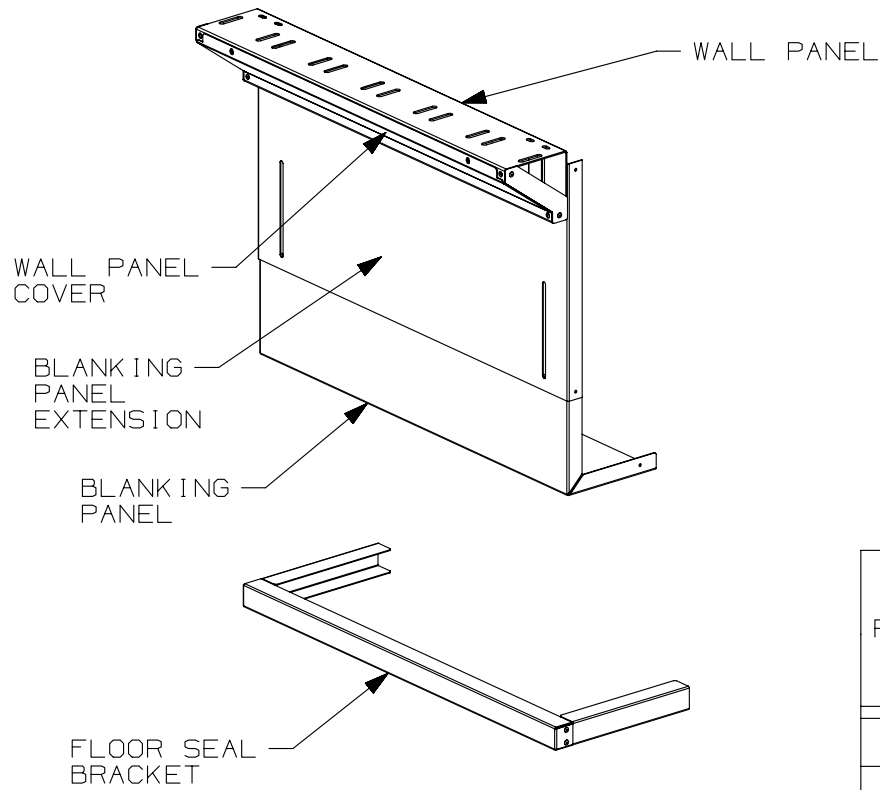


THIS COPY IS PROVIDED ON A RESTRICTED BASIS AND IS NOT TO BE USED IN ANY WAY DETRIMENTAL TO THE INTERESTS OF PANDUIT CORP.



NOTES:

1. VISIT OUR ONLINE CATALOG AT WWW.PANDUIT.COM FOR A LIST OF CURRENT PARTS APPLICABLE FOR USE WITH THIS PRODUCT.
2. PRIMARY DIMENSIONS ARE METRIC (mm). DIMENSIONS IN PARENTHESES ARE IN INCHES (IN).
3. PARTS SUPPLIED:
 - 1 - WALL PANEL
 - 1 - WALL PANEL COVER
 - 1 - BLANKING PANEL
 - 1 - BLANKING PANEL EXTENSION
 - 1 - FLOOR SEAL BRACKET
 - 1 - HARDWARE KIT
 - 1 - INSTRUCTION SHEET

PANDUIT PART NO.	FOR USE WITH CABINET HEIGHT	COMPATIBLE ROW BASE COOLER UNIT SIZES		
		WIDTH	HEIGHT (MIN)	HEIGHT (MAX)
C2CAC06ABWPA**	48RU	600mm, 24 inch	1950mm	2070mm
C2CAC03TBPAD**	48RU	300mm, 12 inch	1950mm	2070mm

** = COLOR
 B1 = BLACK
 W1 = WHITE

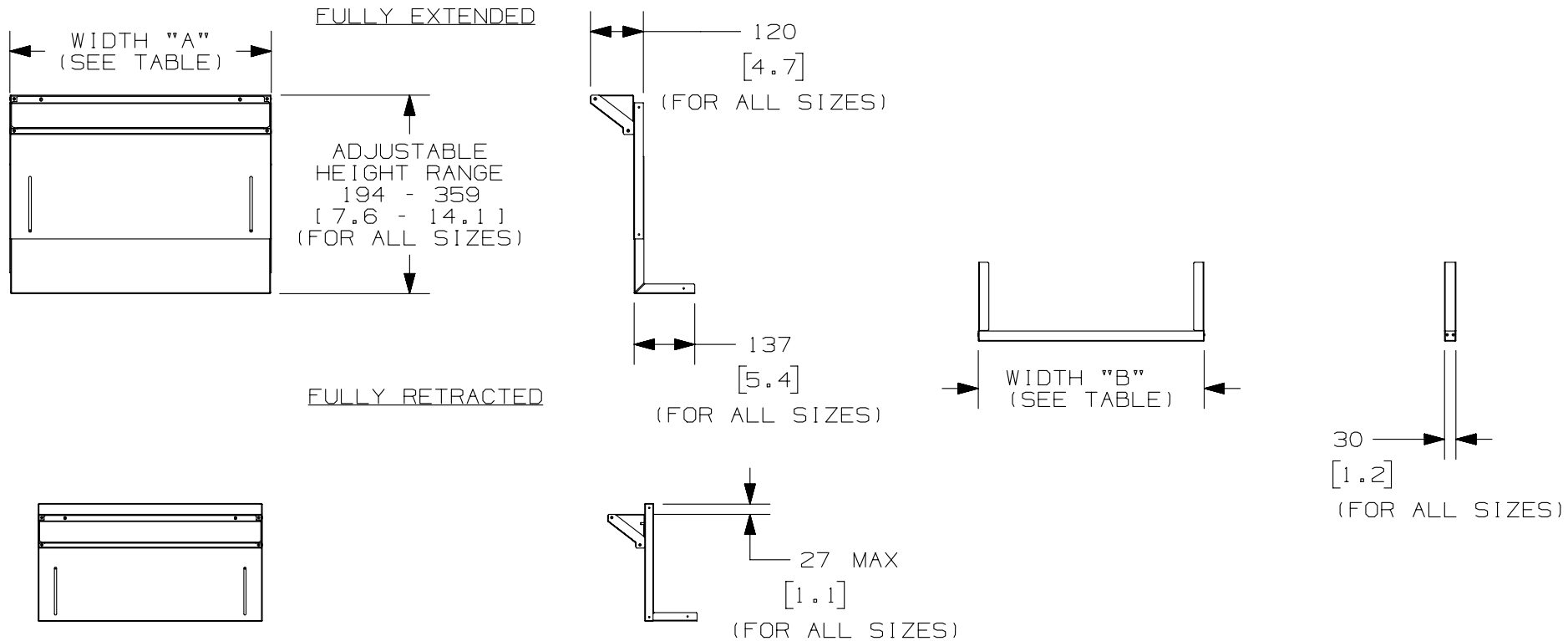
REV	DATE	BY	CHK	APR	DESCRIPTION	ECN
00B	6-25-14	MDCA			CORRECTED TITLE	12V359AK
00A	6-18-14	PBS			RELEASED TO PRODUCTION	12V359AK

TITLE ROW BASE COOLER WALL PANEL (C2CAC03TBPAD**) AND (C2CAC06ABWPA**) CUSTOMER DRAWING					
ITEM REVISION NAME 12V359AK/00			PANDUIT		
DATASET FILE NAME 12V359AK_DC/00B					
MATERIAL: N/A					DRAWING NUMBER: 12V359AK
DRAWN BY PBS	DATE 6-18-14	CHK	SCALE NONE	SHT 1 OF 3	
					SIZE A

2

1

PANDUIT PART NO.	FOR USE WITH IN-ROW COOLING UNIT WIDTH	WIDTH "A"	WIDTH "B"	WEIGHT
C2CAC06ABWPA**	600mm	591mm (23.3")	596mm (23.5")	7.6 Kg (16.8 LBS) EA.
C2CAC03TBPAD**	300mm	291mm (11.5")	296mm (11.7")	4.0 Kg (8.9 LBS) EA.



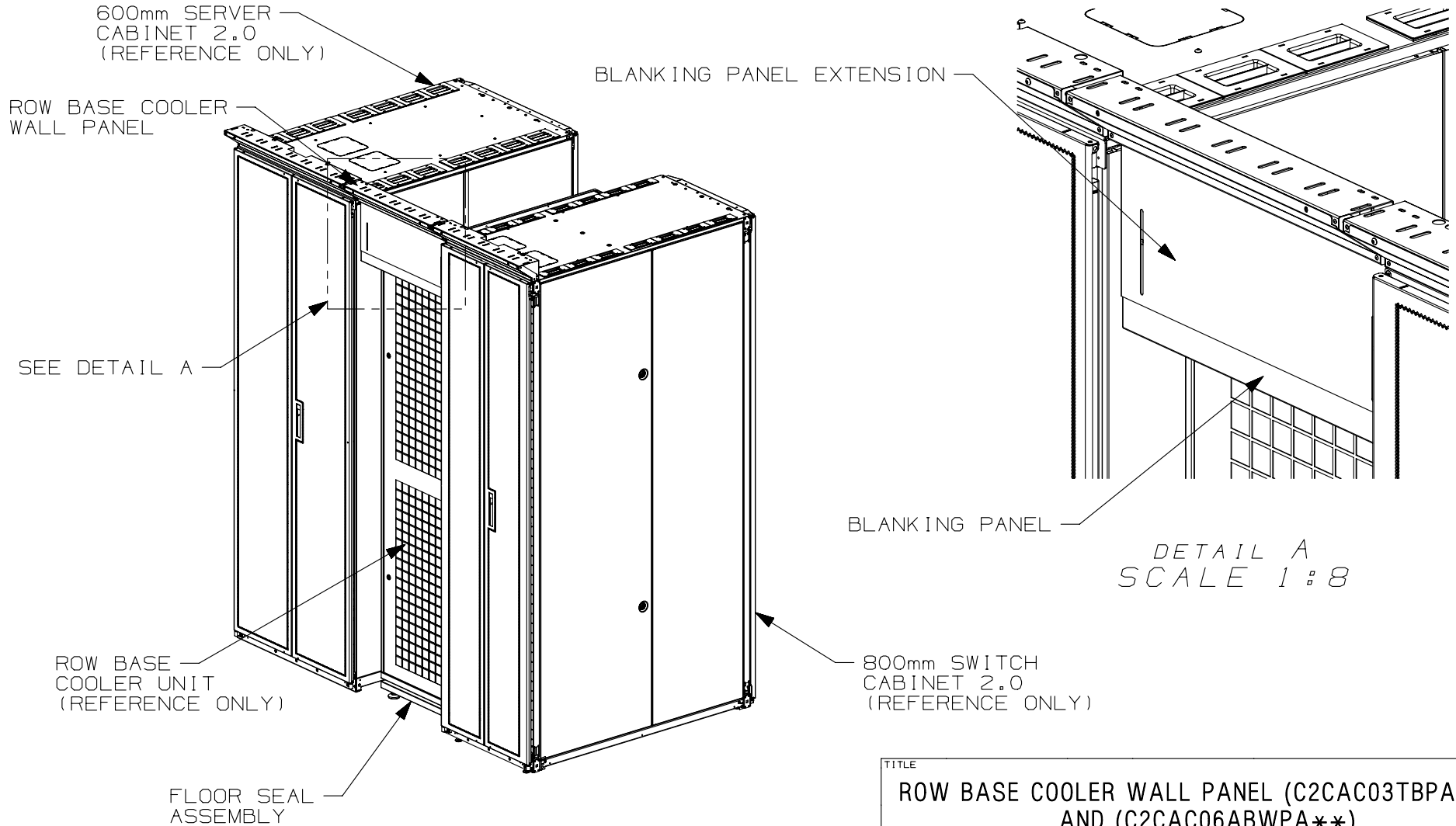
REV	DATE	BY	CHK	APR	DESCRIPTION	ECN
00B	6-25-14	MDCA			SEE SHEET 1 OF 3 FOR REVISIONS	12V359AK
00A	6-18-14	PBS			SEE SHEET 1 OF 3 FOR REVISIONS	12V359AK

TITLE ROW BASE COOLER WALL PANEL (C2CAC03TBPAD**) AND (C2CAC06ABWPA**)					
CUSTOMER DRAWING					
ITEM REVISION NAME 12V359AK/00			PANDUIT		
DATASET FILE NAME 12V359AK_DC/00B					
MATERIAL: N/A			DRAWING NUMBER: 12V359AK		
DRAWN BY PBS	DATE 6-18-14	CHK	SCALE NONE	SHT 2 OF 3	
				SIZE A	

2

1

THIS COPY IS PROVIDED ON A RESTRICTED BASIS AND IS NOT TO BE USED IN ANY WAY DETRIMENTAL TO THE INTERESTS OF PANDUIT CORP.



THE ROW BASE COOLER WALL PANEL IS MOUNTED BETWEEN (2) NET-CONTAIN™ WALL PANELS (C2CAC0*F08WP**) WHICH MUST BE PURCHASED SEPARATELY.

TITLE		ROW BASE COOLER WALL PANEL (C2CAC03TBPAD**) AND (C2CAC06ABWPA**)		
CUSTOMER DRAWING				
ITEM REVISION NAME	12V359AK/00	PANDUIT		
DATASET FILE NAME	12V359AK_DC/00B			
MATERIAL:		N/A		
DRAWING NUMBER:		12V359AK		
DRAWN BY	DATE	CHK	SCALE	SIZE
PBS	6-18-14		NONE	A
SHT 3 OF 3				

00B	6-25-14	MDCA		SEE SHEET 1 OF 3 FOR REVISIONS	12V359AK	
00A	6-18-14	PBS		SEE SHEET 1 OF 3 FOR REVISIONS	12V359AK	
REV	DATE	BY	CHK	APR	DESCRIPTION	ECN