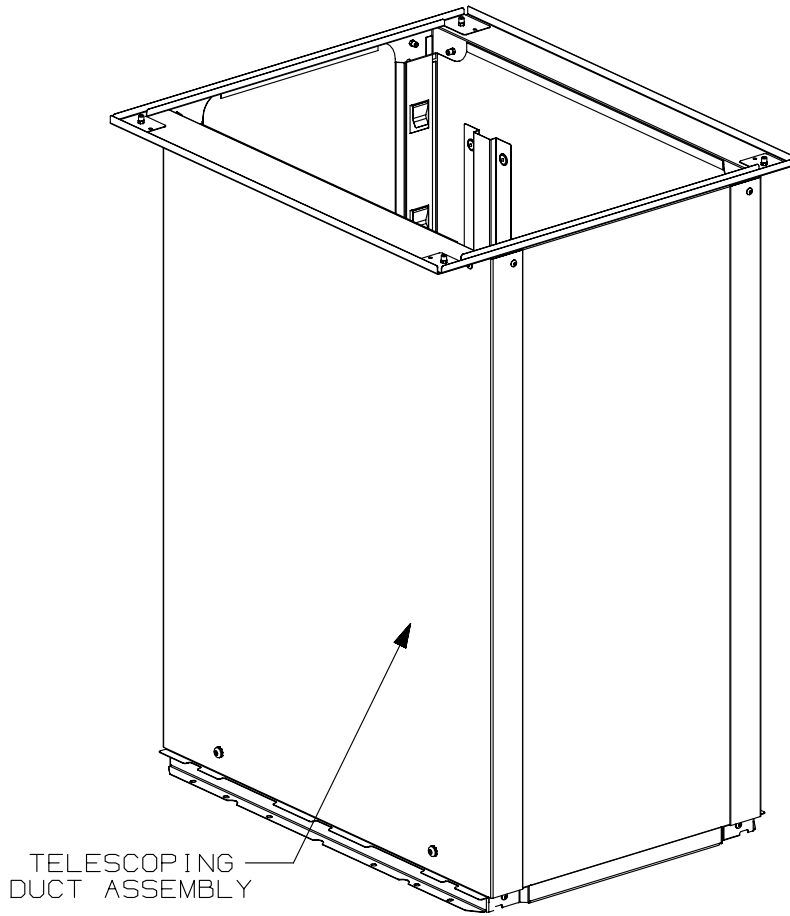


THIS COPY IS PROVIDED ON A RESTRICTED BASIS AND IS NOT TO BE USED IN ANY WAY DETRIMENTAL TO THE INTERESTS OF PANDUIT CORP.

NOTES:

- VISIT OUR ONLINE CATALOG AT WWW.PANDUIT.COM FOR A LIST OF USE WITH THIS PRODUCT.
- PRIMARY DIMENSIONS ARE IN MILLIMETERS (mm) DIMENSIONS IN PARENTHESES ARE IN INCHES (IN).
- PARTS SUPPLIED:
 - 2 - BOTTOM SIDE PANELS
 - 2 - TOP SIDE PANELS
 - 1 - TOP FRONT PANEL
 - 1 - TOP REAR PANEL
 - 2 - BOTTOM FRONT AND REAR PANELS
 - 2 - HORIZONTAL ADJUSTMENT BRACKETS
 - 1 - HARDWARE KIT



PANDUIT PART NO.	HEIGHT	FOR USE WITH CABINET SIZE (WIDTH X DEPTH)
C2VED06I1626XX	406mm [16"] - 660mm [26"]	600mm X 1200mm
C2VED06I2638XX	660mm [26"] - 965mm [38"]	600mm X 1200mm
C2VED06I3866XX	965mm [38"] - 1676mm [66"]	600mm X 1200mm
C2VED07I1626XX	406mm [16"] - 660mm [26"]	700mm X 1200mm
C2VED07I2638XX	660mm [26"] - 965mm [38"]	700mm X 1200mm
C2VED07I3866XX	965mm [38"] - 1676mm [66"]	700mm X 1200mm
C2VED08I1626XX	406mm [16"] - 660mm [26"]	800mm X 1200mm
C2VED08I2638XX	660mm [26"] - 965mm [38"]	800mm X 1200mm
C2VED08I3866XX	965mm [38"] - 1676mm [66"]	800mm X 1200mm

*XX = COLOR
 B1 = BLACK
 W1 = WHITE



REV	DATE	BY	CHK	APR	DESCRIPTION	ECN
01A	02/11/13	ERK			C. UPDATED PARTS SUPPLIED LIST B. ADDED SHEET 4 A. UPDATED TO REFLECT NEW GEOMETRY AND HARDWARE	12V285ZV
00A	10/16/12	PJST	BKR	BKR	RELEASED TO PRODUCTION	12V285ZV

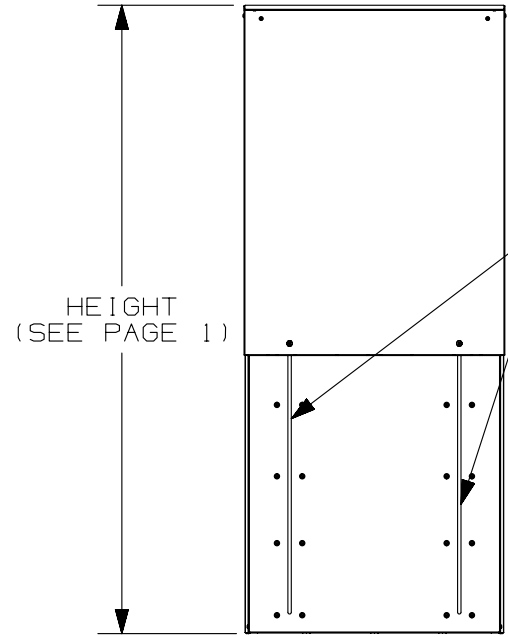
TITLE NET-CONTAIN™ VERTICAL EXHAUST DUCT FOR N OR S TYPE CABINETS CUSTOMER DRAWING					
ITEM REVISION NAME 12V285ZV/01			PANDUIT™		
DATASET FILE NAME 12V285ZV_DC/01A					
MATERIAL: N/A			DRAWING NUMBER: 12V285ZV		
DRAWN BY PJST	DATE 10/16/12	CHK BKR	SCALE N/A	SHT 1 OF 4	
					SIZE A

D10100DA/12

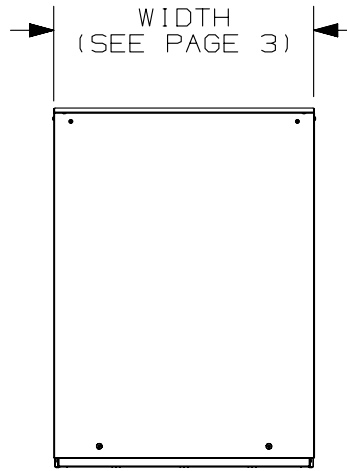
2

1

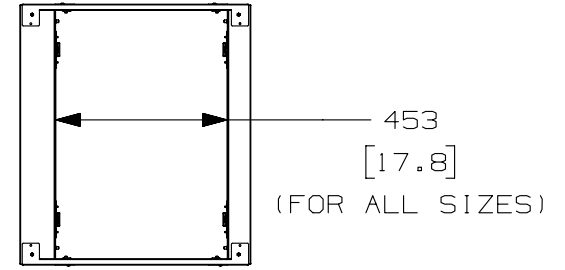
THIS COPY IS PROVIDED ON A RESTRICTED BASIS AND IS NOT TO BE USED IN ANY WAY DETRIMENTAL TO THE INTERESTS OF PANDUIT CORP.



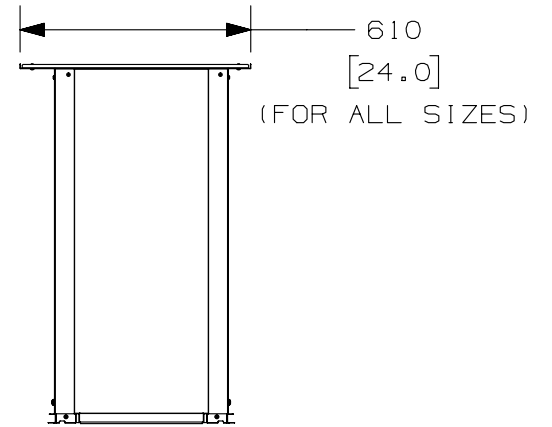
FRONT VIEW
(EXPANDED)



FRONT VIEW
(COLLAPSED)



TOP VIEW



SIDE VIEW

--	---	--			SEE SHEET 1 OF 4 FOR REVISIONS				12V285AP			
REV	DATE	BY	CHK	APR	DESCRIPTION	ECN	DRAWN BY	DATE	CHK	SCALE	DRAWING NUMBER	SIZE
							PJST	10/16/12		N/A	SHT 2 OF 4	A

<p>TITLE</p> <p>NET-CONTAIN™ VERTICAL EXHAUST DUCT FOR N OR S TYPE CABINETS</p> <p>CUSTOMER DRAWING</p>											
<p>ITEM REVISION NAME</p> <p>12V285ZV/01</p>											
<p>DATASET FILE NAME</p> <p>12V285ZV_DC/01A</p>										<p>MATERIAL:</p> <p>N/A</p>	
										<p>DRAWING NUMBER:</p> <p>12V285ZV</p>	
<p>REV</p> <p>DATE</p> <p>BY</p> <p>CHK</p> <p>APR</p> <p>DESCRIPTION</p> <p>ECN</p> <p>DRAWN BY</p> <p>DATE</p> <p>CHK</p> <p>SCALE</p> <p>DRAWING NUMBER</p> <p>SIZE</p>											
<p>PJST</p> <p>10/16/12</p> <p></p> <p>N/A</p> <p>SHT 2 OF 4</p> <p>A</p>											

D10100DA/12

2

1

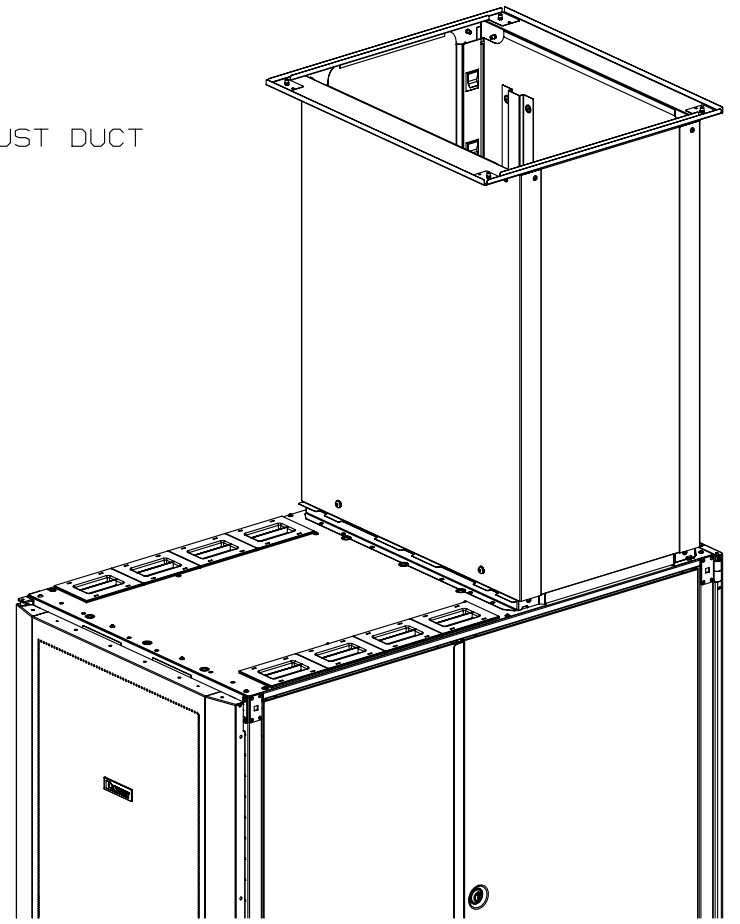
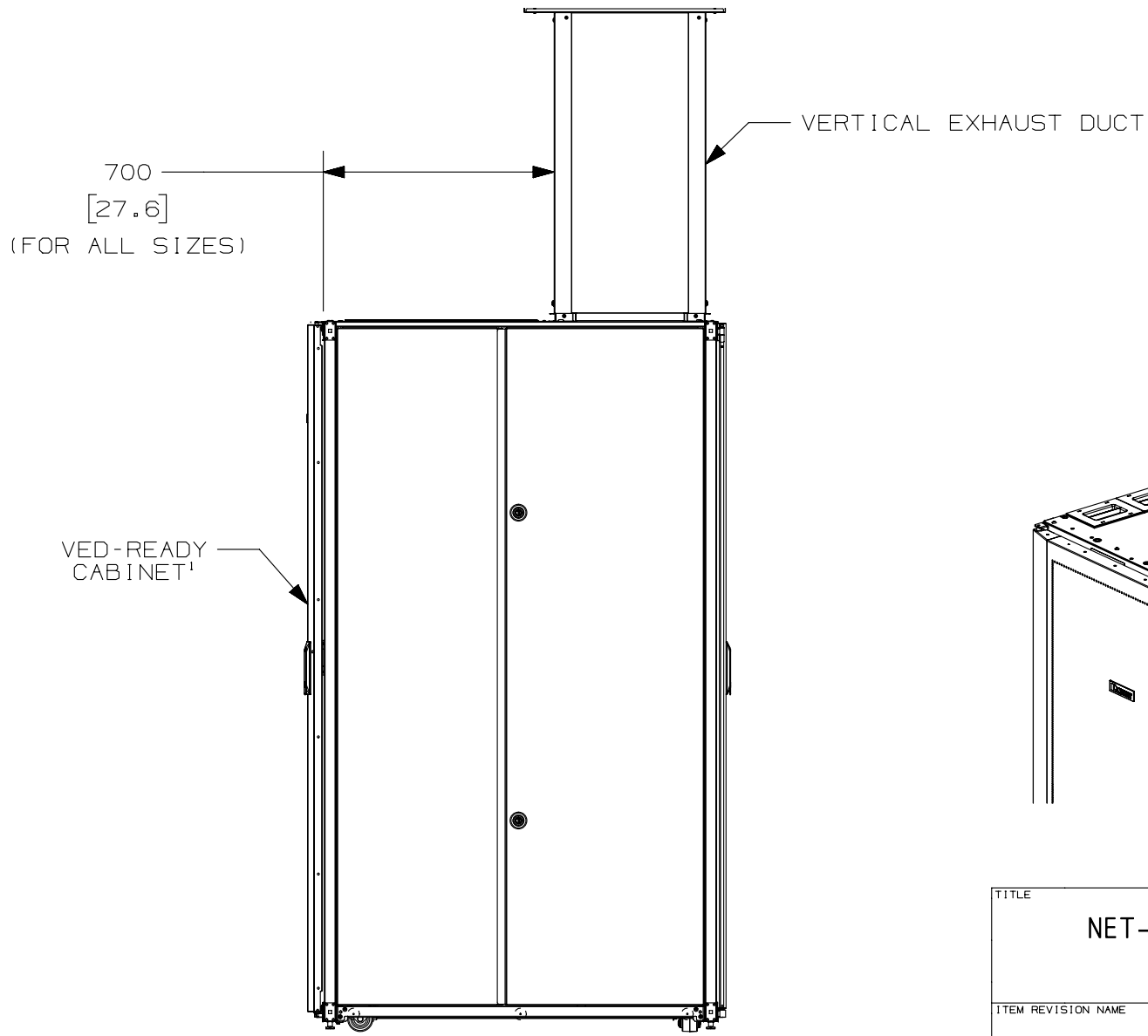
2

1

A

A

THIS COPY IS PROVIDED ON A RESTRICTED BASIS AND IS NOT TO BE USED IN ANY WAY DETRIMENTAL TO THE INTERESTS OF PANDUIT CORP.



1. THE NET-CONTAIN™ VERTICAL EXHAUST DUCT CAN ONLY BE USED WITH A VED-READY TYPE CABINET (PURCHASED SEPARATELY).

TITLE												
NET-CONTAIN™ VERTICAL EXHAUST DUCT FOR N OR S TYPE CABINETS												
CUSTOMER DRAWING												
ITEM REVISION NAME					12V285ZV/01							
DATASET FILE NAME					12V285ZV_DC/01A							
					MATERIAL:							
					N/A							
					DRAWING NUMBER:							
					12V285ZV							
REV	DATE	BY	CHK	APR	DESCRIPTION	ECN	DRAWN BY	DATE	CHK	SCALE	DRAWING NUMBER:	SIZE
--	---	--			SEE SHEET 1 OF 4 FOR REVISIONS	12V285AP	PJST	10/16/12		N/A	SHT 4 OF 4	A

D10100DA/12