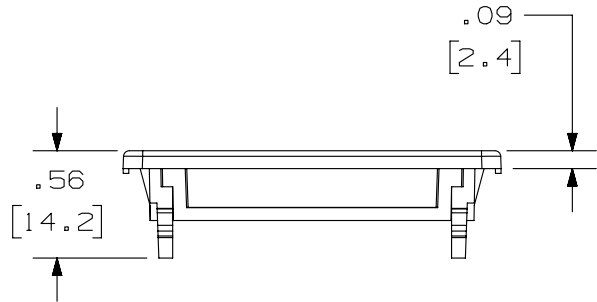
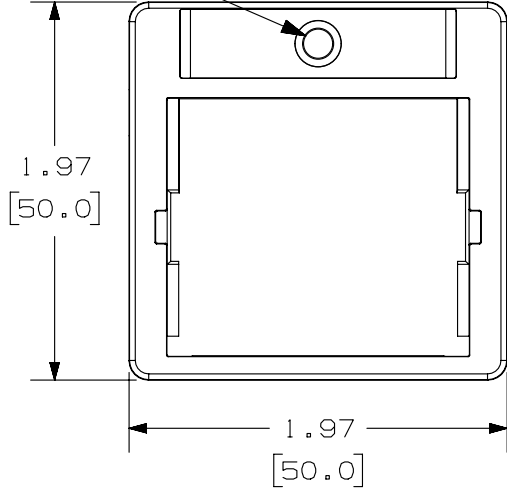


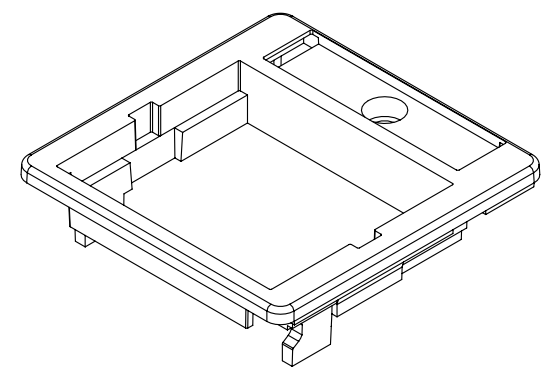
THIS COPY IS PROVIDED ON A RESTRICTED BASIS AND IS NOT TO BE USED IN ANY WAY DETRIMENTAL TO THE INTERESTS OF PANDUIT CORP.

MOUNTING HOLE
FOR M3x0.5x16mm
SCREW



PANDUIT P/N	WEIGHT
CBAG**Y	.11 LB/10 PCS (49.9 g/10 PCS)

- NOTES:
- SEE CURRENT CATALOG FOR ADDITIONAL PART NUMBER SUFFIXES TO INDICATE COLOR AND OR PACKAGE QUANTITY.
 - ADAPTER ACCEPTS ONE PANDUIT 1/2 SIZE INSERT.
 - MUST BE USED IN CONJUNCTION WITH PANDUIT FCFP BEZEL OR OTHER SIMILAR 80x80mm BEZEL.
 - DIMENSIONS IN [] ARE IN METRIC.
 - PART INCLUDES:
 - 1- MOUNTING SCREW
 - 1- SUPPORT RING
 - 1- LABEL
 - 1- LABEL COVER



PART NUMBER		CBAG**Y	
TITLE			
GERMAN 50mm X 50mm FACEPLATE ADAPTER			
CUSTOMER DRAWING			
ITEM REVISION NAME		M02479FT/00	
DATASET FILE NAME		M02479FT_DC152/00B	
UNLESS OTHERWISE SPECIFIED, DIMENSIONAL TOLERANCES ARE: IN [mm]		MATERIAL:	
.x ± .1 [2.54]		.xxx ± .005 [.127]	
.xx ± .01 [.25]		ANGLES ± 5 °	
DRAWN BY		SCALE	
JSP		NONE	
DATE		SHT 1 OF 1	
4-18-05		A	
CHK		DRAWING NUMBER:	
MJD		02479-152	
THIRD ANGLE PROJECTION			
SIZE			
A			

REV	DATE	BY	CHK	APR	DESCRIPTION	ECN
1	3/10/14	JSP	REFR	MMR	A. REVISED DRAWING TITLE BLOCK.	02479-152
R	4-18-05	JSP	MJD	MJD	RELEASED TO PRODUCTION	02479-152

D10100DA/14