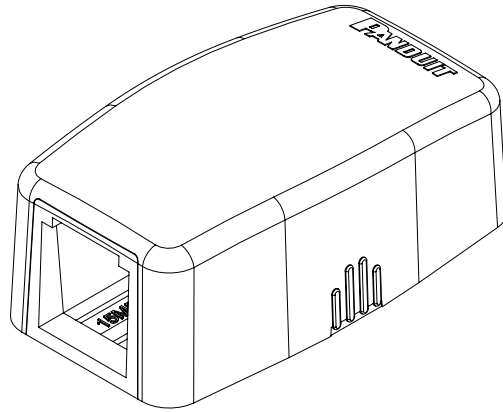
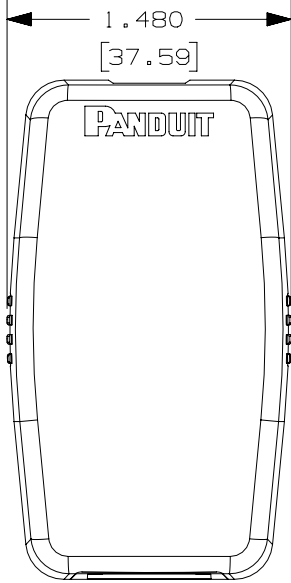


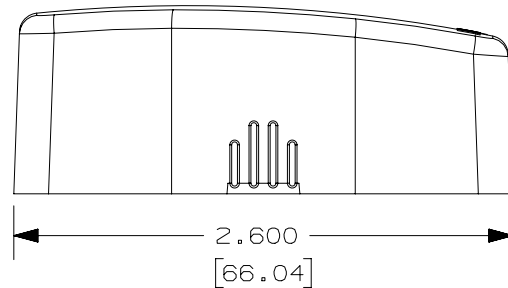
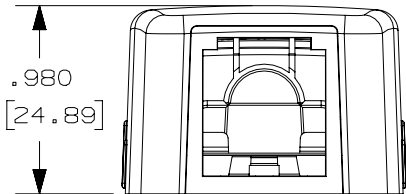
THIS COPY IS PROVIDED ON A RESTRICTED BASIS AND IS NOT TO BE USED IN ANY WAY DETRIMENTAL TO THE INTERESTS OF PANDUIT CORP.



PANDUIT P/N	WEIGHT
CBXQ1**-A	.36 LB/10 PCS 163.4 g/10 PCS

NOTES:

1. SEE CURRENT CATALOG FOR ADDITIONAL PART NUMBER SUFFIXES TO INDICATE COLOR AND OR PACKAGE QUANTITY.
2. SEE CATALOG FOR A COMPLETE LIST OF PARTS APPLICABLE FOR USE WITH THIS PART.
3. DIMENSIONS IN PARENTHESES ARE IN METRIC.
4. BREAKOUTS DESIGNED TO ACCEPT LD3/LDPH3 RACEWAY. (DOES NOT ENTER BOX.)
5. INCLUDED WITH BOX KIT:
 - a. (1) BOX COVER
 - b. (1) BOX BASE
 - c. (1) PLT1M PAN-TY
 - d. (1) STRIP OF 1.00" X .75" TAPE FOR MOUNTING



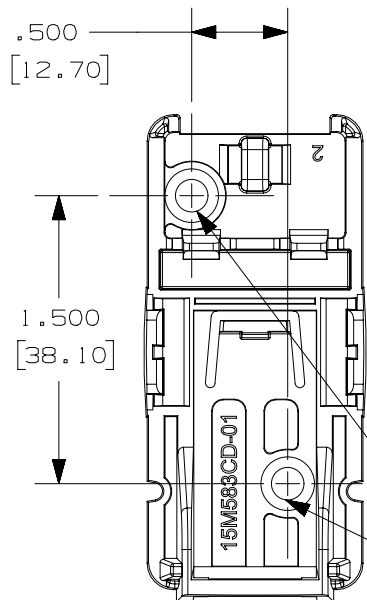
NO WARRANTY, EXPRESSED OR IMPLIED, IS MADE BY PANDUIT WITH RESPECT TO ADHESIVE BOND PERFORMANCE. AMONG OTHER THINGS, THE CONDITIONS UNDER WHICH THESE MOUNTS MAY BE APPLIED AND/OR THE SURFACE TO WHICH THEY MAY BE APPLIED ARE BEYOND PANDUIT'S CONTROL

PART NUMBER		SEE TABLE	
TITLE			
MINI-COM 1 POSITION BOX KIT			
CUSTOMER DRAWING			
ITEM REVISION NAME		15M583CF/16	
DATASET FILE NAME		15M583CF_DC06/16A	
UNLESS OTHERWISE SPECIFIED, DIMENSIONAL TOLERANCES ARE: IN (mm)		PANDUIT	
.X ± .XX ±			
DRAWING NUMBER:		15M583CF - 06	
DRAWN BY		SCALE	
BJN		NONE	
DATE		SHT 1 OF 2	
4-1-16		A	
CHK		SIZE	
JCO		A	
THIRD ANGLE PROJECTION			

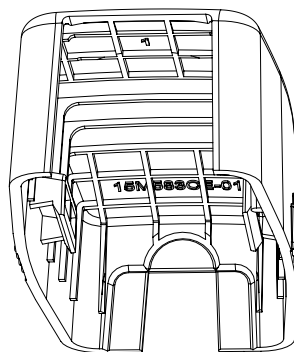
REV	DATE	BY	CHK	APR	DESCRIPTION	ECN
R	4-5-16	BJN	JCO	MMR	RELEASED TO PRODUCTION	15M583CF-06

D10100DA/14

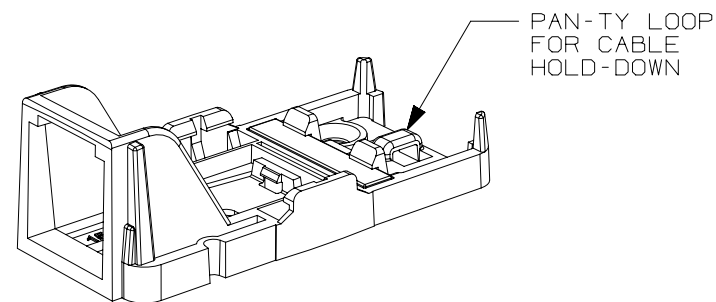
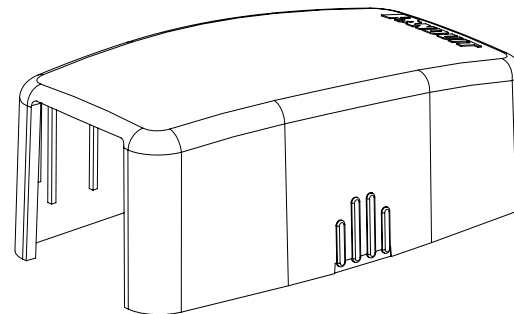
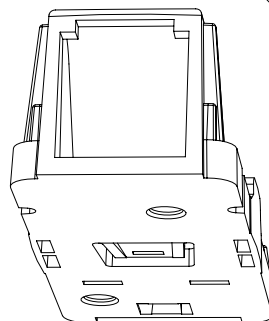
THIS COPY IS PROVIDED ON A RESTRICTED BASIS AND IS NOT TO BE USED IN ANY WAY DETRIMENTAL TO THE INTERESTS OF PANDUIT CORP.



MOUNTING HOLES FOR #6 COUNTERSUNK SCREW (NOT INCLUDED)



BREAKOUT AREA



PAN-TY LOOP FOR CABLE HOLD-DOWN

PART NUMBER		SEE TABLE	
TITLE			
MINI-COM 1 POSITION BOX KIT			
CUSTOMER DRAWING			
ITEM REVISION NAME		15M583CF/16	
DATASET FILE NAME		15M583CF_DC06/16A	
UNLESS OTHERWISE SPECIFIED, DIMENSIONAL TOLERANCES ARE: IN (mm)		PANDUIT	
.X ±		.XXX ±	
.XX ±		ANGLES ±	
		THIRD ANGLE PROJECTION	
MATERIAL:		SEE NOTES	
DRAWING NUMBER:		15M583CF - 02	
REV	DATE	BY	CHK
R	4-1-16	BJN	JCO
DESCRIPTION	ECN	SCALE	SIZE
SEE SHEET 1 FOR REVISION HISTORY	15M583CF-02	NONE	A

D10100DA/14