

# Mini-Com® Surface Mount Boxes

# PANDUIT®

SPECIFICATION SHEET

## specifications

Surface Mount Boxes shall have a low profile design and be available in a variety of port densities. Boxes shall accept most Mini-Com® Modules for fiber, copper, and audio/video applications. The boxes shall mount with screws, adhesive, or optional magnets. The box covers include breakouts for use with surface raceway. Cable tie slots shall be included to provide strain relief on incoming cables. Select boxes shall include a cover with a quick release feature.



## technical information

<b>Mounting option:</b>	Mounts easily with screws, adhesive tape or optional magnet
<b>Material:</b>	Box is made of ABS
<b>UL rated:</b>	UL 1863; UL 2043 for 1 and 2 position boxes

### Compatible raceway, magnets, and packaging:

Part Number	Breakout Suitable for:	No. of Adhesive Strips	No. of Cable Ties	Label/Label Cover Included	Mounting Screws Included	Screw Cover Included	Magnet Pockets
CBXQ1**-A	LD3/LDPH3	1	1	No	No	No	1
CBXQ2**-A	LD3/LDPH3	2	1	Yes	No	Yes	1
	LD5/LDPH5						
CBXQ4**-A	LD3/LDPH3	2	2	Yes	No	Yes	2
	LD5/LDPH5						
	LD10/LDPH10						
CBXQ6**-A	LD3/LDPH3	2	2	Yes	No	Yes	2
	LD5/LDPH5						
	LD10/LDPH10						
CBX1**-A*	LD3/LDPH3	1	0	No	No	No	0
CBX2**-A	LD3/LDPH3	1	1	No	Yes	No	1
	LD5/LDPH5						
CBX4**-A	LD3/LDPH3	2	2	Yes	Yes	Yes	2
	LD5/LDPH5						

\*Raceway does not enter box.

## key features and benefits

<b>Quick release cover</b>	Can be removed by hand, does not require tool
<b>Modular</b>	Accepts most Mini-Com® Modules, for easy moves, adds, and changes
<b>Low profile design</b>	Smaller profile offers a less conspicuous look
<b>Raceway breakouts</b>	Compatible with specific raceway, conceals cable entering the box
<b>Cover screw</b>	Boxes with label pocket provide a screw that secures the cover to the base
<b>Labels and label covers</b>	Select boxes include a label pocket to meet TIA/EIA-606B labeling standards
<b>Magnet pockets</b>	Magnet can be used with magnet pocket for optional mounting (CBX1**-A does not include a magnet pocket); CBM-X for use with standard boxes
<b>Shuttered feature</b>	Achieved by installing jack modules with spring shuttered door
<b>UL 2043</b>	1 and 2 pos are suitable for installations in air handling spaces

## applications

Mini-Com® Surface Mount Boxes offer a variety of mounting options, allowing Mini-Com® Modules to be mounted on a variety of surfaces, such as standard walls, metal surfaces, office furniture, etc. Surface mount boxes include breakouts compatible with Panduit's raceway system to conceal and allow cable to run into the box providing a point of connection for voice, video and data applications.

Mini Com® Blanks can be used to reserve space for future expansion. Quick cover removal provides easy access for moves, adds and changes with the ability to secure cover to base if needed. 1 and 2 position comply with UL 2043 making them suitable for air handling spaces.

### Mini-Com® Surface Mount Boxes with Quick Release Cover

<b>1-port:</b>	CBXQ1**-A^
<b>2-port:</b>	CBXQ2**-A^
<b>4-port:</b>	CBXQ4**-A^
<b>6-port:</b>	CBXQ6**-A^

### Elongated Surface Mount Boxes:

<b>One module space:</b>	CBX1**-A^
<b>Two module space:</b>	CBX2**-A^
<b>Four module space:</b>	CBX4**-A

### Accessories:

<b>Blank module:</b>	CMB**-X
<b>Magnet (standard boxes):</b>	CBM-X

Category 5e, 6 and 6A couplers are not compatible with surface mount boxes.

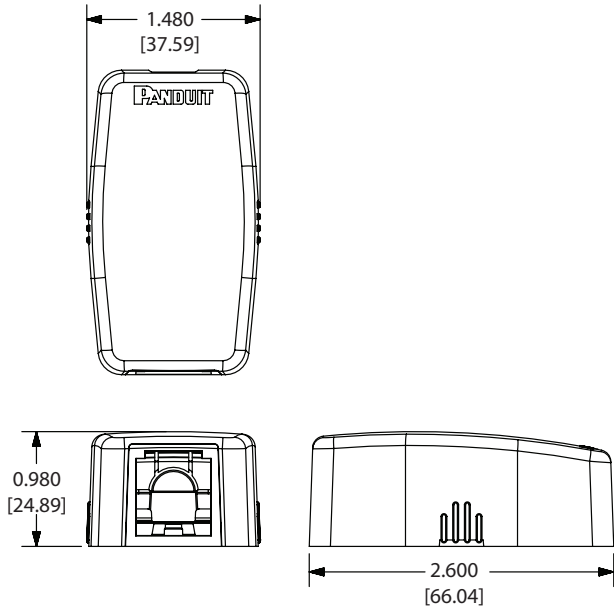
\*\*To designate color, add suffix  
EI (Electric Ivory), IW (Off White),  
IG (International Gray), WH (White),  
BL (Black), AW (Arctic White).

^ Suitable for air handling spaces

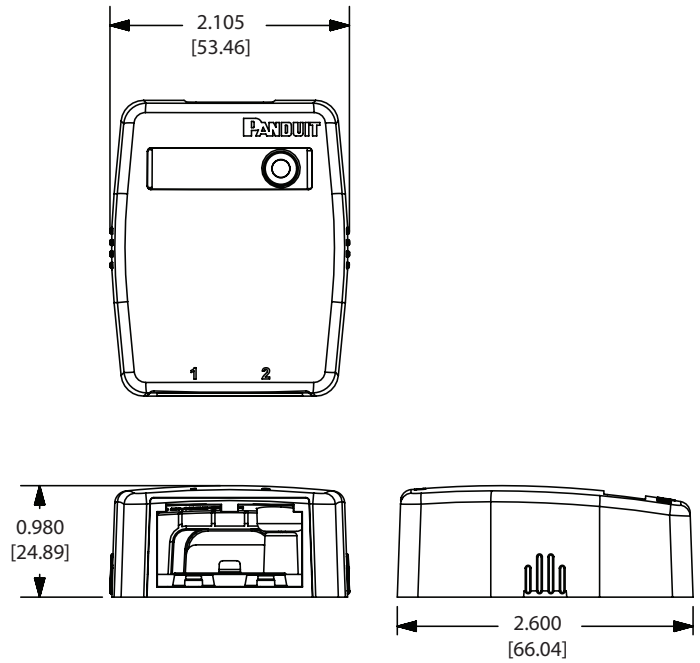
# Mini-Com® Surface Mount Boxes

## Mini-Com® Surface Mount Boxes with Quick Release Cover

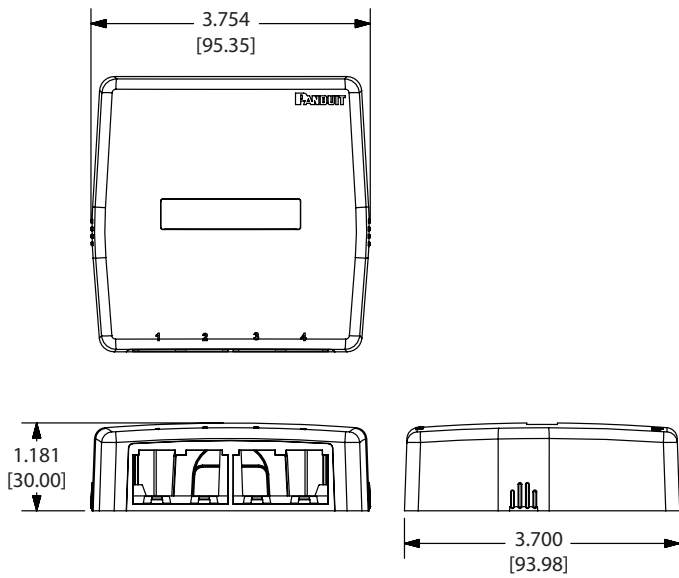
CBXQ1



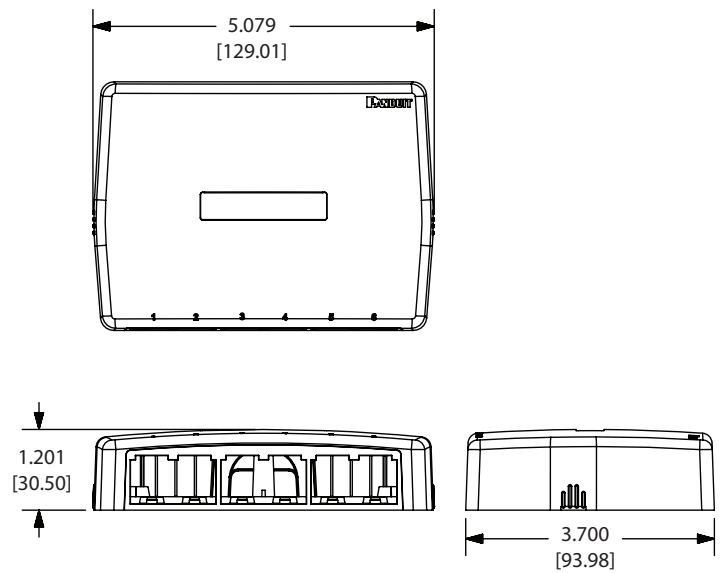
CBXQ2



CBXQ4

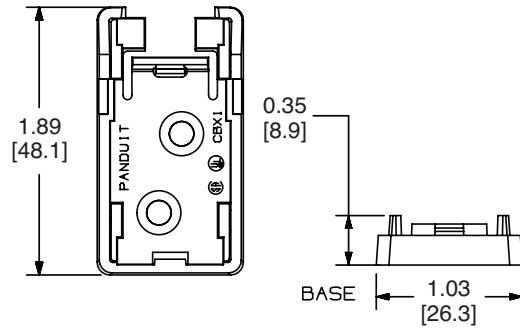


CBXQ6

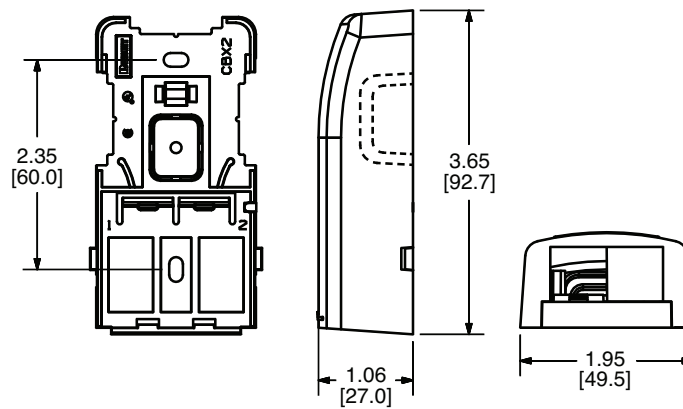


# Mini-Com® Surface Mount Boxes

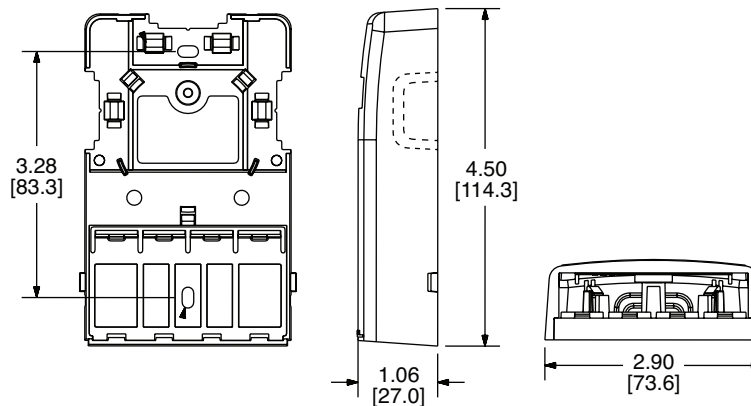
**CBX1**



**CBX2**



**CBX4**



Dimensions are in inches. [Dimensions in brackets are metric].

## WORLDWIDE SUBSIDIARIES AND SALES OFFICES

PANDUIT CANADA  
Markham, Ontario  
cs-cdn@panduit.com  
Phone: 800.777.3300

PANDUIT EUROPE LTD.  
London, UK  
cs-emea@panduit.com  
Phone: 44.20.8601.7200

PANDUIT SINGAPORE PTE. LTD.  
Republic of Singapore  
cs-ap@panduit.com  
Phone: 65.6305.7575

PANDUIT JAPAN  
Tokyo, Japan  
cs-japan@panduit.com  
Phone: 81.3.6863.6000

PANDUIT LATIN AMERICA  
Guadalajara, Mexico  
cs-la@panduit.com  
Phone: 52.33.3777.6000

PANDUIT AUSTRALIA PTY. LTD.  
Victoria, Australia  
cs-aus@panduit.com  
Phone: 61.3.9794.9020

For a copy of Panduit product warranties, log on to [www.panduit.com/warranty](http://www.panduit.com/warranty)

For more information

Visit us at [www.panduit.com](http://www.panduit.com)

Contact Customer Service by email: [cs@panduit.com](mailto:cs@panduit.com)  
or by phone: 800.777.3300

**PANDUIT®**

© 2017 Panduit Corp.  
ALL RIGHTS RESERVED.  
OTSP27--WW-ENG  
3/2017