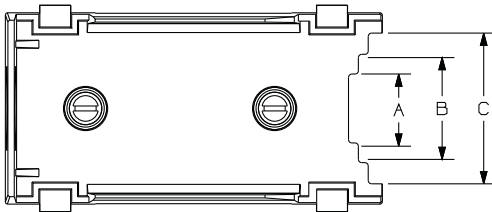
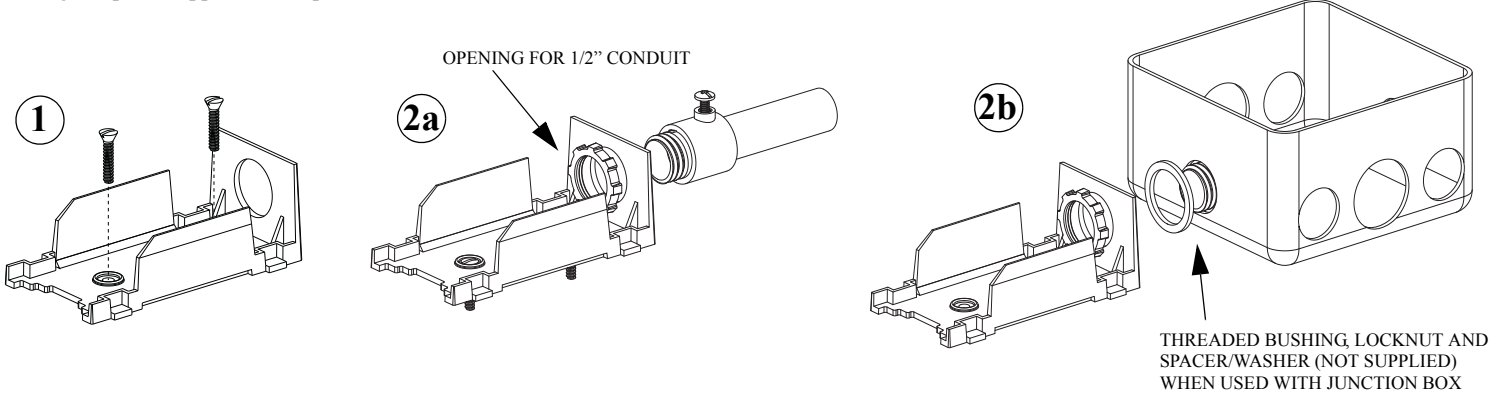
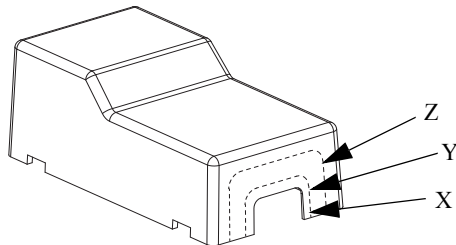


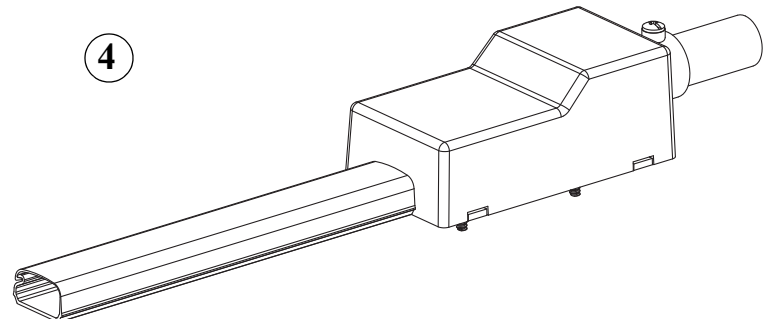
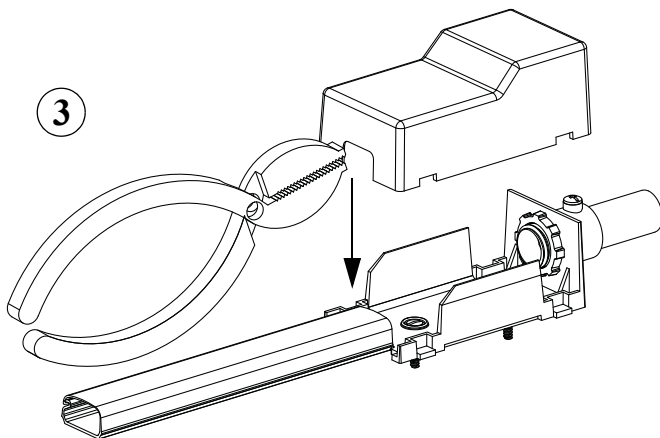
Low voltage or power applications up to 600 V



| Base Breakouts | Surface Raceway |
|----------------|-----------------|
| A | LD3, LDP3, LDS3 |
| B | LD5, LDP5, LDS5 |
| C | LD10, LDP10 |



| Cover Breakouts | Surface Raceway |
|-----------------|-----------------|
| X | LD3, LDP3, LDS3 |
| Y | LD5, LDP5, LDS5 |
| Z | LD10, LDP10 |



For Instructions in Local Languages
and Technical Support:

www.panduit.com/resources/install_maintain.asp

PANDUIT
www.panduit.com

E-mail:
techsupport@panduit.com

Phone:
866-405-6654