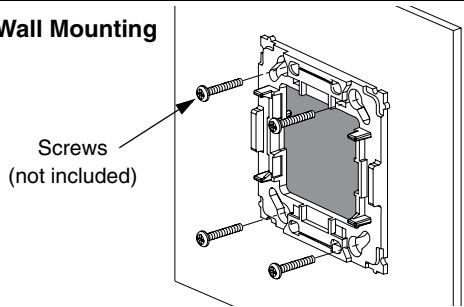


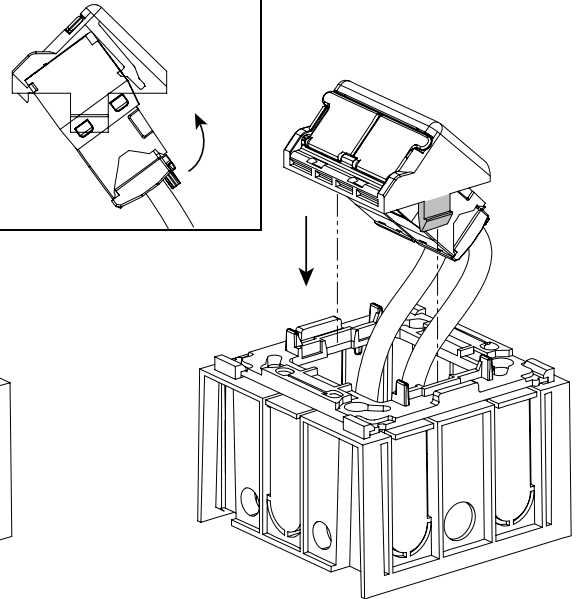
CFD66S2S\*\*

#### Wall Mounting

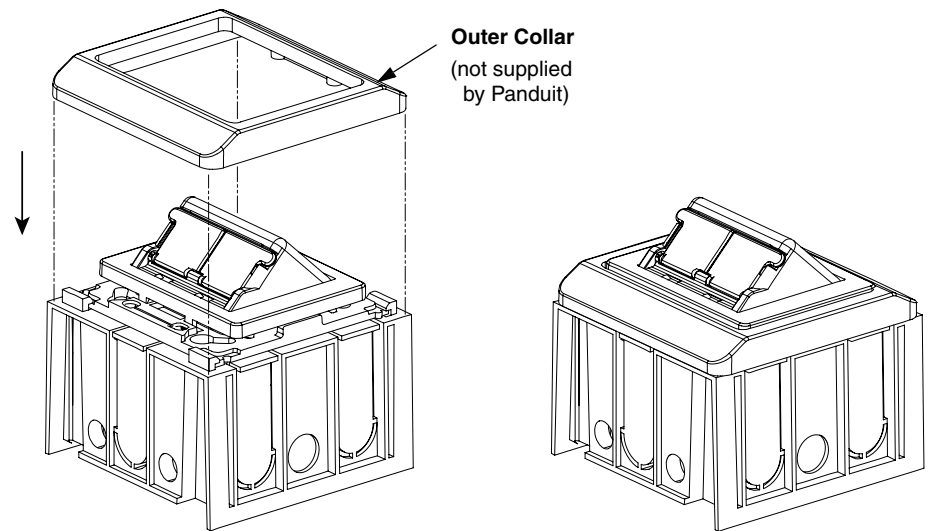
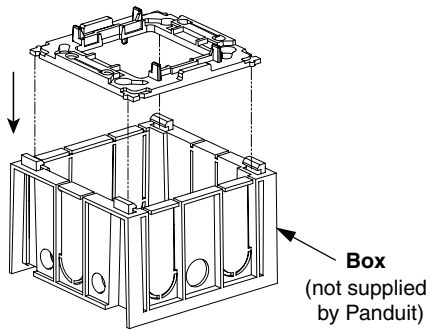


#### Install Jack Modules

Jack Modules  
(not included)



#### Surface Box Mounting



OPUS 66 is a trademark of Lauritz Knudsen A/S, Ballerup, Denmark.

For Instructions in Local Languages  
and Technical Support:

[www.panduit.com/resources/install\\_maintain.asp](http://www.panduit.com/resources/install_maintain.asp)

# PANDUIT

[www.panduit.com](http://www.panduit.com)

E-mail:  
[cs@panduit.com](mailto:cs@panduit.com)

Fax:  
(708) 444-6993