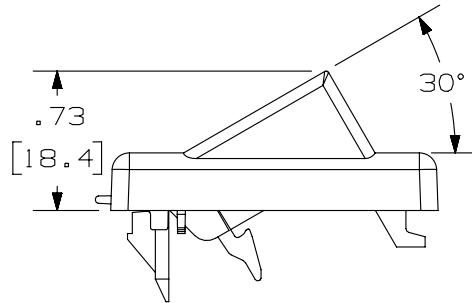
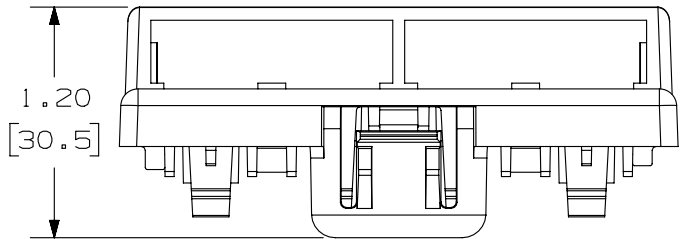
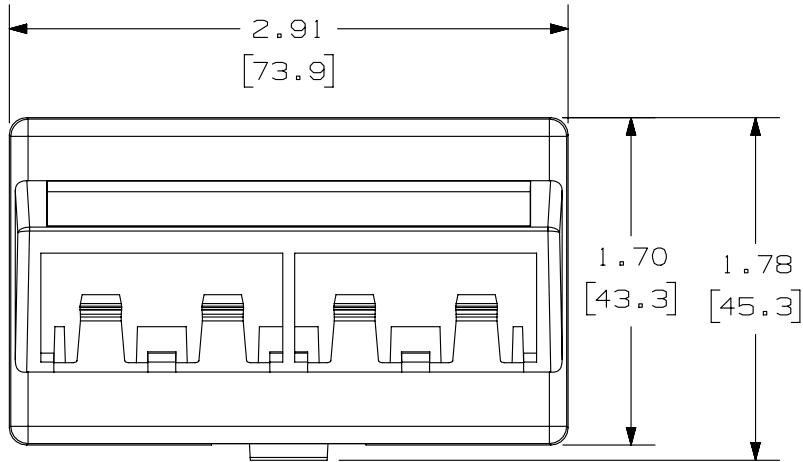


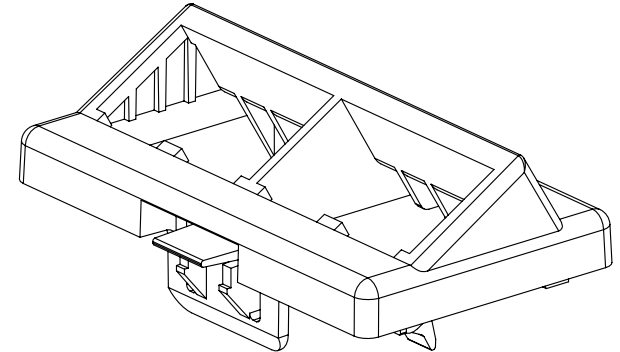
THIS COPY IS PROVIDED ON A RESTRICTED BASIS AND IS NOT TO BE USED IN ANY WAY DETRIMENTAL TO THE INTERESTS OF PANDUIT CORP.



PANDUIT P/N	WEIGHT
CFFPLA4**	.28 LB/10 PCS (128.3 g/10 PCS)

NOTES:

1. SEE CURRENT CATALOG FOR ADDITIONAL PART NUMBER SUFFIXES TO INDICATE COLOR AND OR PACKAGE QUANTITY.
2. SEE CATALOG FOR COMPLETE LIST OF PARTS APPLICABLE FOR USE WITH THIS PART.
3. DIMENSIONS IN [ ] ARE IN METRIC.
4. FACEPLATE ACCEPTS 4 MINI-COM MODULES.
5. FACEPLATE COMES WITH LABEL AND LABEL COVER.
6. FACEPLATE SNAPS INTO STANDARD FURNITURE OPENING. (1.375 X 2.710) MAX. PANEL THICKNESS .09" [ 2.29mm ]



PART NUMBER		CFFPLA4**	
TITLE			
MINI-COM 4 POSITION ANGLED MODULAR FURNITURE FACEPLATE WITH LABEL			
CUSTOMER DRAWING			
ITEM REVISION NAME		M01327BD/02	
DATASET FILE NAME		M01327BD_DC/02A	
UNLESS OTHERWISE SPECIFIED, DIMENSIONAL TOLERANCES ARE: IN [ mm ]		MATERIAL:	
.x ± .xx ± .03 [ .8 ]		ABS	
.xxx ± .010 [ .3 ] ANGLES ±		DRAWING NUMBER:	
THIRD ANGLE PROJECTION		01327-02	
DRAWN BY	DATE	CHK	SCALE
JSP	2-14-02	JAJP	NONE
SHT 1 OF 1			SIZE
			A

REV	DATE	BY	CHK	APR	DESCRIPTION	ECN
1	3/19/14	JSP	REFR	MMR	A. REVISED DRAWING TITLE BLOCK.	01327-02
R	2-14-02	JSP	JAJP	JAJP	RELEASED TO PRODUCTION	01327-02

D10100DA/14

2

1

2

1