

Mini-Com™ 86mm x 86mm Shuttered Faceplates

PANDUIT™

SPECIFICATION SHEET

specifications

86mm x 86mm shuttered faceplates shall be available in 1, 2 and 4-port configurations with spring-loaded doors that protect connectors from dust and debris when not in use. Faceplates shall include label pockets and icon slots that enable proper port identification. Mounting screws shall be concealed in a manner that provides added tamper resistance. All faceplates shall accept Mini-Com™ Modules for copper, fiber and audio/video installations.



technical information

Mounting options:	Screw holes with screw retention tabs
Number of ports:	1-port, 2-port and 4-port configurations
Packaging:	Includes faceplate, faceplate cover, label, label cover, and two panhead mounting screws

key features and benefits

Modular	Mini-Com™ Modules snap in and out for easy moves, adds, and changes
Spring loaded doors	Will ensure the doors remain closed when not in use
Concealed screws	Utilizes two-piece construction that allows a cover to snap over the base to hide mounting screws for added security
Labeling capability	Includes label pocket and icon slots that allow ports to be properly identified
Rounded edges	Promotes an aesthetic appearance

applications

Panduit™ Mini-Com™ Faceplates offer an aesthetic solution that complements work areas while offering various features that enhance functionality. Offering modularity for installation flexibility, Mini-Com™ Faceplates support all Mini-Com™ Copper, Fiber, and Audio/Video applications.

As part of a global workstation outlet solution offered by Panduit, Mini-Com™ 86mm x 86mm

Shuttered Faceplates mount to select industry standard wall boxes as a two-piece design that snaps together to conceal mounting screws. Mini-Com™ 86mm x 86mm Shuttered Faceplates utilize spring loaded shuttered doors that remain closed when connections are not in use to protect connectors from dust and debris. Built-in labels and icon slots enable easier identification for lower cost of maintenance.

Mini-Com™ 86mm x 86mm Shuttered Faceplates

M4.0-0.7 x 25mm panhead mounting screws

1-port: CFPL86F1SAW

2-port: CFPL86F2SAW

4-port: CFPL86F4SAW

M3.5-0.5 x 30mm panhead mounting screws

1-port: CFPLUKF1SAW

2-port: CFPLUKF2SAW

4-port: CFPLUKF4SAW

Snap-In Icons

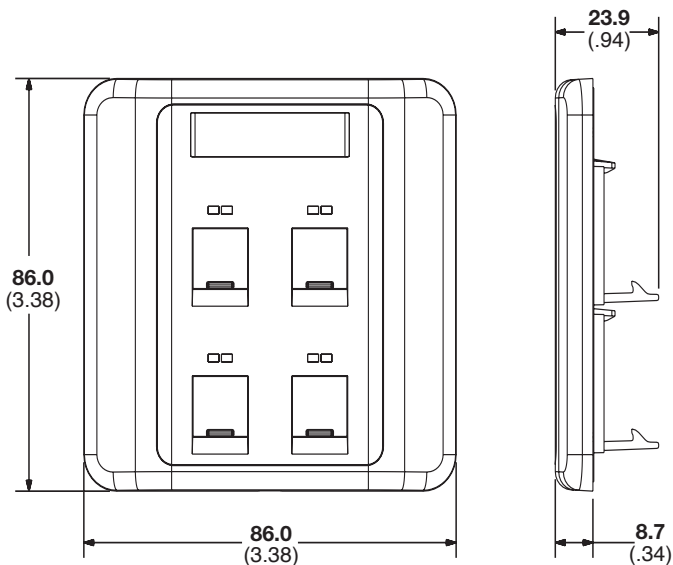
Data: CID*-C

Phone: CIP*-C

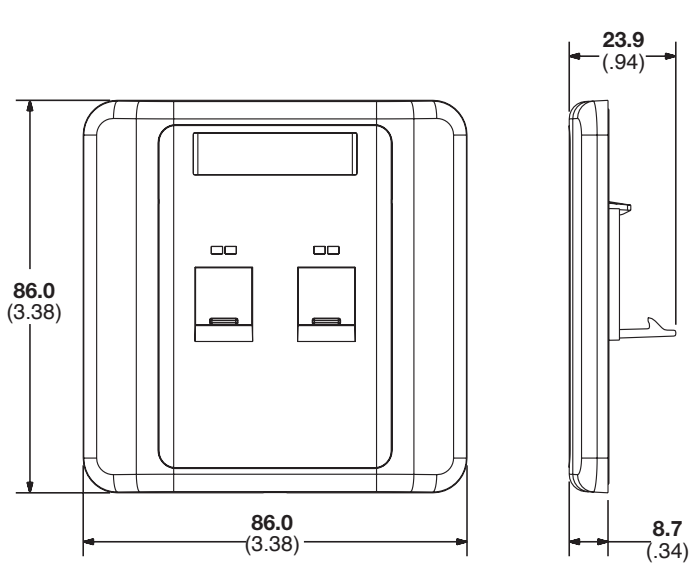
For a complete connectivity solution, visit www.panduit.com for Mini-Com™ Jack Modules and Patch Cords.

*To designate a color, replace the * with AW (Arctic White), BL (Black), BU (Blue), EI (Electric Ivory), GR (Green), IG (International Gray), IW (Off White), OR (Orange), RD (Red), VL (Violet), WH (White), YL (Yellow).

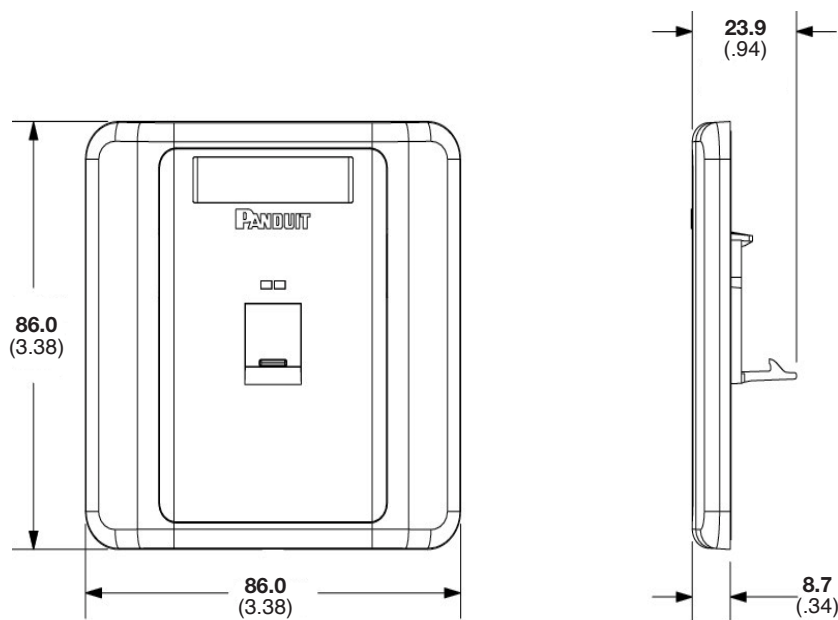
Mini-Com™ 86mm x 86mm Shuttered Faceplates



CFPL86F4S and CFPLUKF4S



CFPL86F2S and CFPLUKF2S



CFPL86F1S & CFPLUKF1S

Dimensions are in metric (dimensions in parentheses are inches).

WORLDWIDE SUBSIDIARIES AND SALES OFFICES

PANDUIT US/CANADA
Phone: 800.777.3300

PANDUIT EUROPE LTD.
London, UK
cs-emea@panduit.com
Phone: 44.20.8601.7200

PANDUIT SINGAPORE PTE. LTD.
Republic of Singapore
cs-ap@panduit.com
Phone: 65.6305.7575

PANDUIT JAPAN
Tokyo, Japan
cs-japan@panduit.com
Phone: 81.3.6863.6000

PANDUIT LATIN AMERICA
Guadalajara, Mexico
cs-la@panduit.com
Phone: 52.33.3777.6000

PANDUIT AUSTRALIA PTY. LTD.
Victoria, Australia
cs-aus@panduit.com
Phone: 61.3.9794.9020

For a copy of Panduit product warranties, log on to www.panduit.com/warranty

For more information

Visit us at www.panduit.com

Contact Customer Service by email: cs@panduit.com
or by phone: 800.777.3300

PANDUIT™

©2018 Panduit Corp.
ALL RIGHTS RESERVED.
Printed in the U.S.A.
OTSP46-WW-SG
Replaces WW-OTSP17-SG
9/2018