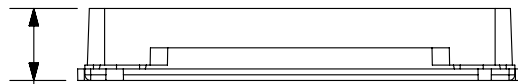
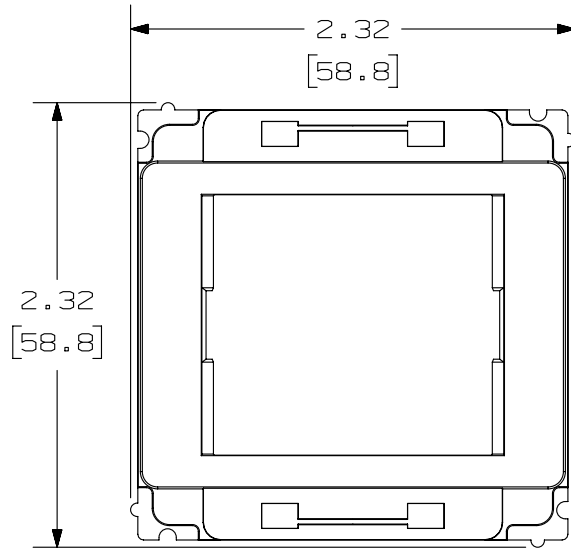


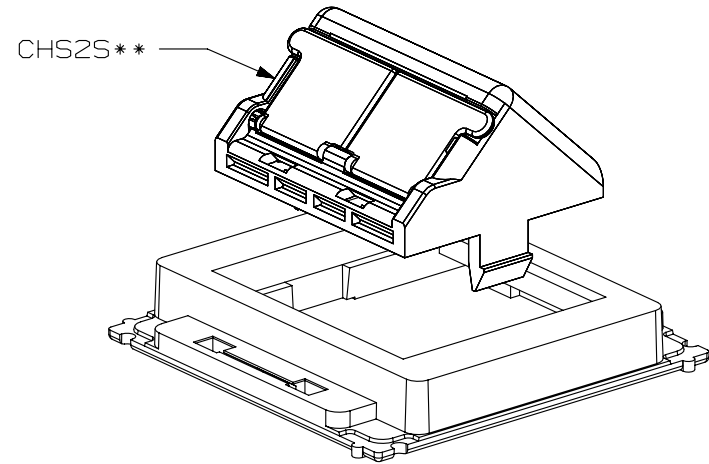
THIS COPY IS PROVIDED ON A RESTRICTED BASIS AND IS NOT TO BE USED IN ANY WAY DETRIMENTAL TO THE INTERESTS OF PANDUIT CORP.



PANDUIT P/N	WEIGHT
CHLK66S2S**	1.85 LB/10 PCS (84.1 g/10 PCS)

NOTES:

- SEE CURRENT CATALOG FOR ADDITIONAL PART NUMBER SUFFIXES TO INDICATE COLOR AND OR PACKAGE QUANTITY.
- SEE CATALOG FOR COMPLETE LIST OF PARTS APPLICABLE FOR USE WITH THIS PART.
- DIMENSIONS IN [] ARE IN METRIC.
- PART INCLUDES:
1- OPUS 66 FACEPLATE ADAPTER
1- COLOR COORDINATED CHS2S**



OPUS 66 IS A TRADEMARK OF LAURITZ KNUDSEN A/S BULLERUE, DENMARK

PART NUMBER		CHLK66S2S**	
TITLE			
MINI-COM 2 POSITION SLOPED SHUTTERED OPUS 66 FACEPLATE ADAPTER KIT			
CUSTOMER DRAWING			
ITEM REVISION NAME		M02042BA/04	
DATASET FILE NAME		M02042BA_DC/04C	
UNLESS OTHERWISE SPECIFIED, DIMENSIONAL TOLERANCES ARE: IN [mm]		MATERIAL:	
.x ± .xxx ± .010 [.3]		CHS2S**: ABS	
.xx ± .03 [.8] ANGLES ±		ADAPTER: PC	
THIRD ANGLE PROJECTION		DRAWING NUMBER:	
DRAWN BY		02042-02	
JSP		SHT 1 OF 1	
DATE		SIZE	
1-25-06		A	
CHK			
EB			
SCALE			
NONE			

REV	DATE	BY	CHK	APR	DESCRIPTION	ECN
1	5/21/14	JSP	REFR	MMR	A. REVISED DRAWING TITLE BLOCK.	02042-02
R	1-25-06	JSP	EB	EB	RELEASED TO PRODUCTION	02042-02

D101000DA/14