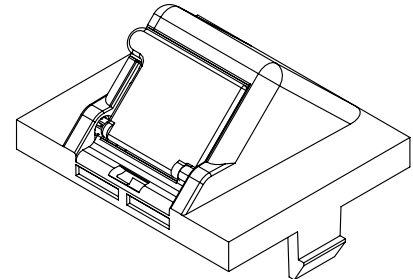
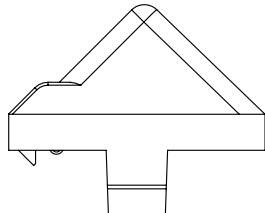
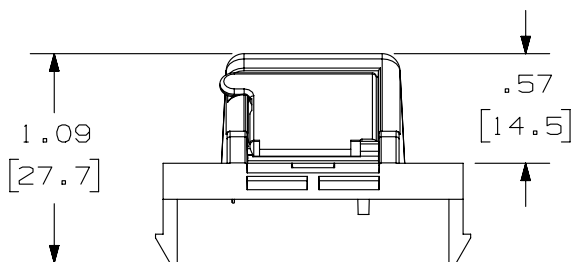
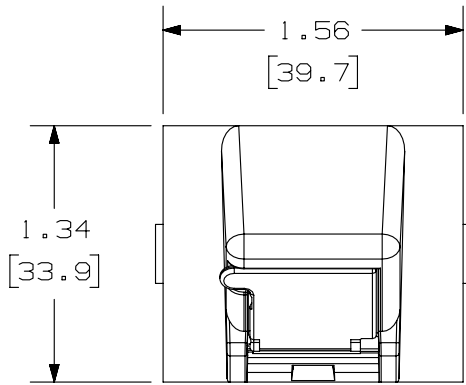


THIS COPY IS PROVIDED ON A RESTRICTED BASIS AND IS NOT TO BE USED IN ANY WAY DETRIMENTAL TO THE INTERESTS OF PANDUIT CORP.



* PANDUIT P/N	WEIGHT
CHSIS**-X	.15 LB/10 PCS (68.0 g/10 PCS)

- NOTES:
- * 1. SEE CURRENT CATALOG FOR ADDITIONAL PART NUMBER SUFFIXES TO INDICATE COLOR AND OR PACKAGE QUANTITY.
 - 2. THIS PART IS TO BE USED WITH THE MINI-COM BEZELS AND MINI-COM MODULES.
 - 3. DIMENSIONS IN BRACKETS ARE IN METRIC.

PART NUMBER		CHSIS**-X	
TITLE			
MINI COM 1 POSITION SLOPED SHUTTERED 1/2 SIZE INSERT			
CUSTOMER DRAWING			
ITEM REVISION NAME		M00762AA/00	
DATASET FILE NAME		M00762AA_DC03/00B	
UNLESS OTHERWISE SPECIFIED, DIMENSIONAL TOLERANCES ARE: IN [mm]		MATERIAL:	
.X ± .xxx ± .010 [.3]		ABS	
.xx ± .03 [.8]		DRAWING NUMBER:	
THIRD ANGLE PROJECTION		00762-03	
DRAWN BY	DATE	CHK	SCALE
JSP	10-27-99	CEF	FULL
SHT 1 OF 1			SIZE
			A

REV	DATE	BY	CHK	APR	DESCRIPTION	ECN
1	6-23-14	MDJR	REFR	MMR	B. PART NUMBER WAS CHSIS**. A. UPDATED TITLE BLOCK.	00762-03
R	10-27-99	JSP	CEF	CEF	RELEASED TO PRODUCTION	00762-03

D10100DA/14