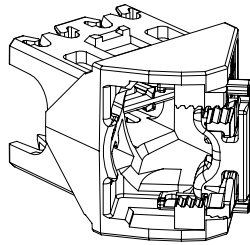
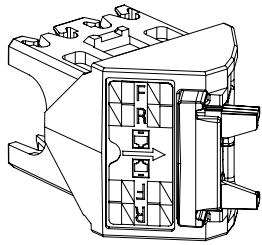


THIS COPY IS PROVIDED ON A RESTRICTED BASIS AND IS NOT TO BE USED IN ANY WAY DETRIMENTAL TO THE INTERESTS OF PANDUIT CORP.



NOTES:

1. VISIT OUR ON-LINE CATALOG AT WWW.PANDUIT.COM FOR A LIST OF CURRENT PARTS APPLICABLE FOR USE WITH THIS PRODUCT.
2. DIMENSIONS IN [ ] ARE METRIC.
3. WEIGHT: 0.45 LB/100 PCS ( 203 g/100PCS )
4. TERMINATES ALL CJ\*\*88TG\*\* JACKS
5. WIRE CAP TERMINATES TO THE RIGHT OR TO THE LEFT (HORIZONTALLY).
6. TERMINATES 22-26 AWG SOLID OR STRANDED UTP CABLE
7. RoHS COMPLIANT

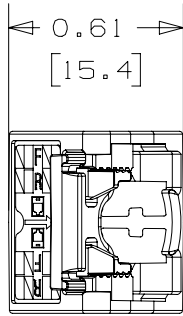
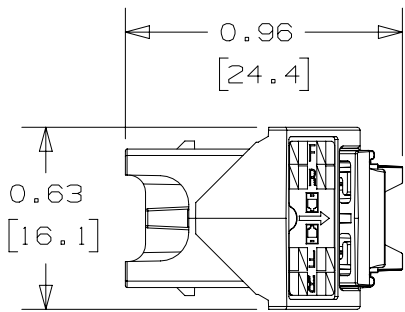


TABLE 1 - PART NUMBERS			
PART NUMBER	COLOR	PERFORMANCE CATEGORY	
		(TIA)	ISO
CJLRCAPBU-%	BLUE	CATEGORY 6A	CLASS EA
CJLRCAPIW-%	INTERNATIONAL WHITE	CATEGORY 6	CLASS E
CJLRCAPRD-%	RED	CATEGORY 5E	CLASS D

WHERE % -C IS FOR BULK PACK OF 100 AND -X IS FOR BULK PACK OF 10

PART NUMBER		SEE TABLE 1	
TITLE			
<b>MINI-COM™ TG™ 45° LEFT-RIGHT WIRE CAP</b> CUSTOMER DRAWING			
ITEM REVISION NAME		00153LAF/02	
DATASET FILE NAME		00153LAF_DC/02A	
		THIRD ANGLE PROJECTION	
MATERIAL		DRAWING NUMBER	
SEE ASSEMBLY PART NUMBER		00153LAF-02	
DRAWN BY	DATE	CHK	SCALE
BJN	4-4-18	DCS	NONE
SHEET 1 OF 1			SIZE
			A

REV	DATE	BY	CHK	APR	DESCRIPTION	ECN
4	4-17-18	BJN	ROJC	TMBA	UPDATED WIRE MAP LABEL	00153LAF-02
3	4-4-18	BJN	DCS	TMBA	UPDATED	00153LAF-02

A-SIZE CUSTOMER