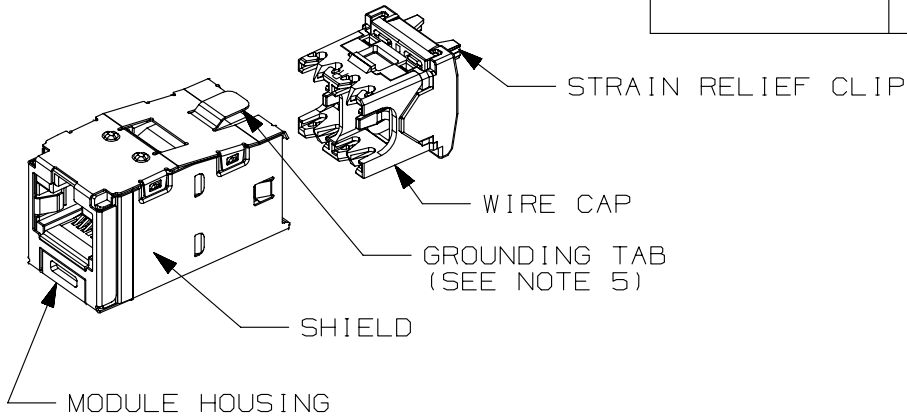


THIS COPY IS PROVIDED ON A RESTRICTED BASIS AND IS NOT TO BE USED IN ANY WAY DETRIMENTAL TO THE INTERESTS OF PANDUIT CORP.

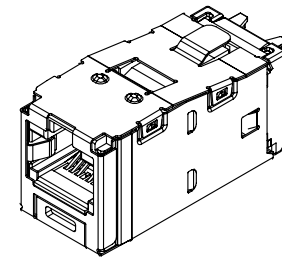
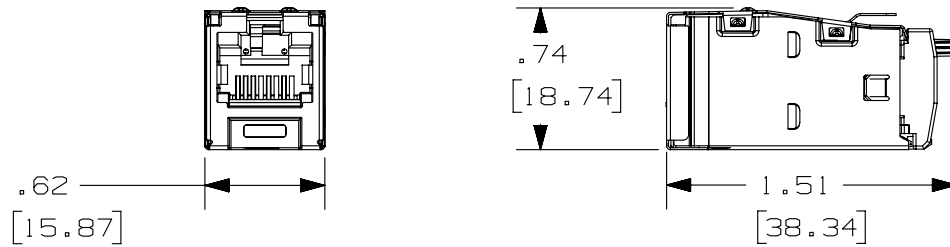
PART #	DESCRIPTION	WEIGHT*
CJSQ688TGBL	8 POSITION, 8 WIRE SHIELDED MODULE WITH INTEGRAL SHIELD. TERMINATION CAP IS COLOR CODED FOR T568A AND T568B WIRING SCHEMES.	3.314 LB/100 PCS (1503g/100 PCS)



\*WEIGHT IS APPROXIMATE

NOTES:

1. WHITE WIRE CAP DESIGNATES CATEGORY 6 PERFORMANCE.
2. MATERIAL:  
MODULE HOUSING-ABS  
NOMINAL WALL THICKNESS .078(2.0).  
WIRE CAP-PC/ZINC
3. ALL PVIQ TX6 8 POSITION, 8 WIRE, KEYED JACK MODULES ARE MADE TO EXCEPT ONLY PVIQ KEYED PLUG MODULES.
4. DIMENSIONS IN PARENTHESES ARE IN METRIC.
5. .187 x .010" GROUNDING TAB PROVIDED AS OPTIONAL CONDUCTIVE PATH FOR GROUNDING.



ACTUAL SIZE

PART NUMBER		CJSQ688TGBL	
TITLE			
PVIQ TX6 MODULAR KEYED SHIELDED JACK MODULE			
CUSTOMER DRAWING			
ITEM REVISION NAME		M03084EJ/00	
DATASET FILE NAME		M03084EJ_DC56/00B	
UNLESS OTHERWISE SPECIFIED, DIMENSIONAL TOLERANCES ARE: IN (mm)		MATERIAL:	
.x ± .xxx ± .010 (.3)		SEE NOTE 2	
.xx ± .03 (.8) ANGLES ±		DRAWING NUMBER:	
THIRD ANGLE PROJECTION		03084-56	
DRAWN BY	DATE	CHK	SCALE
MDJR	1-28-10	KSM	FULL
REV	DATE	BY	CHK
1	5-30-14	MDJR	REFR
R	1-28-10	MDJR	KSM
DESCRIPTION		ECN	
A. UPDATED TITLE BLOCK.		03084-56	
RELEASED TO PRODUCTION		03084-56	
DESCRIPTION		ECN	

REV	DATE	BY	CHK	APR	DESCRIPTION	ECN
1	5-30-14	MDJR	REFR	EJH	A. UPDATED TITLE BLOCK.	03084-56
R	1-28-10	MDJR	KSM	PBD	RELEASED TO PRODUCTION	03084-56

D10100DA/14