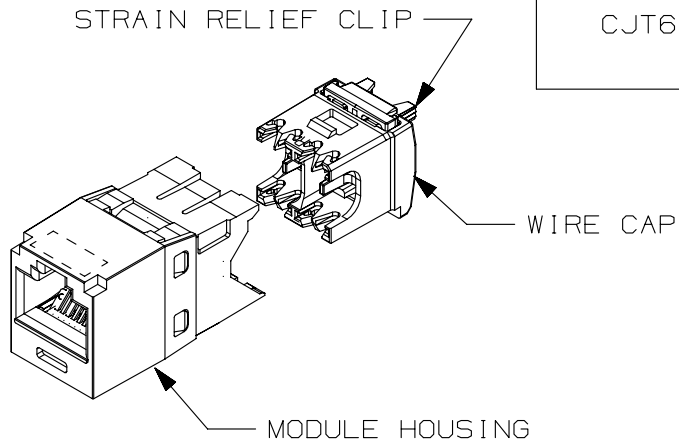


THIS COPY IS PROVIDED ON A RESTRICTED BASIS AND IS NOT TO BE USED IN ANY WAY DETRIMENTAL TO THE INTERESTS OF PANDUIT CORP.

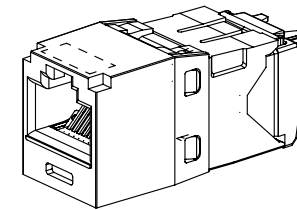
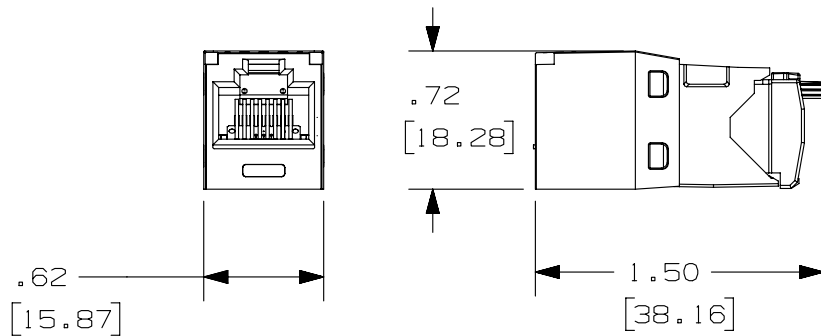


PANDUIT PART#	DESCRIPTION	WEIGHT*
CJT688TG**	8 POSITION, 8 WIRE UNIVERSAL 28/30 AWG CATEGORY 6 JACK MODULE. GREEN WIRE CAP IS COLOR CODED FOR T568A AND T568B WIRING SCHEMES.	1.53 LB/100 PCS (695g/100 PCS)

*WEIGHT IS APPROXIMATE
**JACK COLOR SUFFIX

NOTES:

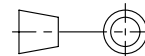
1. GREEN WIRE CAP AND STRAIN CLIP DESIGNATE 28/30 AWG, CATEGORY 6 PERFORMANCE.
2. TO DESIGNATE A JACK COLOR, ADD A TWO LETTER COLOR SUFFIX. SEE CURRENT CATALOG FOR AVAILABLE PART NUMBER SUFFIXES.
3. MATERIAL:
MODULE HOUSING - UL94V-0 ABS
WIRE CAP - UL94V-0 PC
STRAIN RELIEF CLIP - UL94V-0 PC
4. ALL TX6 PLUS CAT6 8 POSITION, 8 WIRE CONNECTOR MODULES ARE UNIVERSAL IN DESIGN. THEY ACCEPT SIX AND EIGHT POSITION MODULAR PLUGS WITHOUT DAMAGE.
5. DIMENSIONS IN BRACKETS ARE IN METRIC.



ACTUAL SIZE

A

PART NUMBER		CJT688TG**	
TITLE			
TX6 PLUS CATEGORY 6 28/30 AWG JACK MODULE			
CUSTOMER DRAWING			
ITEM REVISION NAME		11M309AA/00	
DATASET FILE NAME		11M309AA_DC02/00B	
UNLESS OTHERWISE SPECIFIED, DIMENSIONAL TOLERANCES ARE: IN [mm]		MATERIAL:	
.x ± .xx ± .03 (.8)		SEE NOTE 3	
.xxx ± .010 (.3)		DRAWING NUMBER:	
ANGLES ±		11M309AA-02	
THIRD ANGLE PROJECTION		SHT 1 OF 1	
DRAWN BY	DATE	CHK	SCALE
KSM	11-01-11	MBVE	FULL
REV	DATE	BY	CHK
1	5-30-14	MDJR	REFR
R	11-01-11	KSM	MBVE
APR	DESCRIPTION		ECN
	A. UPDATED TITLE BLOCK.		11M309AA-02
	RELEASED TO PRODUCTION		11M309AA-02



D101000DA/14

2

1