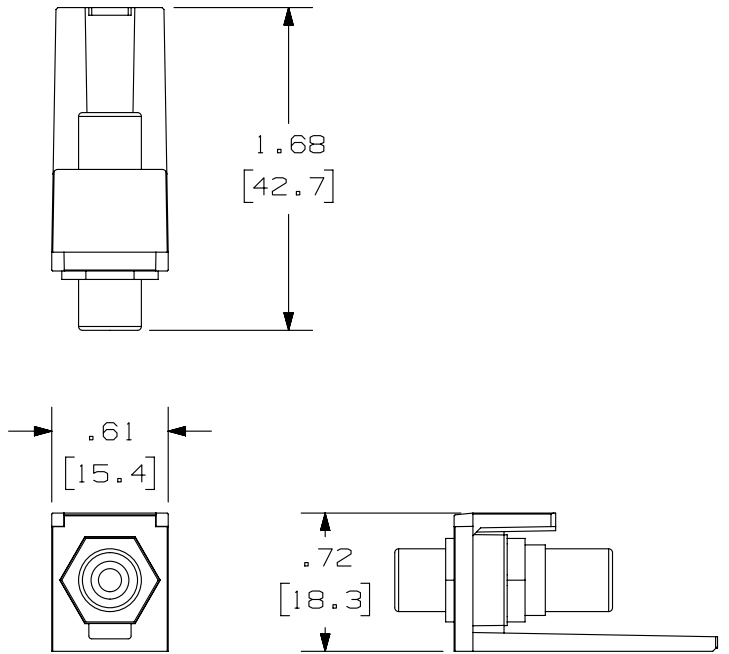
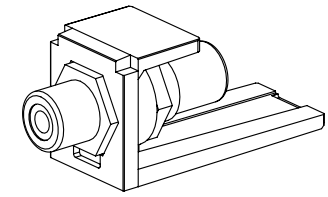


THIS COPY IS PROVIDED ON A RESTRICTED BASIS AND IS NOT TO BE USED IN ANY WAY DETRIMENTAL TO THE INTERESTS OF PANDUIT CORP.

| PANDUIT P/N | WEIGHT |
|-------------|-----------------------------------|
| CMRPR** | .27 LB/10 PCS (122.5 g/10 PCS) |
| CMRPW** | |
| CMRPY** | |
| CMRPB** | |
| CMRPG** | |



- NOTES:
1. SEE CURRENT CATALOG FOR ADDITIONAL PART NUMBER SUFFIXES TO INDICATE COLOR AND OR PACKAGE QUANTITY.
 2. SEE CATALOG FOR COMPLETE LIST OF PARTS APPLICABLE FOR USE WITH THIS PART.
 3. DIMENSIONS IN PARENTHESES ARE IN METRIC.
 4. "***" INDICATES COLOR SUFFIX.



| | | | |
|---|--|------------------|----------|
| PART NUMBER | | CMRPX** | |
| TITLE | | | |
| MINI-COM RCA COUPLER MODULE | | | |
| CUSTOMER DRAWING | | | |
| ITEM REVISION NAME | | M00829AA/01 | |
| DATASET FILE NAME | | M00829AA_DC/01B | |
| UNLESS OTHERWISE SPECIFIED, DIMENSIONAL TOLERANCES ARE: IN [mm] | | MATERIAL: | |
| .x ± .xxx ± .010 [.3] | | MODULE BASE: ABS | |
| .xx ± .03 [.8] | | DRAWING NUMBER: | |
| ANGLES ± | | 00829-03 | |
| THIRD ANGLE PROJECTION | | SHT 1 OF 1 | |
| DRAWN BY | DATE | CHK | SCALE |
| JSP | 3-30-00 | SEZ | NONE |
| REV | DATE | BY | CHK |
| 3 | 5/6/14 | JSP | REFR |
| APR | DESCRIPTION | | ECN |
| MMR | REVISED AND REDRAWN, PREVIOUS REVISIONS HAVE BEEN OMITTED. | | 00829-03 |

D10100DA/14