

**NOTES, UNLESS OTHERWISE SPECIFIED:**

Panduit Tool Number CT-1104 is used to install single and dual wire Panduit insulated and non-insulated loose piece ferrules.

Crimps the following types:

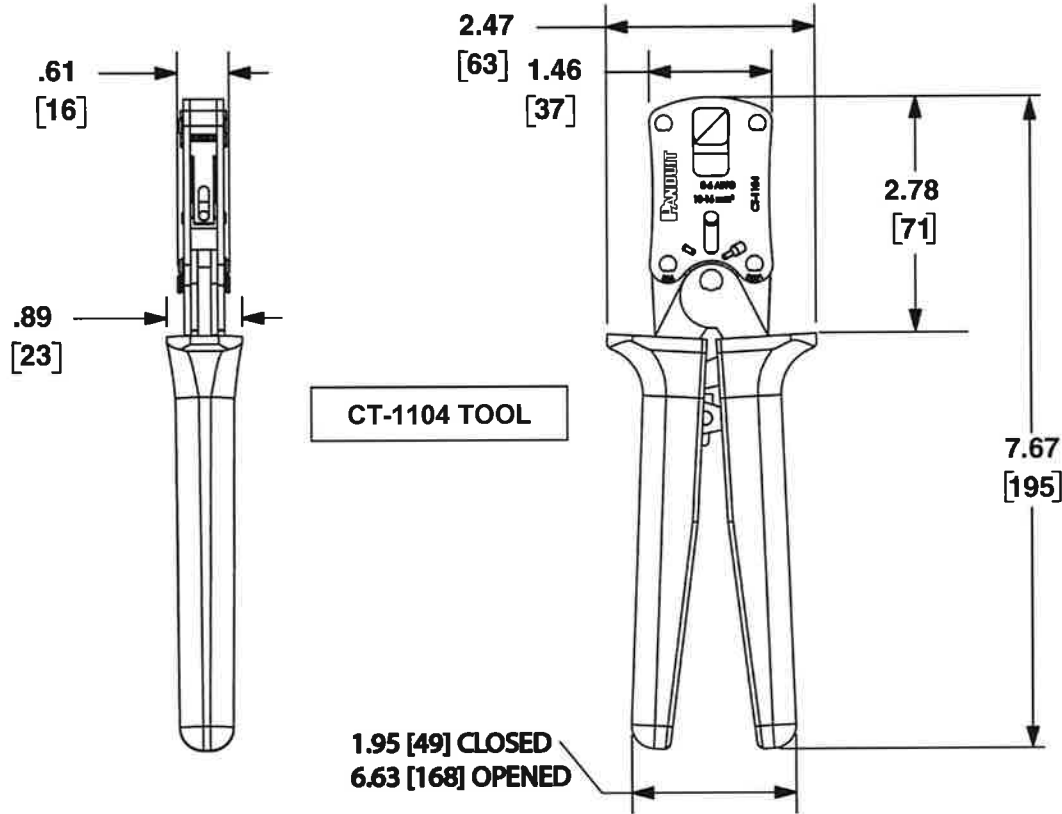
- FTD type: 2 x 10 [6.0mm<sup>2</sup>] AWG insulated ferrules
- FSD and FSF type: #8 [10.0mm<sup>2</sup>] – #6 [16.0mm<sup>2</sup>] AWG insulated ferrules
- F type: #8 [10.0mm<sup>2</sup>] – #6 [16.0mm<sup>2</sup>] AWG non-insulated ferrules

**TOOL FEATURES INCLUDE:**

1. Self-adjusting crimp die for Insulated and non-insulated ferrules. Ferrule size dependent on wire gage. Refer to ferrule packaging for proper ferrule and wire combinations.
2. Controlled cycle mechanism prevents tool from opening before crimp cycle is complete.
3. Manual release lever, push forward in the event that controlled cycle mechanism must be released.
4. Resilient grips to prevent operator fatigue.  
*NOTE: The grips are NOT intended to insulate against electrical shock.*

TOOL WEIGHT: 10.6 oz. (300 gr.)

DIMENSIONS SHOWN IN PARENTHESES ARE MILLIMETERS.



CT-1104 TOOL

1.95 [49] CLOSED  
6.63 [168] OPENED

F:\wrkgpr\rvusers\ENGR\_DOCS\CUSTOMER DRAWINGS\TP25122B01\_02 CT-1104 CD.doc

							<b>CT-1104</b>					
							CUSTOMER DRAWING					
							ITEM REVISION NAME:	<b>PANDUIT</b>				
						TP25122B01_02	SEE NOTES					
02	6-26-14	BLR	<i>BLR</i>	<i>ABJ</i>	UPD TOOL HEAD GRAPHIC	4754		DRAWING NUMBER: TP25122B01				
01	4-02-13	BLR	<i>BJPU</i>	<i>ABJ</i>	UPD TEMPLATE, BRANDING	4609						
00	3-29-06	BLR	<i>SRRE</i>	<i>RFL</i>	RELEASED	4195						
REV	DATE	BY	CHK	APR	DESCRIPTION	ECN	DRAWN BY: BLR	DATE: 3-29-06	CHK SRRE	SCALE NONE	SHT 1 OF 1	SIZE B

UNLESS OTHERWISE SPECIFIED,  
DIMENSIONAL TOLERANCES ARE:  
(.x) ± — (xxx) ± —  
(.xx) ± — ANGLES ± —  
THIRD ANGLE  
PROJECTION

MATERIAL:  
**SEE NOTES**